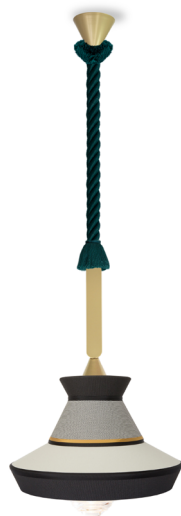


Calypso so outdoor

Servomuto



ANTIGUA



GUADALOUPE



MARTINIQUE



Calypso outdoor è un prodotto con grado di protezione IP65, quindi un vero Outdoor. I tessuti impermeabili ed ignifughi sono adatti a resistere agli agenti atmosferici, alle temperature particolarmente alte o basse che siano, pur mantenendo intatte la qualità dei colori e la sartorialità della fattura del prodotto. I cavi elettrici di alimentazione passano all'interno della corda da marina in tinta verde e del supporto costituito da un pezzo smussato e di forma conica e circolare con finitura laccato oro opaco. La sorgente luminosa è posta all'interno di un cilindro di vetro che è sigillato per garantire il grado di protezione IP65. Il diffusore è in vetro trasparente.

Calypso outdoor is a product with IP65 protection degree, therefore a real Outdoor. Waterproof and fireproof fabrics are suitable to withstand atmospheric agents at particularly high or low temperatures while maintaining the colours and the craftsmanship quality of the product. The electric cables pass through the green coloured marine rope and the supporting frame, which is made of a smoothed solid piece in matt gold lacquered finish. The light source is housed inside a glass cylinder that is sealed to guarantee the IP65 degree of protection. The diffuser is in transparent glass.

SPECIFICHE PRODOTTO / PRODUCT SPECIFICS

p.2

CALYPSO SO OUTDOOR ANTIGUA
CALYPSO SO OUTDOOR GUADALOUPE
CALYPSO SO OUTDOOR MARTINIQUE

p.3
p.4
p.5

STRUTTURA / FRAME



Laccato oro opaco
Gold lacquered



Corda da marina impermeabile
intrecciata in tinta verde
Green waterproof braided rope

DIFFUSORE E PARALUME / *DIFFUSER AND SHADE*



Vetro trasparente
Transparent glass

ANTIGUA



Black



Sale e pepe



Mint

GUADALOUPE



Black



Sale e pepe



Mint

MARTINIQUE



Black



Building



Yellow

MANUTENZIONE E PULIZIA

TESSUTI

I tessuti utilizzati per le collezioni OUTDOOR sono impermeabili e/o idrorepellenti.

Tessuti ignifughi: CLASSE UNO IM - BS EN 1021.1:2006 CIGARETTE TEST - BS EN 1021.2:2006 BUTANE FLAME TEST - NPFA 260:CLASS 1 IMO A0652(16) - CIGARETTE TEST AND BUTANE TEST

Possibilità di regolare l'altezza del cordone. Consultare le istruzioni di montaggio per le informazioni dettagliate.

MAINTENANCE AND CLEANING

FABRICS

The fabrics used for the OUTDOOR collections are waterproof and/or water repellent.

Fire-resistant fabric: CLASSE UNO IM - BS EN 1021.1:2006 CIGARETTE TEST - BS EN 1021.2:2006 BUTANE FLAME TEST - NPFA 260:CLASS 1 IMO A0652(16) - CIGARETTE TEST AND BUTANE TEST

Adjustable rope length. Refer to the installation instructions.

CAVO / CABLE

Corda da marina impermeabile intrecciata in tinta verde
Green waterproof braided rope

H: 2000 mm
H: 78.7"

FONTE LUMINOSA / *LIGHT SOURCE*

220-240V



E27 T8 Tubular LED
1 x 9W E27 T8
Lampadina Tubular LED
Tubular LED bulb
IP65

Compatibile con sistemi di controllo
remoto in caso di utilizzo di lampadine
LED dimmerabili

*Compatible with remote control systems
when dimmable LED bulbs are used*

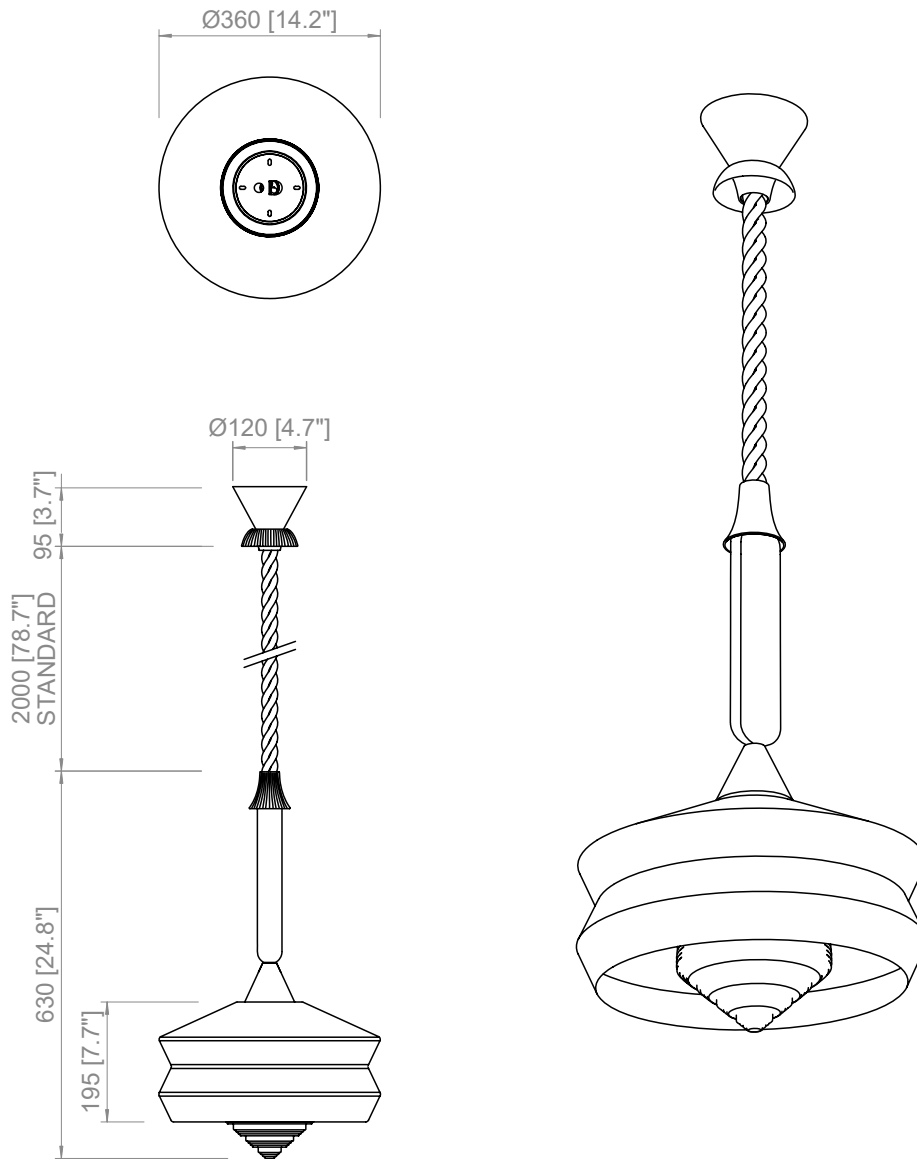


110V



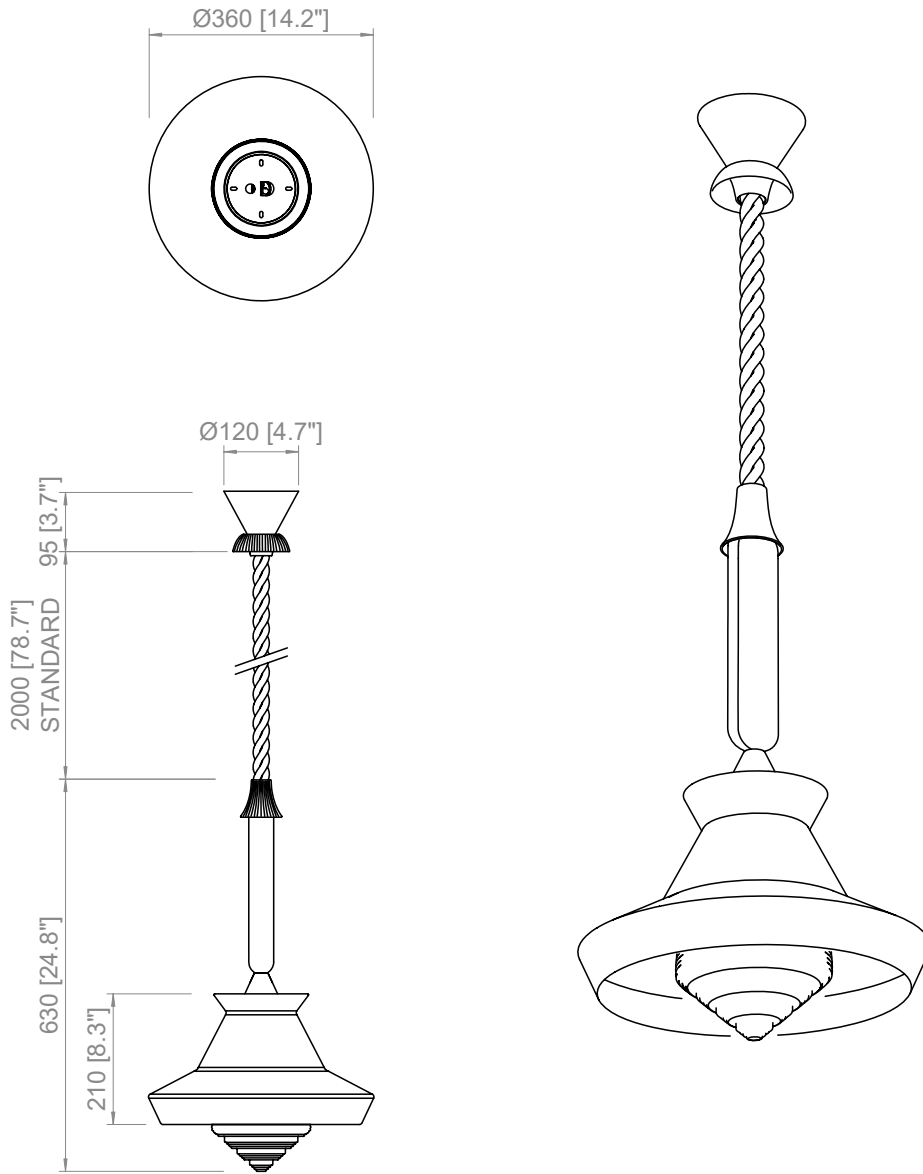
E26 T8 Tubular LED
1 x 9W E26 T8
Tubular LED bulb
IP65

*Compatible with remote control systems
when dimmable LED bulbs are used*



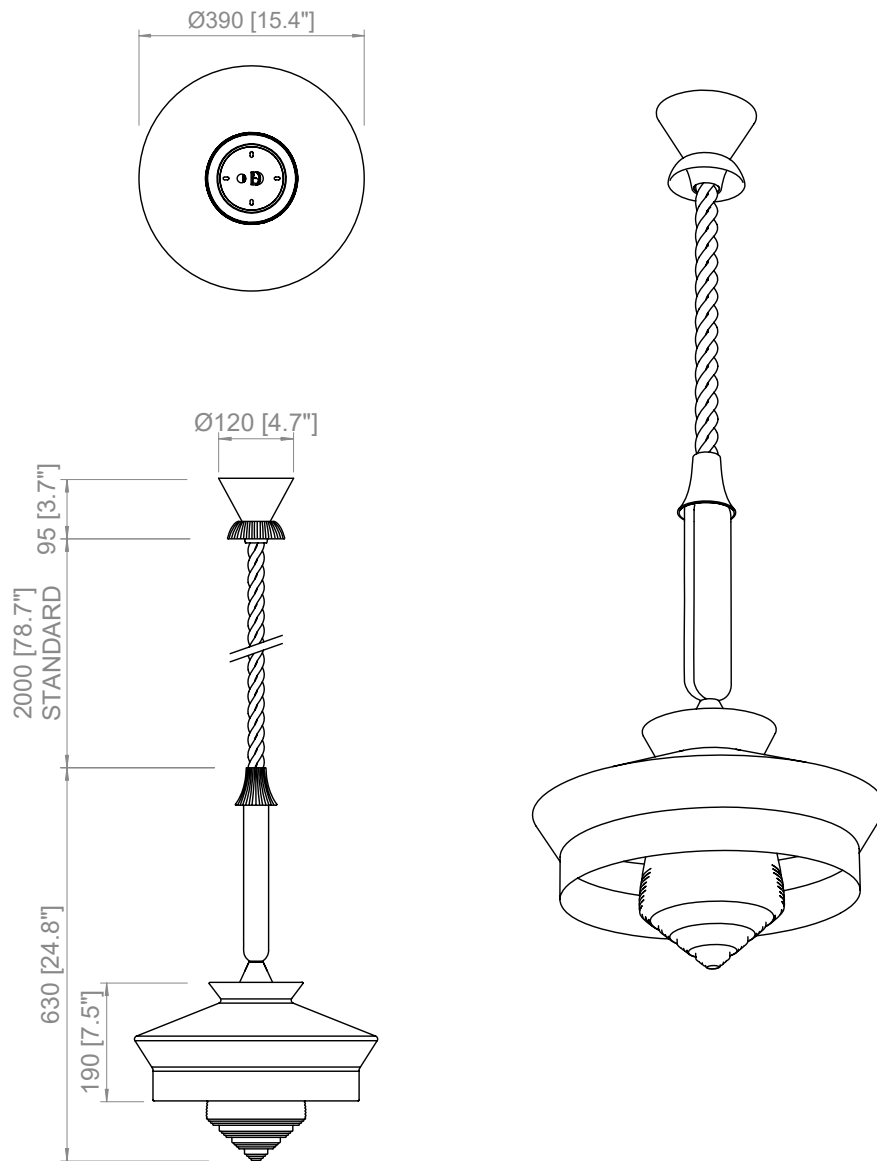
PRODOTTO / PRODUCT IMBALLI / PACKAGING

Peso-Weight	Box 1	Box 2
4 kg / 8.8 lbs	L: 205 mm / 8"	L: 420 mm / 16.5"
	P-W: 475 mm / 18.7"	P-W: 420 mm / 16.5"
	H: 205 mm / 8"	H: 250 mm / 9.8"
	Peso-Weight: 3.5 kg / 7.7 lbs	Peso-Weight: 2.5 kg / 5.5 lbs



PRODOTTO / PRODUCT **IMBALLI / PACKAGING**

Peso-Weight	Box 1	Box 2
4 kg / 8.8 lbs	L: 205 mm / 8"	L: 420 mm / 16.5"
	P-W: 475 mm / 18.7"	P-W: 420 mm / 16.5"
	H: 205 mm / 8"	H: 250 mm / 9.8"
	Peso-Weight: 3.5 kg / 7.7 lbs	Peso-Weight: 2.5 kg / 5.5 lbs



PRODOTTO / PRODUCT **IMBALLI / PACKAGING**

Peso-Weight	Box 1	Box 2
4 kg / 8.8 lbs	L: 205 mm / 8"	L: 420 mm / 16.5"
	P-W: 475 mm / 18.7"	P-W: 420 mm / 16.5"
	H: 205 mm / 8"	H: 250 mm / 9.8"
	Peso-Weight: 3.5 kg / 7.7 lbs	Peso-Weight: 2.5 kg / 5.5 lbs

Copyright and/or design rights subsist in this drawing. No part of this drawing may be reproduced in any material form (including photocopying or storing in any medium electronic means, whether or not intentionally and whether or not as part or a larger publication) without the express permission of the copyright owner, Contardi Lighting S.r.l.. Further and without prejudice to the above, this drawing and all information relating thereto is confidential, and shall not be communicated to a third party without the consent of Contardi lighting srl. Contardi lighting srl asserts all rights to be identified as the author of the work and otherwise.

WARNING: The doing of any unauthorised act in relation to a copyright work may result in both a civil claim for damages and criminal prosecution.

CONTARDI LIGHTING Srl

ITALY HEADQUARTERS

contardi-italia.com / sales@contardi-italia.it

CONTARDI USA Inc

USA BRANCH

contardi-usa.com / office@contardi-usa.com

