

# Melanocetus

Tristan Auer



PL



PL DOUBLE



“La lampada che ho sempre sognato di fare.” Con queste parole Tristan Auer descrive il progetto Melanocetus disegnato per Contardi. Linee essenziali, purezza ed equilibrio per un segno riconoscibile nell’ambiente ed un’illuminazione pensata. Disponibile in due finiture e due versioni, singola e doppia, entrambe orientabili. I faretto, uno dei quali ruota di 350°, conferiscono una luce diretta ed indiretta.

*“The lamp that I have always dreamed to design”. With these words Tristan Auer describes the Melanocetus project designed for Contardi. Essential lines, purity and balance for a recognizable sign in the environment and a designed lighting. Available in two finishes and two versions, single and double, both adjustable. The spotlights, one of which rotates 350°, give a direct and indirect light.*

SPECIFICHE PRODOTTO / PRODUCT SPECIFICS

p2

MELANOCETUS PL

p3

MELANOCETUS PL DOUBLE

p4

**STRUTTURA / FRAME**

Nero opaco  
con dettaglio oro satinato  
*Matt black  
with satin gold detail*



Oro satinato  
con dettaglio nero opaco  
*Satin gold  
with matt black detail*

**DIFFUSORE / DIFFUSER**

Plexiglass satinato  
*Satin plexiglass*

**FONTE LUMINOSA / LIGHT SOURCE****220-240V**

GU10 LED

**PL**

2 x 7.5W GU10  
Lampadine LED dimmerabili incluse  
*Dimmable LED light bulbs included*  
Emissione / Light emission: 2 x 650 Lm  
3.000 K; CRI: >90  
IP20

**PL DOUBLE**

4 x 7.5W  
Lampadine LED dimmerabili incluse  
*Dimmable LED light bulbs included*  
Emissione / Light emission: 4 x 650 Lm  
3.000 K; CRI: >90  
IP20

Compatibile con sistemi di controllo  
remoto in caso di utilizzo di lampadine  
LED dimmerabili

*Compatible with remote control systems  
when dimmable LED bulbs are used*

**110V**

GU10 LED

**PL**

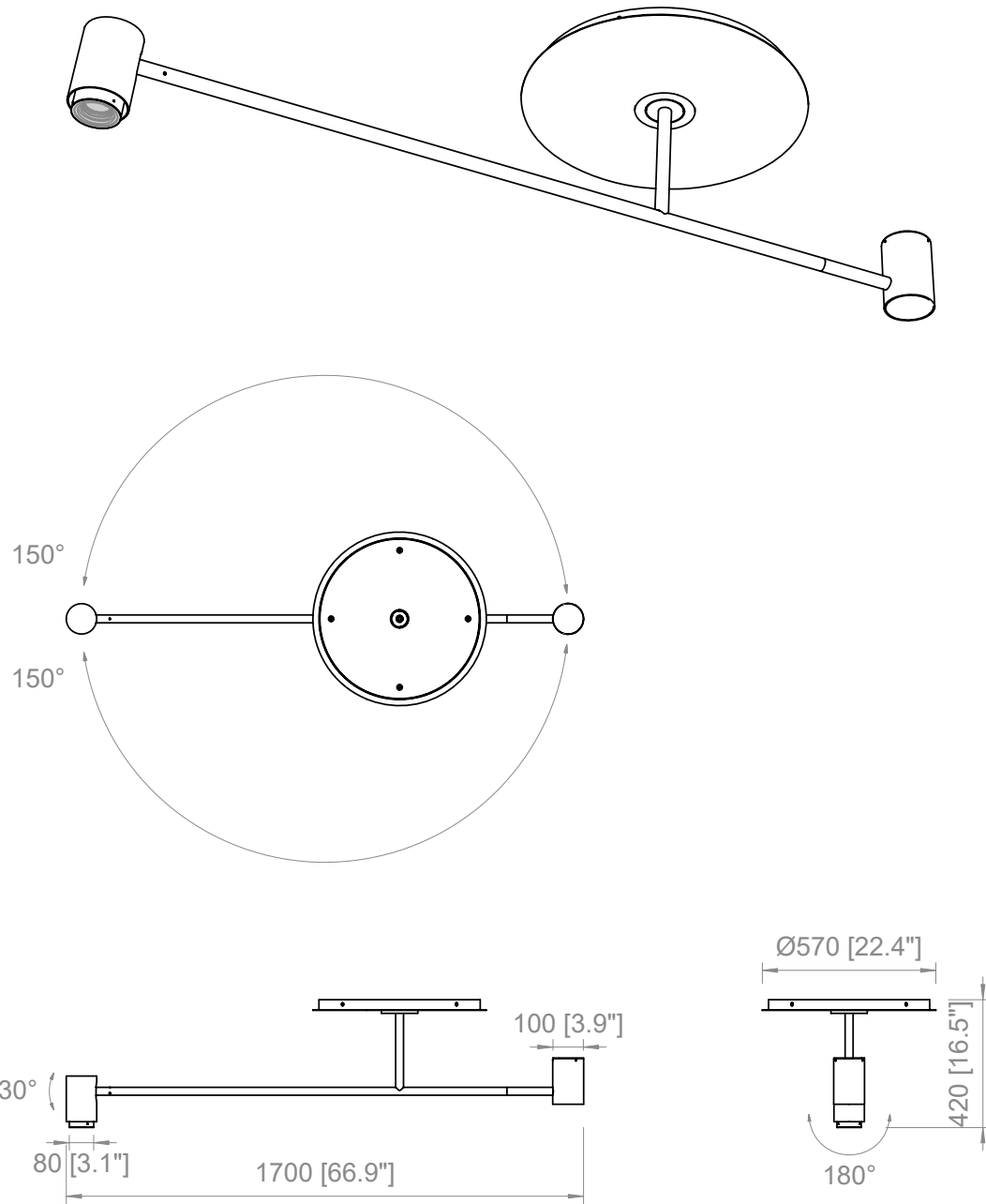
2 x 7.5W GU10  
Dimmable LED light bulbs  
Light emission: 2 x 650 Lm  
3.000 K; CRI: >90  
IP20

**PL DOUBLE**

4 x 7.5W  
Dimmable LED light bulbs  
Light emission: 4 x 650 Lm  
3.000 K; CRI: >90  
IP20

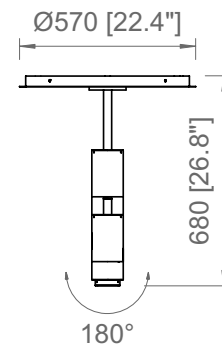
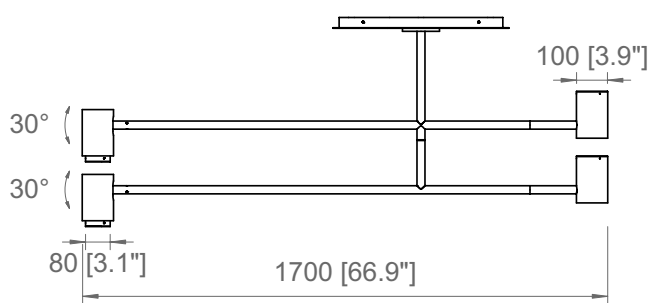
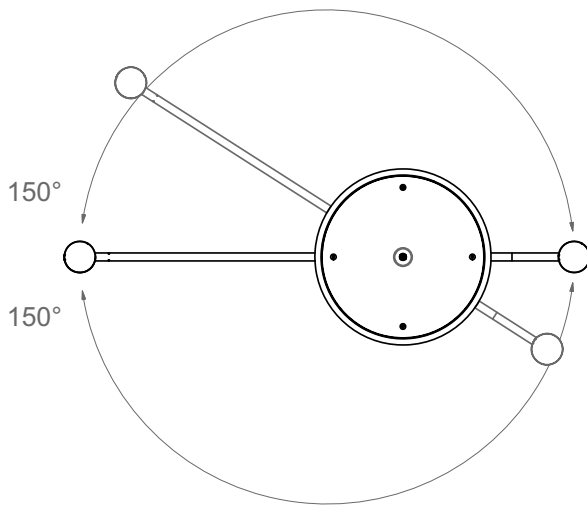
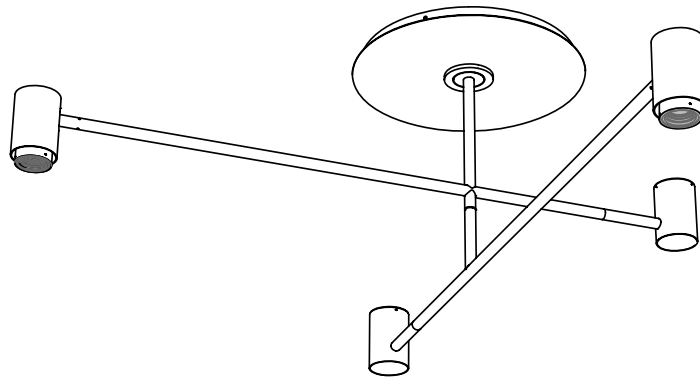
*Compatible with remote control systems  
when dimmable LED bulbs are used*





**PRODOTTO / PRODUCT**   **IMBALLI / PACKAGING**

<b>Peso-Weight</b> 18.9 kg / 41.8 lbs	<b>Box 1</b>	<b>Box 1</b>
	L: 1798 mm / 70.8" P-W: 678 mm / 26.7" H: 172 mm / 6.8" Peso-Weight: 10.4 kg / 23.1 lbs	L: 675 mm / 26.6" P-W: 675 mm / 26.6" H: 134 mm / 5.3" Peso-Weight: 11.4 kg / 25.3 lbs



**PRODOTTO / PRODUCT**    **IMBALLI / PACKAGING**

<b>Peso-Weight</b> 24 kg / 52.9 lbs	<b>Box 1</b>	<b>Box 1</b>
	L: 1798 mm / 70.8" P-W: 678 mm / 26.7" H: 172 mm / 6.8" Peso-Weight: 16 kg / 35.3 lbs	L: 675 mm / 26.6" P-W: 675 mm / 26.6" H: 134 mm / 5.3" Peso-Weight: 11.4 kg / 25.3 lbs

Copyright and/or design rights subsist in this drawing. No part of this drawing may be reproduced in any material form (including photocopying or storing in any medium electronic means, whether or not intentionally and whether or not as part or a larger publication) without the express permission of the copyright owner, Contardi Lighting S.r.l.. Further and without prejudice to the above, this drawing and all information relating thereto is confidential, and shall not be communicated to a third party without the consent of Contardi lighting srl. Contardi lighting srl asserts all rights to be identified as the author of the work and otherwise.

WARNING: The doing of any unauthorised act in relation to a copyright work may result in both a civil claim for damages and criminal prosecution.

---

**CONTARDI LIGHTING Srl**

ITALY HEADQUARTERS

[www.contardi-italia.com](http://www.contardi-italia.com) / [sales@contardi-italia.it](mailto:sales@contardi-italia.it)

**CONTARDI USA Inc**

USA BRANCH

[www.contardi-usa.com](http://www.contardi-usa.com) / [sales@contardi-usa.com](mailto:sales@contardi-usa.com)