

Solitario

Marcello Colli & Maurizio Di Mauro



PL



AP MINI



SO



Solitario è prima di tutto un sistema personalizzabile. Ideale da solista in un angolo tranquillo o raggruppata in una zona pranzo, questa lampada a sospensione può diventare un sistema in cui numerose sorgenti luminose vengono diffuse da un unico rosone, creando diverse possibilità di utilizzo e valorizzando la bellezza degli interni. Ora disponibile in una nuova versione a parete, anche IP44.

Solitario is first and foremost a customisable system. Ideal as a solo statement in a quiet corner or grouped together over a dining area, this suspension light can become a system where numerous light sources are diffused from a single ceiling rose, creating various possibilities of use while enhancing the beauty of the interiors. Now available in a new wall-mounted version, also IP44.

SPECIFICHE PRODOTTO / PRODUCT SPECIFICS

p.2

SOLITARIO PL H.10
SOLITARIO PL H.25

p.3
p.4

SOLITARIO AP MINI / AP MINI IP44

p.5

SOLITARIO SO
SOLITARIO SO - ATTACCO PER CONTROSOFFITTO / CONNECTION FOR FALSE CEILING
SOLITARIO SO - ACCESSORI / ACCESSORIES

p.6
p.7
p.8

SOLITARIO - SFERE / SPHERES

p.9

STRUTTURA / FRAME

Bronzo spazzolato chiaro opaco
Matt light satin bronze



Laccato nero seta opaco
Matt black silk lacquered

DIFFUSORE / DIFFUSER

Sfera vetro acidato Ø120 mm
Sphere Ø120 mm
acid-etched glass



Sfera vetro acidato Ø200 mm
Sphere Ø200 mm
acid-etched glass



FLOOD
Luce diffusa
Diffused light

CAVO - INTERRUTTORE / CABLE - SWITCH

SO
Tessuto grigio
Grey fabric

L: 4000 mm
L: 157.5"

FONTE LUMINOSA / LIGHT SOURCE**220-240V**

GU10 LED

PL / SO

1 x 7.5W GU10

Lampadina LED dimmerabile inclusa

Dimmable LED light bulb included

Emissione / Light emission: 650 Lm

3.000 K; CRI: >90

IP20



E27 T8 LED

AP MINI

1 x 10W E27 T8

Lampadina Tubular LED

Tubular LED bulb

IP20

G9 LED

AP MINI IP44

1 x 7W G9

Lampadina LED

LED light bulb

IP44

**PL / AP MINI / SO**

Compatibile con sistemi di controllo
remoto in caso di utilizzo di lampadine
LED dimmerabili

*Compatible with remote control systems
when dimmable LED light bulbs are used*

**110V**

GU10 LED

PL / SO

1 x 7.5W GU10

Dimmable LED light bulb included

Light emission: 650 Lm

3.000 K; CRI: >90

IP20

E27 T8 LED

**AP MINI**

1 x 10W E27 T8

Tubular LED bulb

IP20

G9 LED

AP MINI IP44

1 x 7W G9

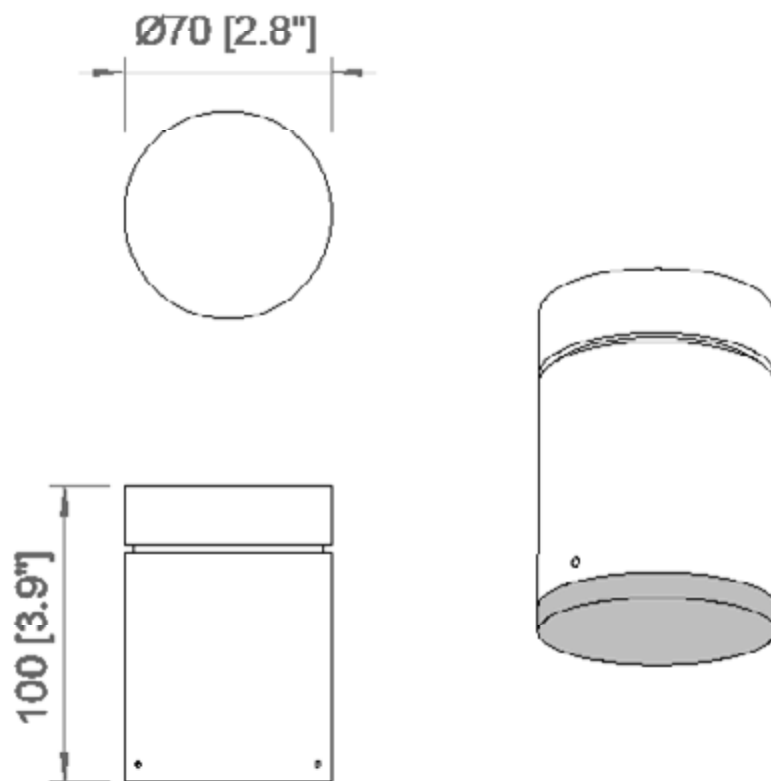
LED light bulb

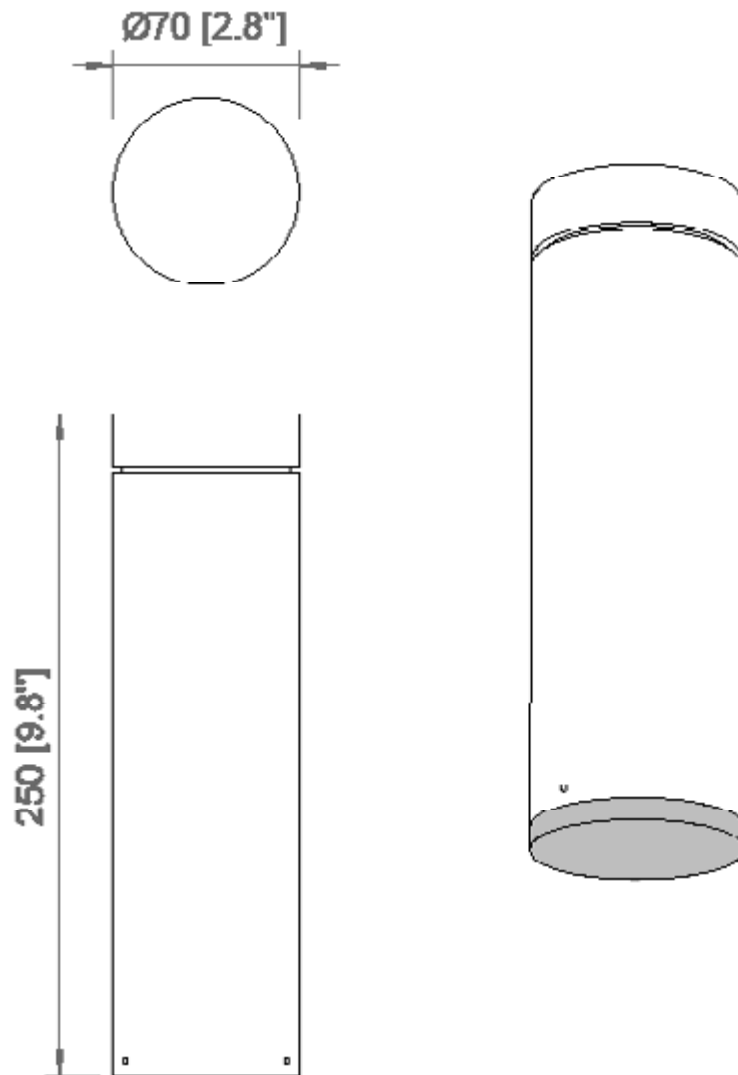
IP44

**PL / AP MINI / SO**

*Phase cut dimming/Triac - 1-10V
dimming system available on
demand*



**PRODOTTO / PRODUCT** **IMBALLI / PACKAGING****Peso-Weight**
0.5 kg / 1.1 lbs**Box 1**
L: 160 mm / 6.3"
P-W: 160 mm / 6.3"
H: 110 mm / 4.3"
Peso-Weight: 1 kg / 2.2 lbs

**PRODOTTO / PRODUCT** **IMBALLI / PACKAGING****Peso-Weight**

1 kg / 2.2 lbs

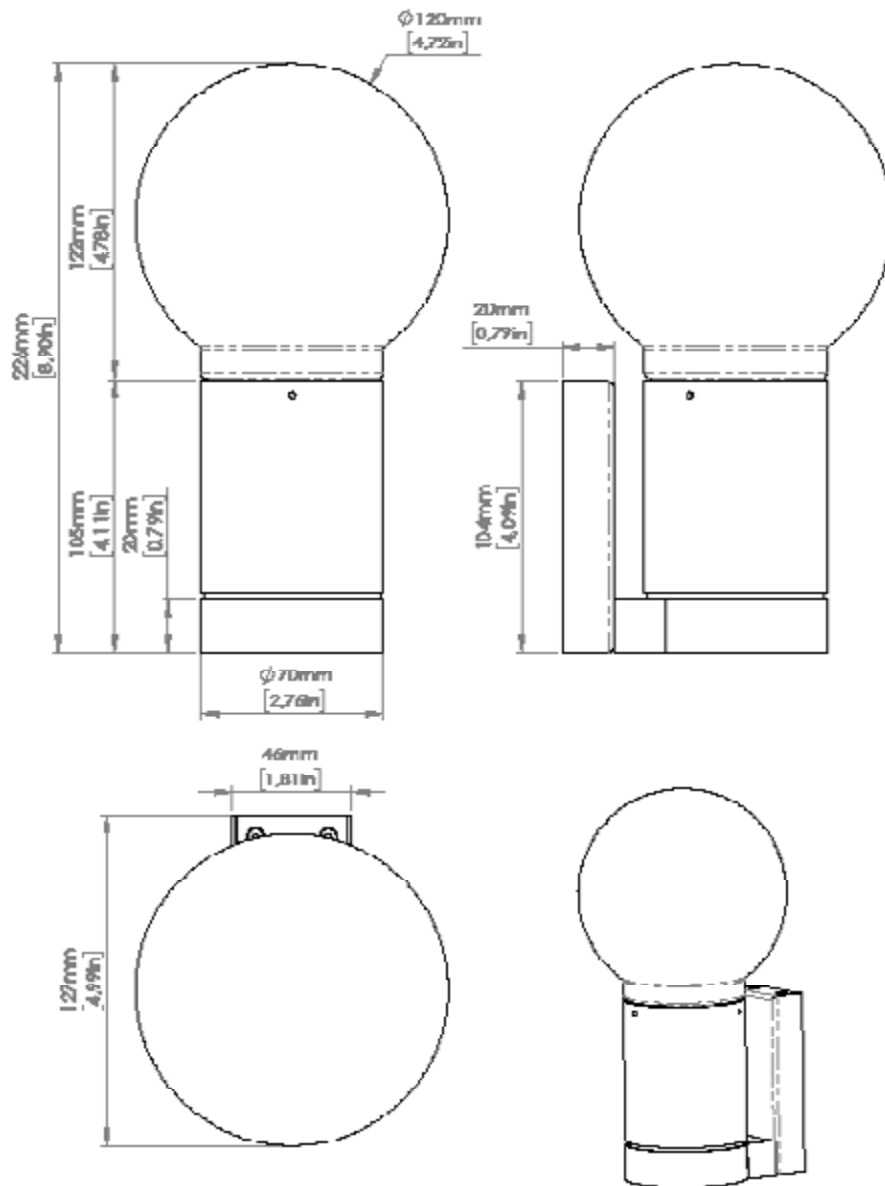
Box 1

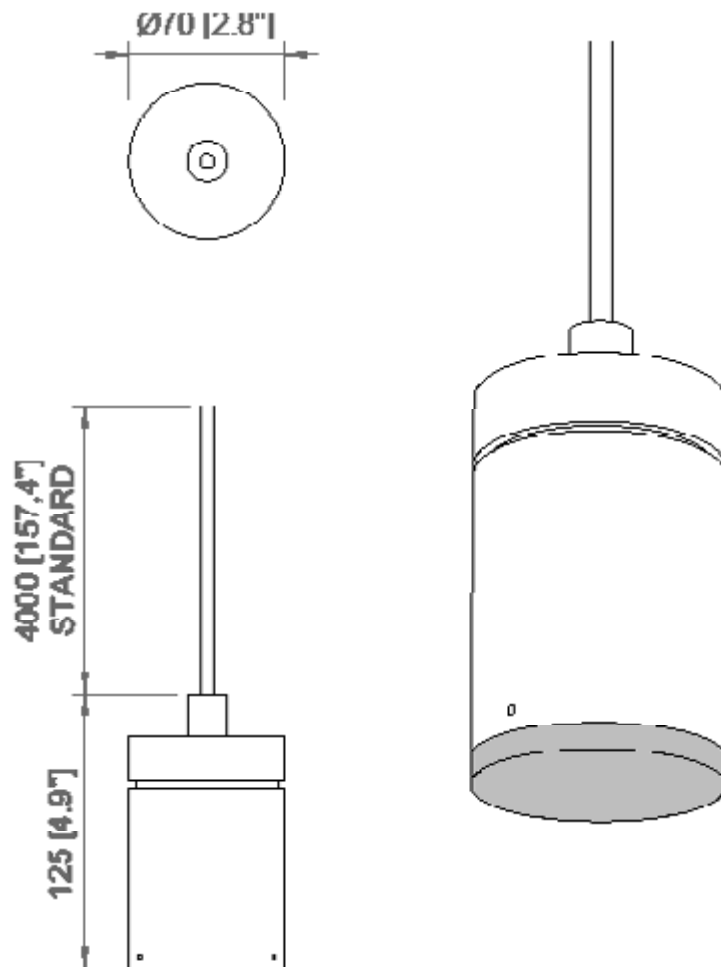
L: 160 mm / 6.3"

P-W: 160 mm / 6.3"

H: 280 mm / 11"

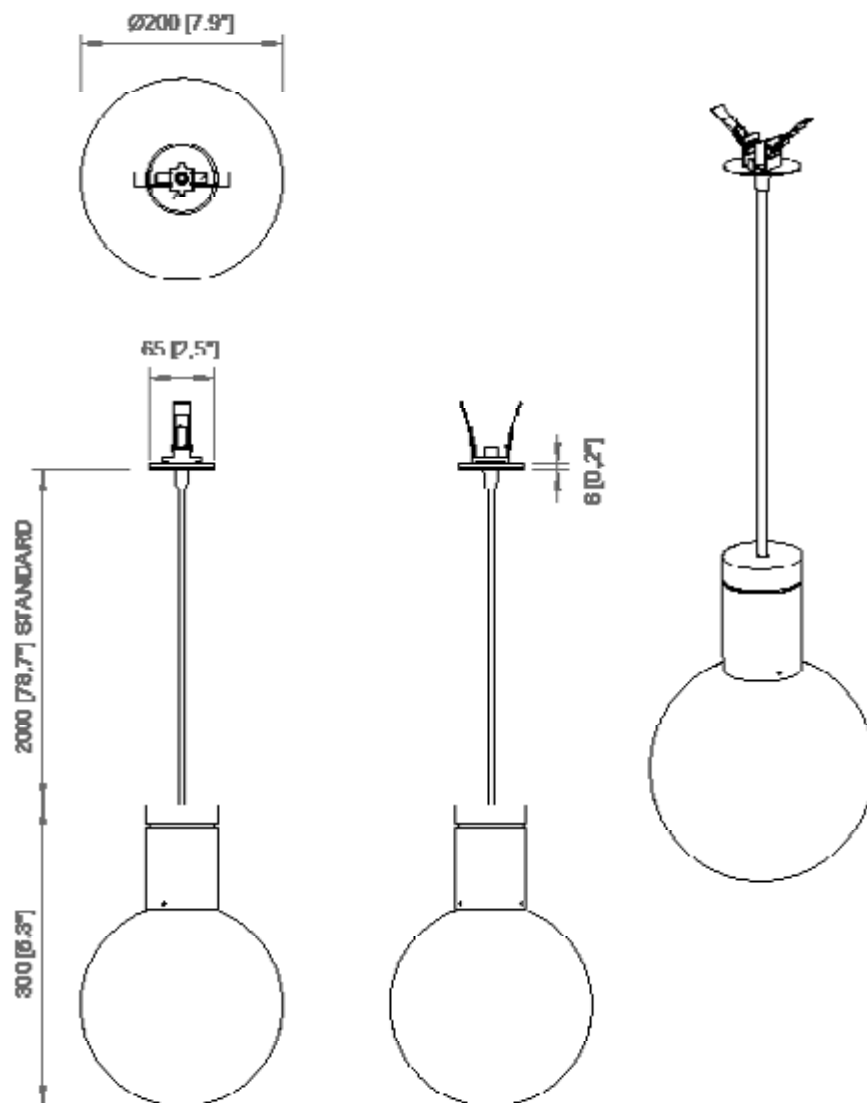
Peso-Weight: 1.5 kg / 3.3 lbs



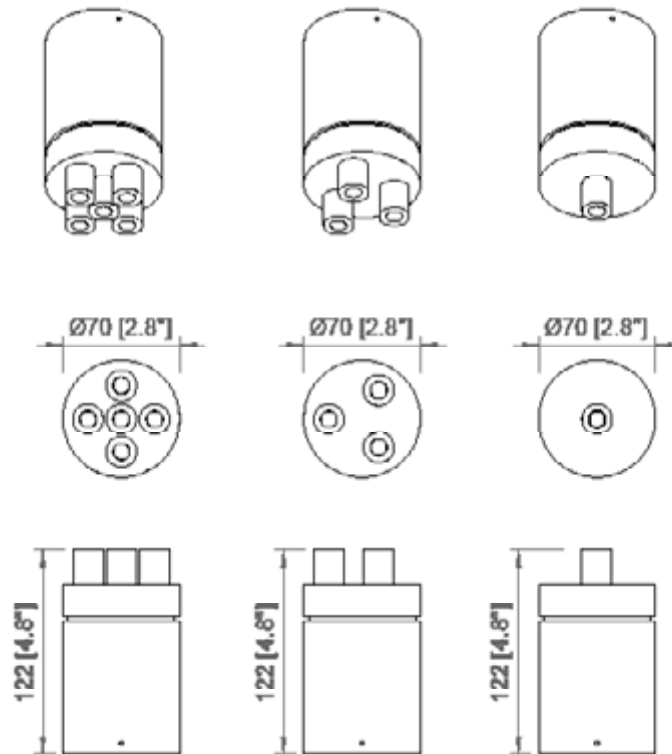


PRODOTTO / PRODUCT **IMBALLI / PACKAGING**

<p>Peso-Weight 1 kg / 2.2 lbs</p>	<p>Box 1 L: 330 mm / 13" P-W: 210 mm / 8.3" H: 120 mm / 4.7" Peso-Weight: 1.5 kg / 3.3 lbs</p>
--	---



ROSONI / CANOPES



CARRUCOLA - BLOCCACAVO / PULLEY - CABLE CLAMP



Rosone - Canopy
 PRODOTTO / PRODUCT IMBALLI / PACKAGING

Peso-Weight
 0.5 kg / 1.1 lbs

Box 1
 L: 150 mm / 6"
 P-W: 150 mm / 6"
 H: 115 mm / 4.5"
 Peso-Weight: 1 kg / 2.2 lbs

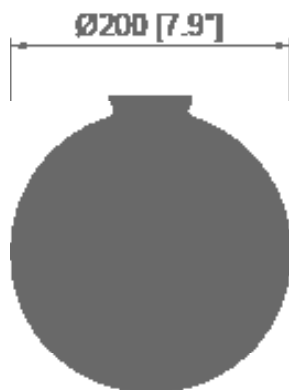
Carrucola - Bloccacavo
 Pulley - Cable clamp
 IMBALLI / PACKAGING

Box 1
 L: 170 mm / 6.7"
 P-W: 170 mm / 6.7"
 H: 200 mm / 7.9"
 Peso-Weight: 1 kg / 2.2 lbs



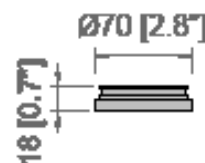
Sfera Ø120 mm
Vetro acidato

Sphere Ø120 mm
Acid-etched glass



Sfera Ø200 mm
Vetro acidato

Sphere Ø200 mm
Acid-etched glass



FLOOD

Sfera Ø120 mm -
Spheres Ø120 mm

PRODOTTO / PRODUCT IMBALLI / PACKAGING

Peso-Weight 0.5 kg / 1.1 lbs	Box 1 L: 190 mm / 7.5" P-W: 190 mm / 7.5" H: 190 mm / 7.5" Peso-Weight: 1 kg / 2.2 lbs
--	---

Sfera Ø200 mm -
Spheres Ø200 mm

PRODOTTO / PRODUCT IMBALLI / PACKAGING

Peso-Weight 0.5 kg / 1.1 lbs	Box 1 L: 270 mm / 10.6" P-W: 270 mm / 10.6" H: 290 mm / 11.4" Peso-Weight: 1 kg / 2.2 lbs
--	--

FLOOD
PRODOTTO / PRODUCT

Peso-Weight 0.5 kg / 1.1 lbs
--

Copyright and/or design rights subsist in this drawing. No part of this drawing may be reproduced in any material form (including photocopying or storing in any medium electronic means, whether or not intentionally and whether or not as part or a larger publication) without the express permission of the copyright owner, Contardi Lighting S.r.l.. Further and without prejudice to the above, this drawing and all information relating thereto is confidential, and shall not be communicated to a third party without the consent of Contardi lighting srl. Contardi lighting srl asserts all rights to be identified as the author of the work and otherwise.

WARNING: The doing of any unauthorised act in relation to a copyright work may result in both a civil claim for damages and criminal prosecution.

CONTARDI LIGHTING Srl

ITALY HEADQUARTERS

www.contardi-italia.com / sales@contardi-italia.it

CONTARDI USA Inc

USA BRANCH

www.contardi-usa.com / sales@contardi-usa.com

