

Babu

Massimiliano Raggi



TEXTILE SMALL



TRIBAL MEDIUM



TEXTILE LARGE



Babu è una collezione da esterni IP65 pensata per sorprendere tracciando un segno luminoso nello spazio. Realizzata attraverso la tecnologia innovativa della stampa digitale tridimensionale su tessuti per esterno che regala profondità e crea interessanti giochi ottici. Disponibile in tre dimensioni e due varianti di trame: Babu Textile con passamaneria in velluto outdoor, nelle colorazioni Arancio, Blu avio e Senape e Babu Tribal con i suoi disegni geometrici sovrapposti. La base è realizzata in acciaio con trattamento di cataforesi laccato effetto champagne (pertanto adatta per l'utilizzo navale). Le lampade sono fornite con connettore IP68. Su richiesta è disponibile l'ancoraggio a terra a seconda del tipo di superficie a cui si vuole fissare.

Babu is an IP65 outdoor collection designed to surprise by tracing a luminous sign in the space. It is made using the innovative technology of three-dimensional digital printing on outdoor fabrics, which gives depth and creates interesting optical games. Available in three sizes and two variations of textures: Babu Textile with outdoor velvet trimmings, in the colours Orange, Blue and Mustard, and Babu Tribal with its overlapping geometric designs. The base is made of champagne painted steel with the cataphoresis treatment (Marine Grade). The lamps are supplied with an IP68 connector. On request, ground anchoring is available depending on the type of surface to be fixed upon.

SPECIFICHE PRODOTTO / PRODUCT SPECIFICS

p.2

BABU SMALL
BABU MEDIUM
BABU LARGE

p.4

p.5

p.6


ANCORAGGIO A PAVIMENTO / FLOOR ANCHORING
ANCORAGGIO A TERRENO / GROUND ANCHORING
ANCORAGGIO A CEMENTO / CEMENT ANCHORING

p.7

p.8


p.9

STRUTTURA / FRAME


 Acciaio laccato effetto champagne, trattamento cataforesi Marine Grade
Champagne painted steel, Marine Grade with cataphoresis treatment


PARALUME / SHADE

 Stampa TEXTILE digitale
3D su tessuto
3D digital TEXTILE printing on fabric

 Passamaneria in velluto outdoor senape
Mustard colour velvet trim - for outdoor use

 Passamaneria in velluto outdoor arancio
Orange colour velvet trim - for outdoor use

 Passamaneria in velluto outdoor blu avio
Aviation blue colour velvet trim - for outdoor use

 Stampa TRIBAL digitale
3D su tessuto
3D digital TRIBAL printing on fabric

NOTE:

1. Fornita solo con connettore IP68. In caso di collegamento con spina, il grado di protezione passa da IP65 a IP44.
2. Rimuovere i diffusori per la pulizia interna e dei diffusori stessi della lampada.
3. Utilizzare un panno umido per pulire la struttura interna.

NOTES:

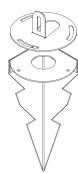
1. Supplied only with IP68 connector. In case of connection with a plug, the degree of protection changes from IP65 to IP44.
2. Remove the shades for cleaning the interior and the diffusers themselves.
3. Use a dry cloth to clean the frame of the lamp.

ANCORAGGIO AL SUOLO / GROUND ANCHORING

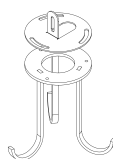
Ancoraggio a pavimento
Floor anchoring

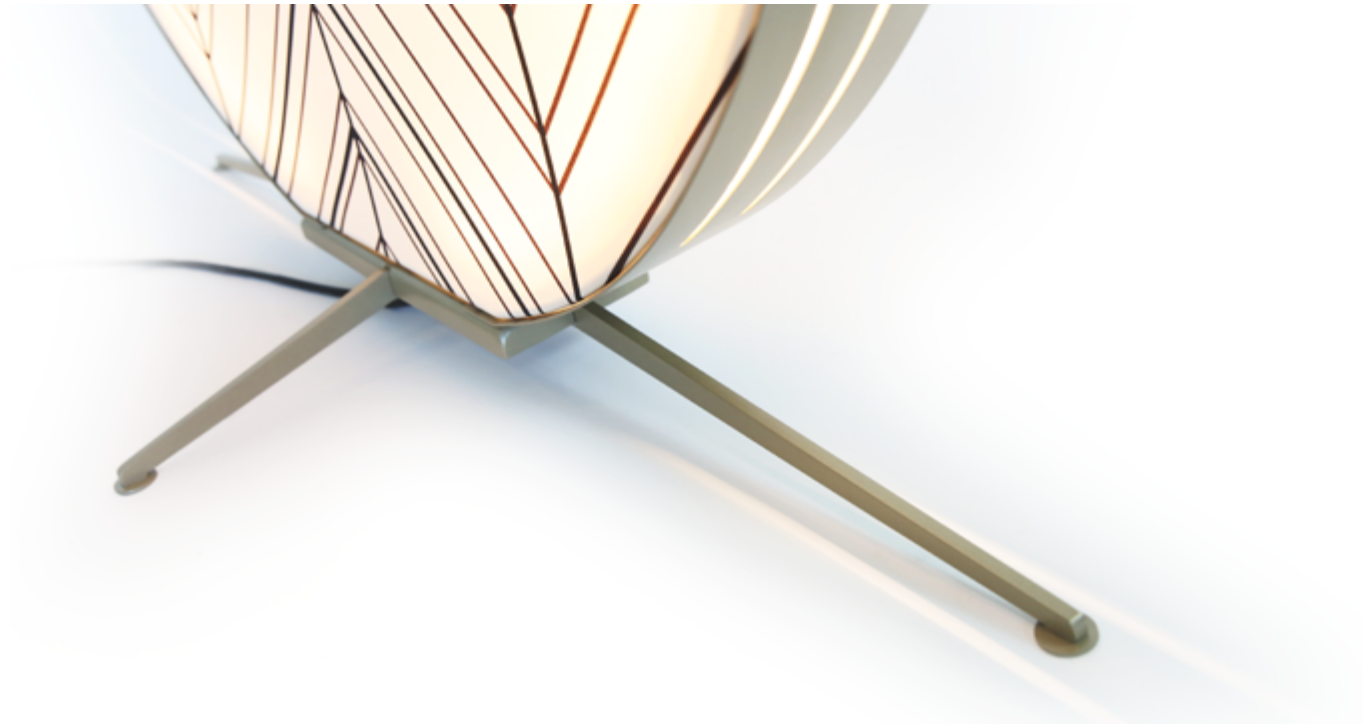


Ancoraggio a terreno
Ground anchoring



Ancoraggio a cemento
Cement anchoring





CAVO / CABLE

Cavo nero
Black cable

Connettore IP68 per esterni
IP68 outdoor connector

L: 2000 mm
L: 78.7"



FONTE LUMINOSA / LIGHT SOURCE

220-240V



Strip LED
IP65



SMALL

1 x 17W

Emissione / Light emission: 1.820 Lm
3.000 K; CRI: >90

MEDIUM

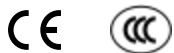
1 x 24W

Emissione / Light emission: 2.600 Lm
3.000 K; CRI: >90

LARGE

1 x 34W

Emissione / Light emission: 3.640 Lm
3.000 K; CRI: >90



110V



Strip LED
IP65



SMALL

1 x 17W

Light emission: 1.820 Lm
3.000 K; CRI: >90

MEDIUM

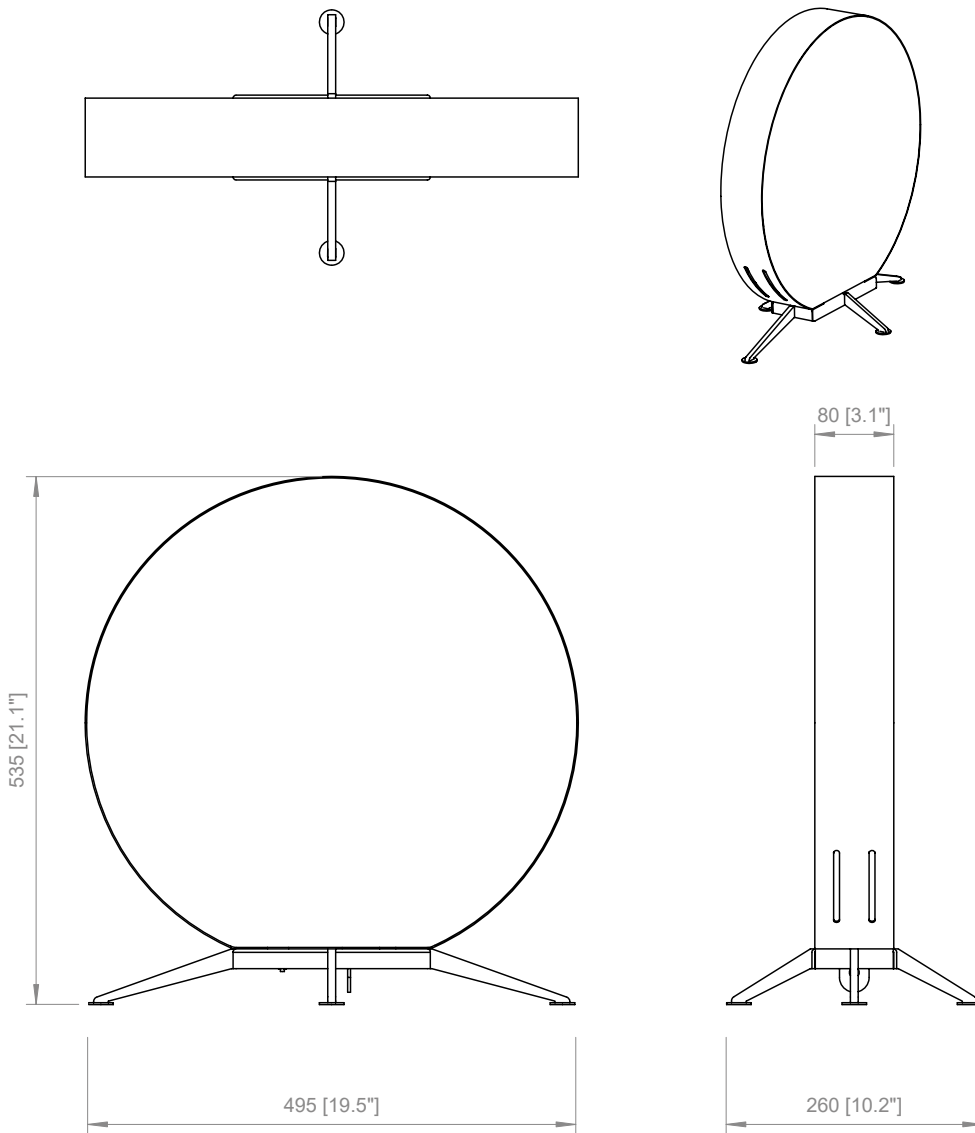
1 x 24W

Light emission: 2.600 Lm
3.000 K; CRI: >90

LARGE

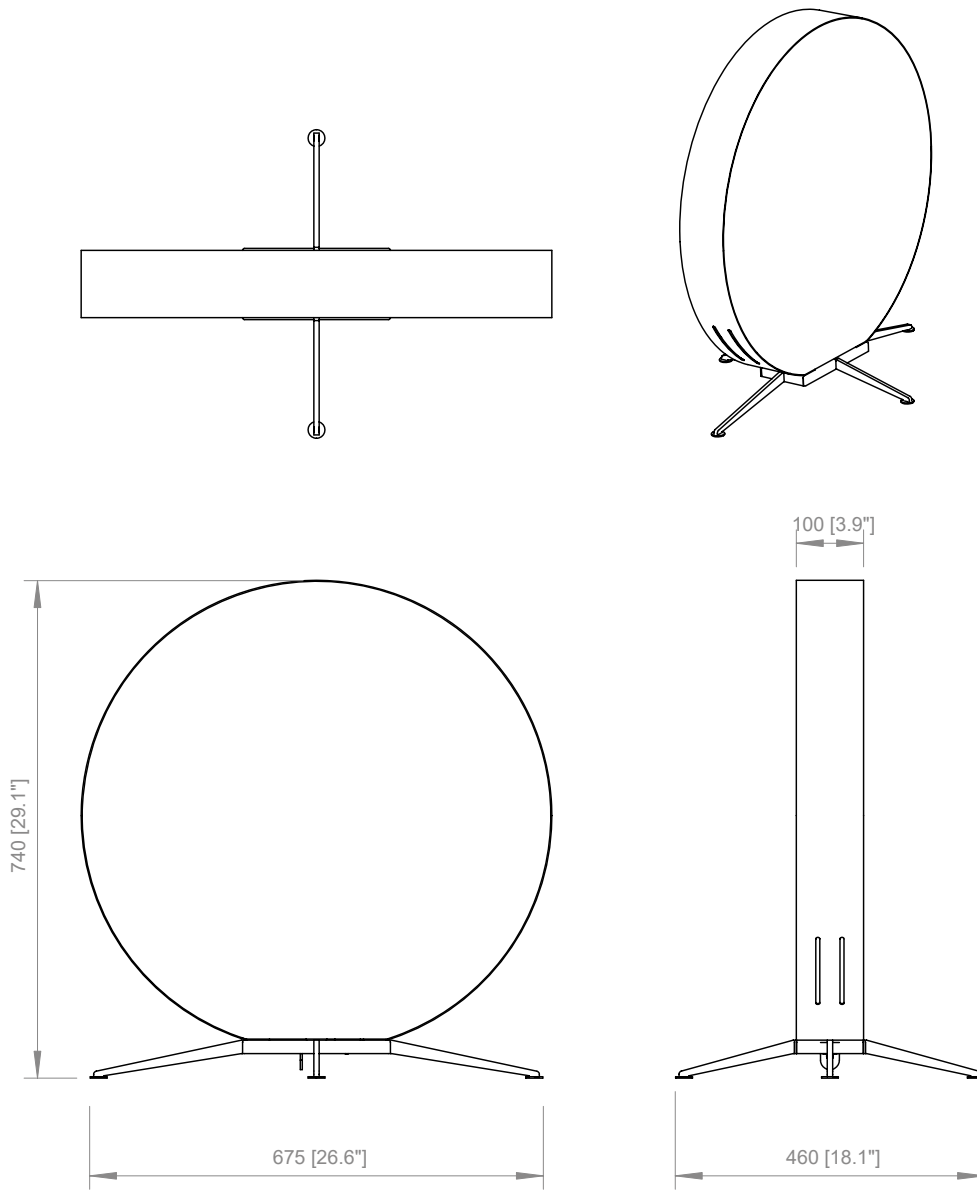
1 x 34W

Light emission: 3.640 Lm
3.000 K; CRI: >90



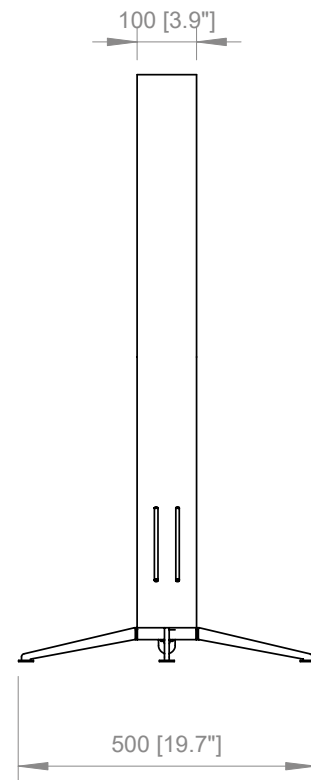
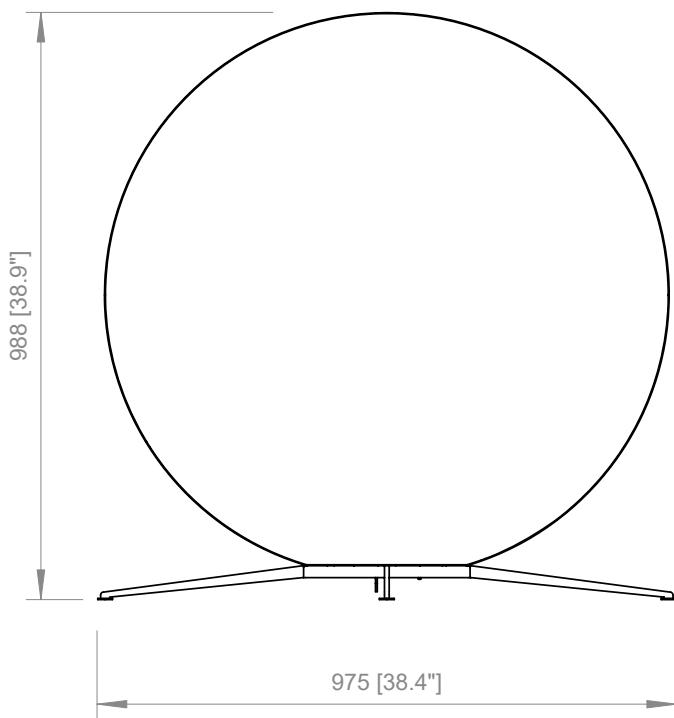
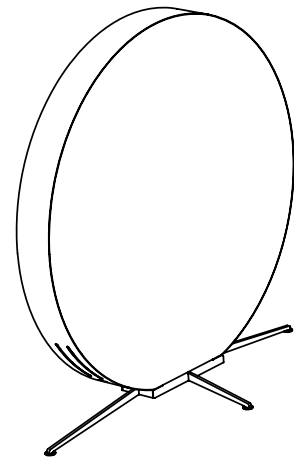
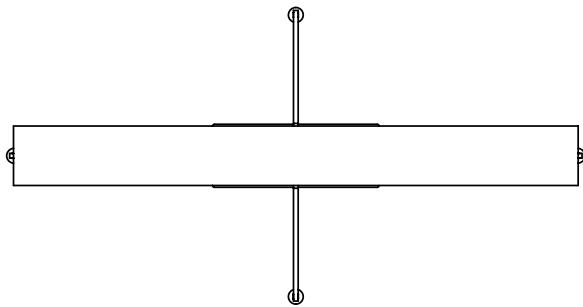
PRODOTTO / PRODUCT IMBALLI / PACKAGING

Box 1	Box 1	Box 2
6 kg / 13.2 lbs	L: 620 mm / 24.4"	L: 590 mm / 23.2"
	P: 620 mm / 24.4"	P: 550 mm / 23.2"
	H: 150 mm / 5.9"	H: 40 mm / 1.6"
	Peso: 5.5 kg / 12.1 lbs	Peso: 1.5 kg / 3.3 lbs



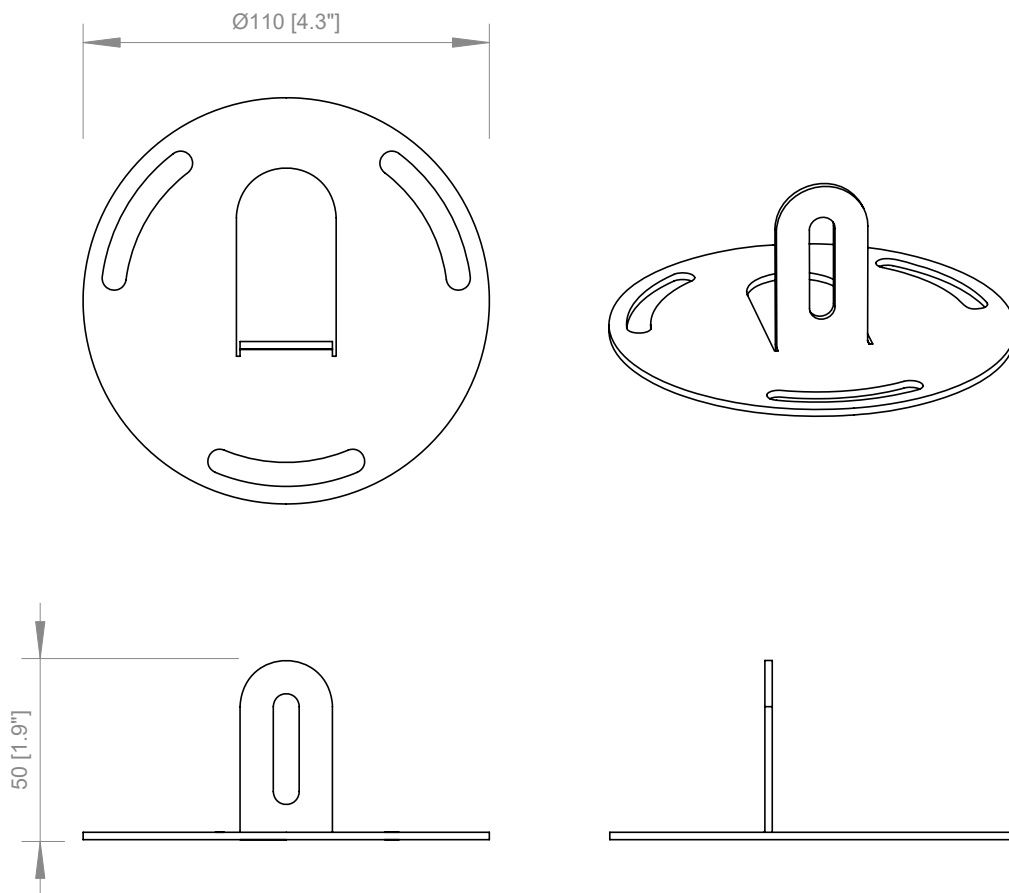
PRODOTTO / PRODUCT **IMBALLI / PACKAGING**

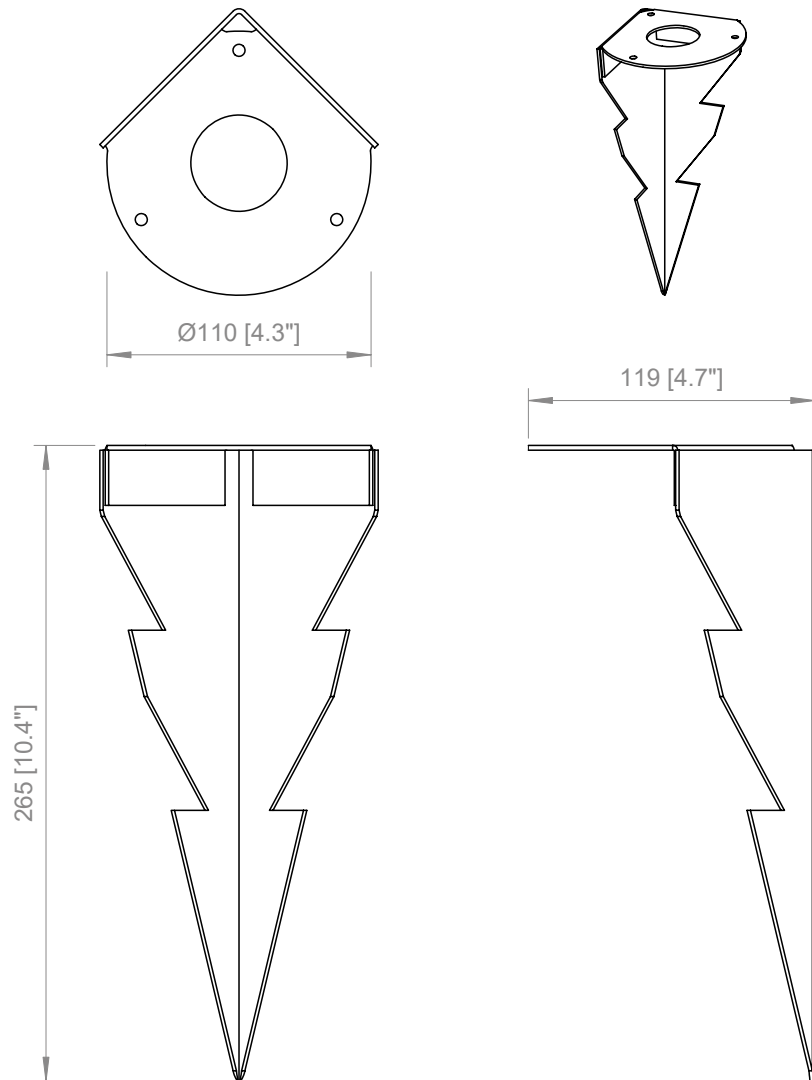
Box 1	Box 1	Box 2
10 kg / 22 lbs	L: 840 mm / 31.5" P: 840 mm / 31.5" H: 170 mm / 6.3" Peso: 8.5 kg / 18.7 lbs	L: 790 mm / 30.9" P: 750 mm / 29.3" H: 40 mm / 1.6" Peso: 2 kg / 4.4 lbs

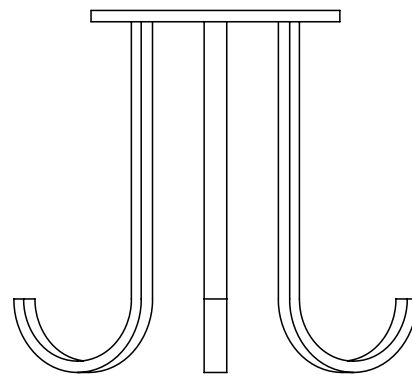
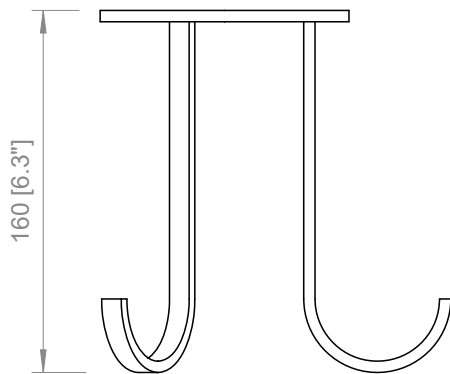
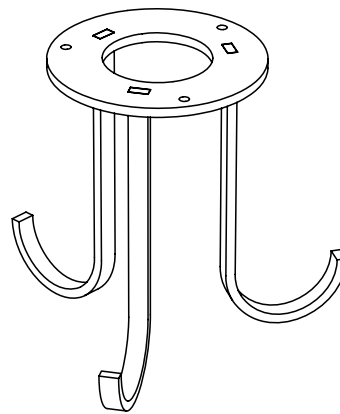
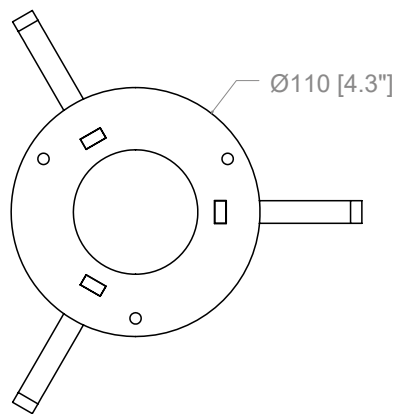


PRODOTTO / PRODUCT **IMBALLI / PACKAGING**

Box 1	Box 1	Box 2
12 kg / 26.4 lbs	L: 1050 mm / 41.3"	L: 1040 mm / 40.9"
	P: 1050 mm / 41.3"	P: 1000 mm / 39.4"
	H: 170 mm / 6.3"	H: 50 mm / 1.9"
	Peso: 11 kg / 24.2 lbs	Peso: 2.5 kg / 5.5 lbs







Copyright and/or design rights subsist in this drawing. No part of this drawing may be reproduced in any material form (including photocopying or storing in any medium electronic means, whether or not intentionally and whether or not as part or a larger publication) without the express permission of the copyright owner, Contardi Lighting S.r.l.. Further and without prejudice to the above, this drawing and all information relating thereto is confidential, and shall not be communicated to a third party without the consent of Contardi lighting srl. Contardi lighting srl asserts all rights to be identified as the author of the work and otherwise.

WARNING: The doing of any unauthorised act in relation to a copyright work may result in both a civil claim for damages and criminal prosecution.

CONTARDI LIGHTING Srl

ITALY HEADQUARTERS

www.contardi-italia.com / sales@contardi-italia.it

CONTARDI USA Inc

USA BRANCH

www.contardi-usa.com / sales@contardi-usa.com

