

Cube

Massimiliano Raggi



SMALL



LARGE



Lanterna da appoggio in due dimensioni. La struttura esterna in materiale composito viene finita in bronzo, attraverso le nuove tecniche di verniciatura con polveri di metallo: risulta impossibile dire se è metallo o un altro materiale, l'effetto è quello del bronzo spazzolato. La parte interna della lanterna è in metallo laccato oro, che crea un elegante contrasto. Il vetro rigato da cui esce la luce arricchisce il prodotto.

Lanterns available in two dimensions. The external structure in composite material is finished in bronze through new painting techniques with metal powders: it is impossible to tell if it is metal or not, the effect is that of satin bronze. The inner part of the lantern is in gold painted metal which creates an elegant contrast. The striped glass from which the light comes out enriches the product.

SPECIFICHE PRODOTTO / PRODUCT SPECIFICS

p.2

CUBE SMALL

p.3

CUBE LARGE

p.4

STRUTTURA / FRAME



Esterno: bronzo spazzolato
Interno: laccato oro
*Outside: satin bronze
Inside: gold lacquered*

DIFFUSORE / DIFFUSER



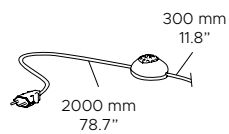
Plexiglass rigato
Striped plexiglass

CAVO - INTERRUTTORE / CABLE - SWITCH

Tessuto nero
Black fabric

Interruttore dimmerabile a piede
Foot dimmable switch

L: 300 + 2000
L: 11.8" + 78.7"



FONTE LUMINOSA / LIGHT SOURCE

220-240V



E27 LED

1 x 14W E27
Lampadina LED dimmerabile
Dimmable LED light bulb
IP20



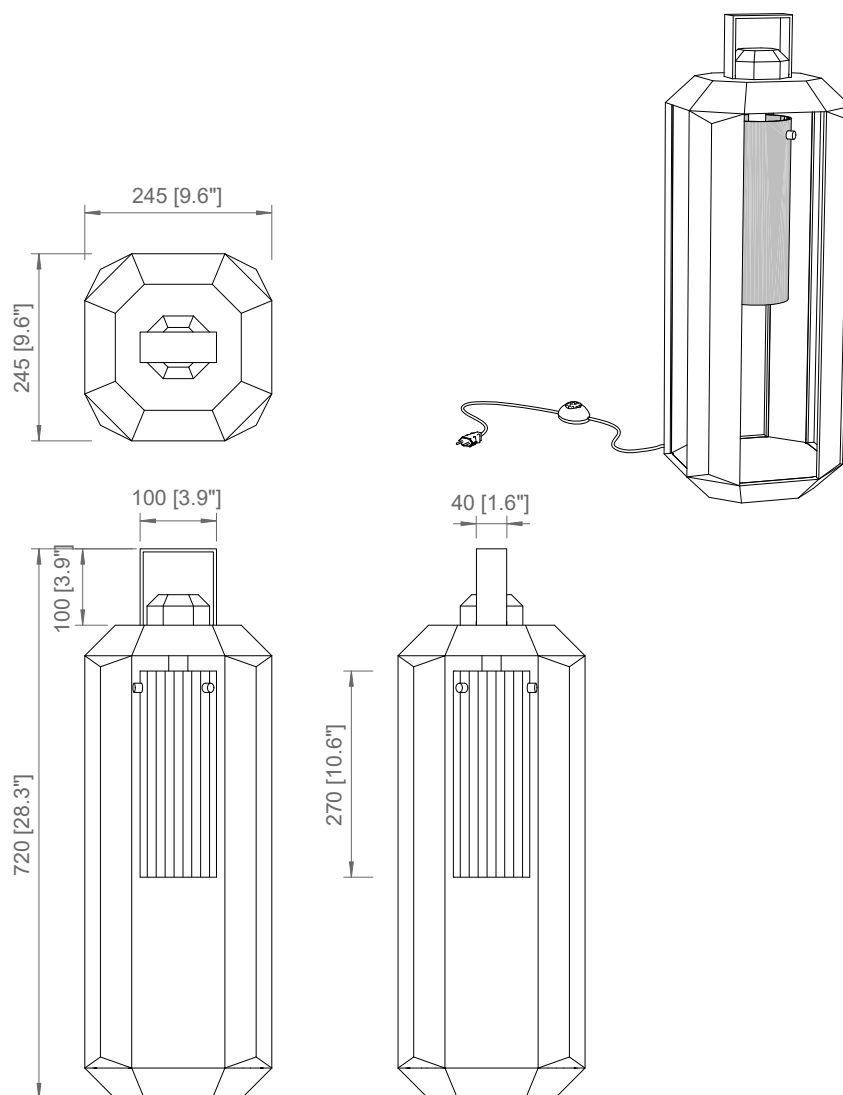
Cube

110V



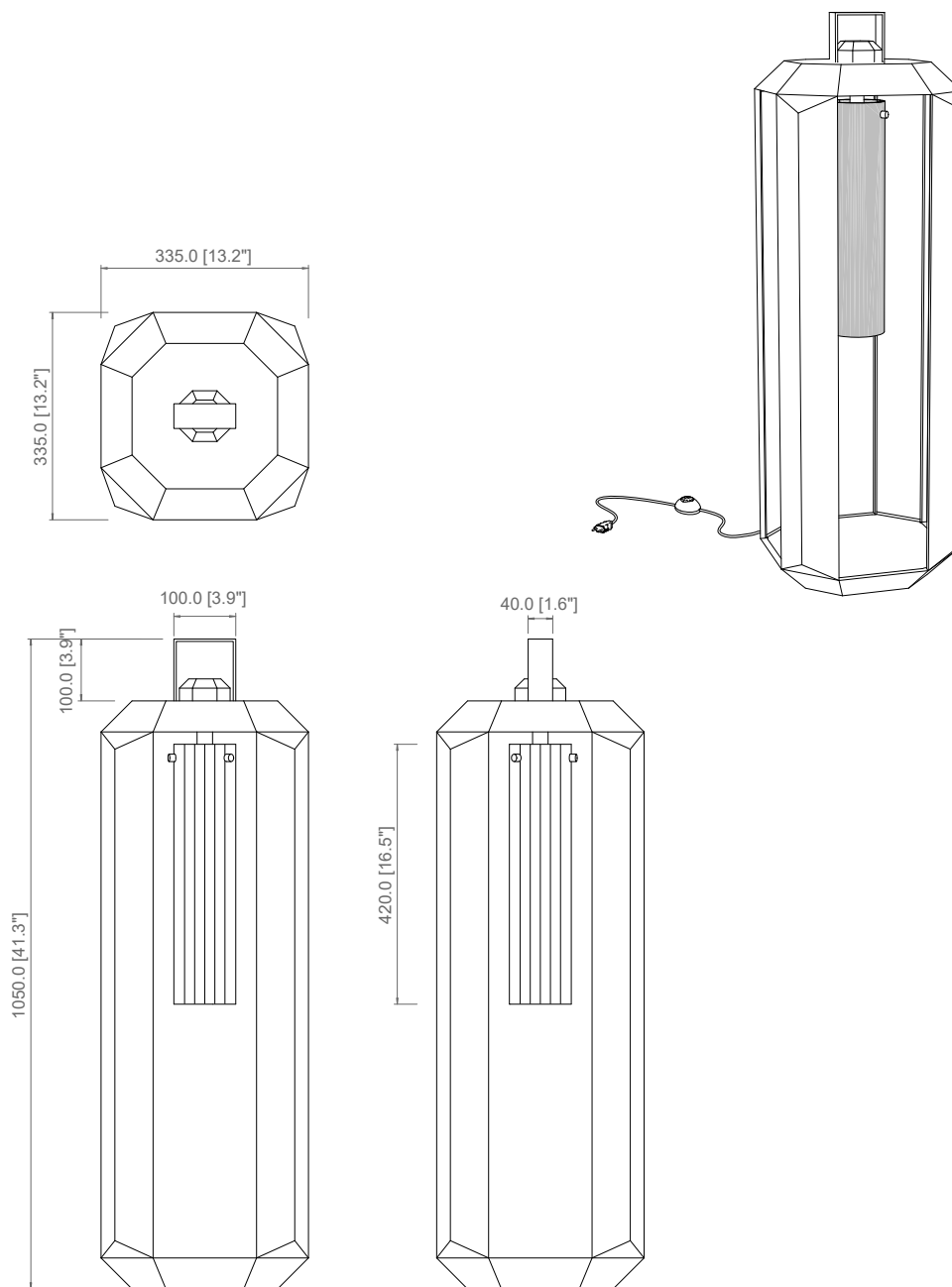
E26 LED

1 x 14W E26
Dimmable LED light bulb
IP20



PRODOTTO / PRODUCT IMBALLI / PACKAGING

<p>Peso-Weight 5 kg / 11 lbs</p>	<p>Box 1 L: 340 mm / 13.4" P-W: 340 mm / 13.4" H: 860 mm / 33.8" Peso-Weight: 6 kg / 13.2 lbs</p>
---	--



PRODOTTO / PRODUCT IMBALLI / PACKAGING

Peso-Weight
17 kg / 37.5 lbs

Box 1
L: 470 mm / 18.5"
P: 470 mm / 18.5"
H: 1210 mm / 47.6"
Peso-Weight: 18 kg / 39.6 lbs

Copyright and/or design rights subsist in this drawing. No part of this drawing may be reproduced in any material form (including photocopying or storing in any medium electronic means, whether or not intentionally and whether or not as part or a larger publication) without the express permission of the copyright owner, Contardi Lighting S.r.l.. Further and without prejudice to the above, this drawing and all information relating thereto is confidential, and shall not be communicated to a third party without the consent of Contardi lighting srl. Contardi lighting srl asserts all rights to be identified as the author of the work and otherwise.

WARNING: The doing of any unauthorised act in relation to a copyright work may result in both a civil claim for damages and criminal prosecution.

CONTARDI LIGHTING Srl

ITALY HEADQUARTERS

www.contardi-italia.com / sales@contardi-italia.it

CONTARDI USA Inc

USA BRANCH

www.contardi-usa.com / sales@contardi-usa.com

