

# DORIAN

Marcello Colli



FL

SO SMALL



Famiglia di lampade nelle quali l'aspetto illuminotecnico si integra a quello decorativo. Il disco orientabile da una parte è diffusore, con grandi capacità e qualità luminose (ulteriormente migliorate dal nuovo diffusore con serigrafia a nido d'ape), dall'altra è specchio, che dona un tocco di classe al prodotto. Dorian ha doppia funzione, luce diretta ed indiretta, per illuminare grandi spazi o creare soltanto degli effetti e dei riflessi.

Family of lamps in which the lighting design is integrated into the decorative one. The adjustable disc on one side is a diffuser with high performances and qualities (further improved by the new diffuser with honeycomb screen printing), on the other side is a mirror, which gives a touch of class to the product. Dorian has a dual function, direct and indirect light, to illuminate large spaces or to create only effects and reflections.

SPECIFICHE PRODOTTO / PRODUCT SPECIFICS

p2

DORIAN FL

p3

DORIAN SO SMALL

p4

**STRUTTURA / FRAME**

Bronzo spazzolato chiaro opaco  
*Matt light satin bronze*



Laccato nero seta opaco  
*Matt black silk lacquered*

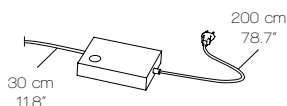
**DIFFUSORE / DIFFUSER**

Plexiglass con serigrafia nido d'ape  
Specchio fumè  
*Plexiglass with "Honeycomb effect" screen printing  
Smoked colour mirror*

**CAVO - INTERRUPTORE / CABLE - SWITCH**

Tessuto nero  
Pulsante dimmerabile a piede  
*Black fabric  
Foot dimmer switch*

L: 30 + 200 cm  
L: 11.8" + 78.7"

**FONTE LUMINOSA / LIGHT SOURCE**

○ Custom LED

**FL**  
1 X 55W  
Lumen: 7.500  
3.000 K; CRI: >90


**SO SMALL**  
1 X 17W  
Lumen: 2.480  
3.000 K; CRI: >90

**DIMMERABILE / DIMMABLE**

**FL**  
Dimmerabile a piede  
*Dimmable with foot control*

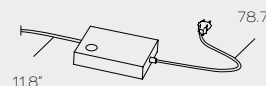
**SO**  
Compatibili con sistemi di controllo remoto  
*Compatible with remote control systems*



 Dorian FL & SO SMALL

**USA / CABLE - SWITCH**

Black fabric  
Foot dimmer switch  
L: 11.8" + 78.7"

**USA / LIGHT SOURCE**

○ Custom LED

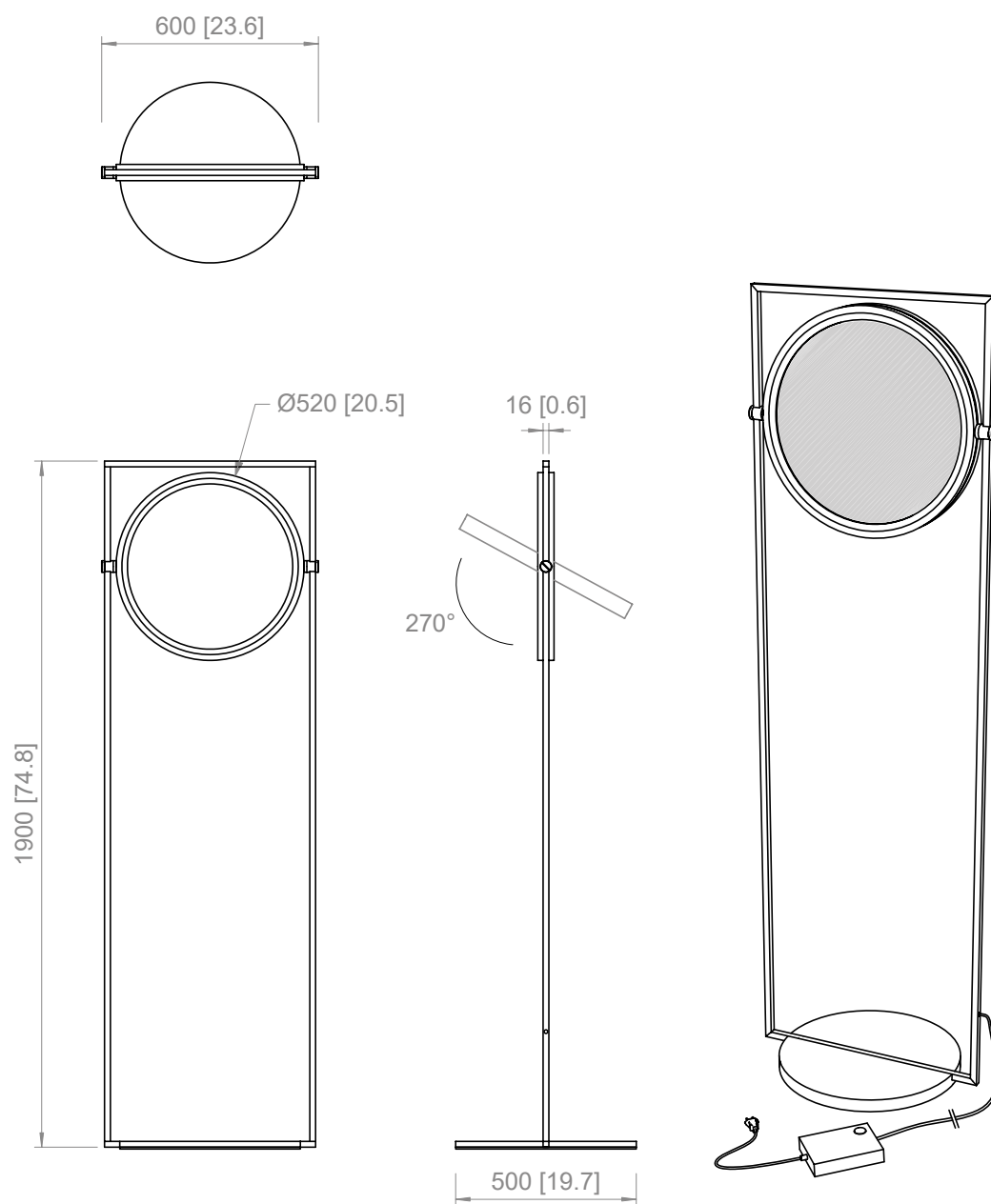
**FL**  
1 X 55W  
Lumen: 7.500  
3.000 K; CRI: >90

**SO SMALL**  
1 X 17W  
Lumen: 2.480  
3.000 K; CRI: >90

**DIMMABLE**

**FL**  
Dimmable with foot control

**SO**  
Compatible with remote control systems



**PRODOTTO / PRODUCT**

PESO / WEIGHT  
31 kg / 68.3 lbs

**BOX 1**

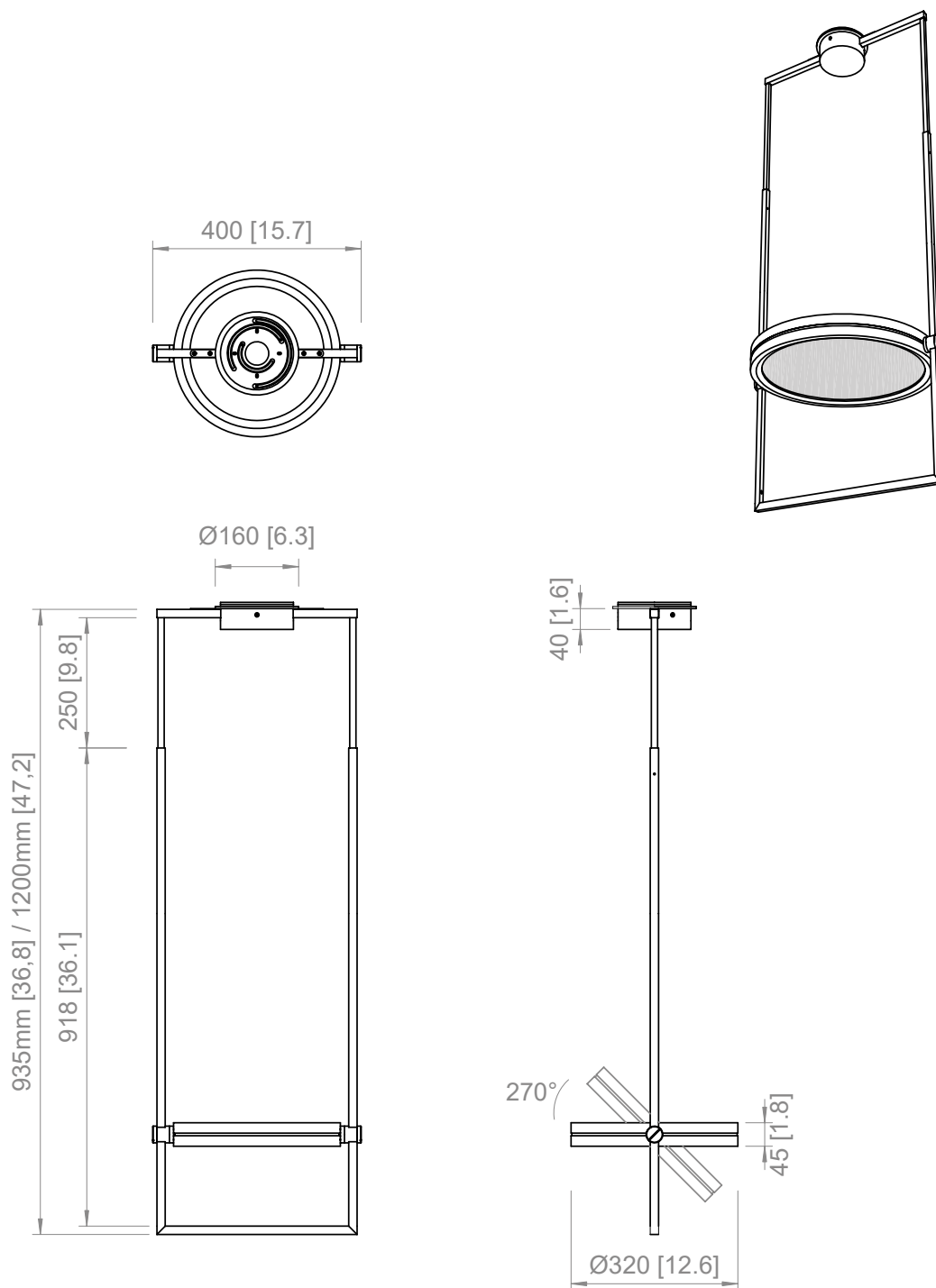
L: 90 cm / 35.4"  
W: 15 cm / 5.9"  
H: 207 cm / 81.5"

PESO / WEIGHT  
15 kg / 33 lbs

**BOX 2**

L: 58 cm / 22.8"  
W: 58 cm / 22.8"  
H: 50 cm / 19.7"

PESO / WEIGHT  
20 kg / 44 lbs



PRODOTTO / PRODUCT

BOX 1

PESO / WEIGHT  
9 kg / 19.8 lbs

L: 110 cm / 43.3"  
W: 25 cm / 9.8"  
H: 52 cm / 20.4"

PESO / WEIGHT  
10 kg / 22 lbs



Copyright and/or design rights subsist in this drawing. No part of this drawing may be reproduced in any material form (including photocopying or storing in any medium electronic means, whether or not intentionally and whether or not as part or a larger publication) without the express permission of the copyright owner, Contardi Lighting S.r.l.. Further and without prejudice to the above, this drawing and all information relating thereto is confidential, and shall not be communicated to a third party without the consent of Contardi lighting srl. Contardi lighting srl asserts all rights to be identified as the author of the work and otherwise.

**WARNING:** The doing of any unauthorised act in relation to a copyright work may result in both a civil claim for damages and criminal prosecution.

---

**CONTARDI LIGHTING Srl**

ITALY HEADQUARTERS

[www.contardi-italia.com](http://www.contardi-italia.com) / [sales@contardi-italia.it](mailto:sales@contardi-italia.it)

**CONTARDI USA Inc**

USA BRANCH

[www.contardi-usa.com](http://www.contardi-usa.com) / [sales@contardi-usa.com](mailto:sales@contardi-usa.com)

