

# Kubric

Massimiliano Raggi



Sospensione realizzata in vetro soffiato a forma di sfera tagliata alla base, all'interno plissettata (grazie al doppio stampo) e dorata. Kubric è disponibile nella versione con rosone oppure senza, per adattarsi a composizioni speciali "su richiesta", che vengono realizzate di volta in volta, senza grandi limiti di dimensioni e numero (richiedi la relativa guida per le composizioni speciali). La sorgente luminosa è un COB-LED 5W, a tensione di rete per le versioni a 230V.

*Suspension lamp made of blown glass in the shape of a sphere which is cut at the base, yet pleated inside (thanks to a double mold). Kubric is available in the version with canopy but also with special attachment for the false ceiling. Kubric adapts to special "on request" compositions, which are made from time to time, without big limits in terms of size and number (please request the relative guide for special compositions). The light source is a 5W COB-LED, with mains voltage for the 230V versions.*

SPECIFICHE PRODOTTO / PRODUCT SPECIFICS

p.2

KUBRIC SO SINGLE CANOPY  
KUBRIC SO SINGLE DIFFUSER+CABLE

p.3

p.4

ATTACCO PER CONTROSOFFITTO / CONNECTION FOR FALSE CEILING

p.5

## STRUTTURA / *FRAME*



Nickel dorato satinato  
*Satin gold nickel*



## STRUTTURA KUBRIC CLUSTER *KUBRIC CLUSTER FRAME*

Laccato bianco opaco  
*Matt white lacquered*

## DIFFUSORE / *DIFFUSER*



Vetro bronzo lucido  
con interno oro  
*Polished bronze glass  
with gold painted inside*

## CAVO / *CABLE*

Tessuto color sabbia  
*Sand colour fabric*

H: 2000 mm  
*H: 78.7"*

## FONTE LUMINOSA / *LIGHT SOURCE*

### 220-240V



LED module

1 x 5W

LED module

Emissione / Light emission: 550 Lm

2.700 K; CRI: >90

IP20

Compatibili con dimmerazione  
a taglio di fase

*Compatible with phase cut dimming*



### 110V



LED module

1 x 5W

LED module

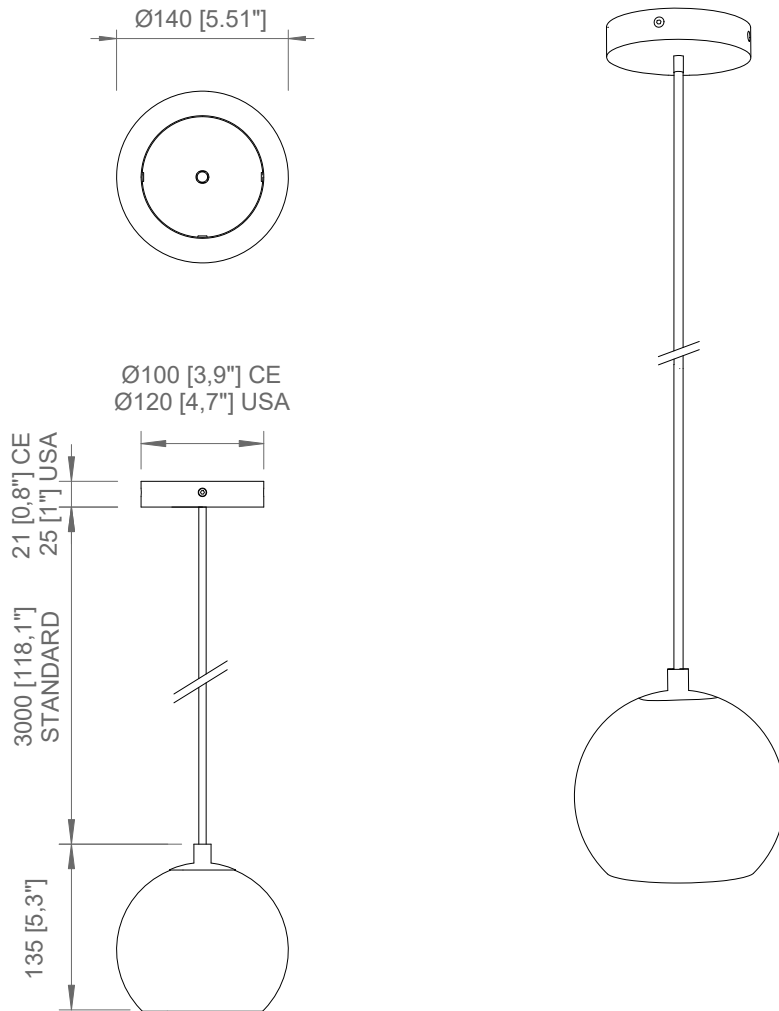
Light emission: 550 Lm

2.700 K; CRI: >90

IP20

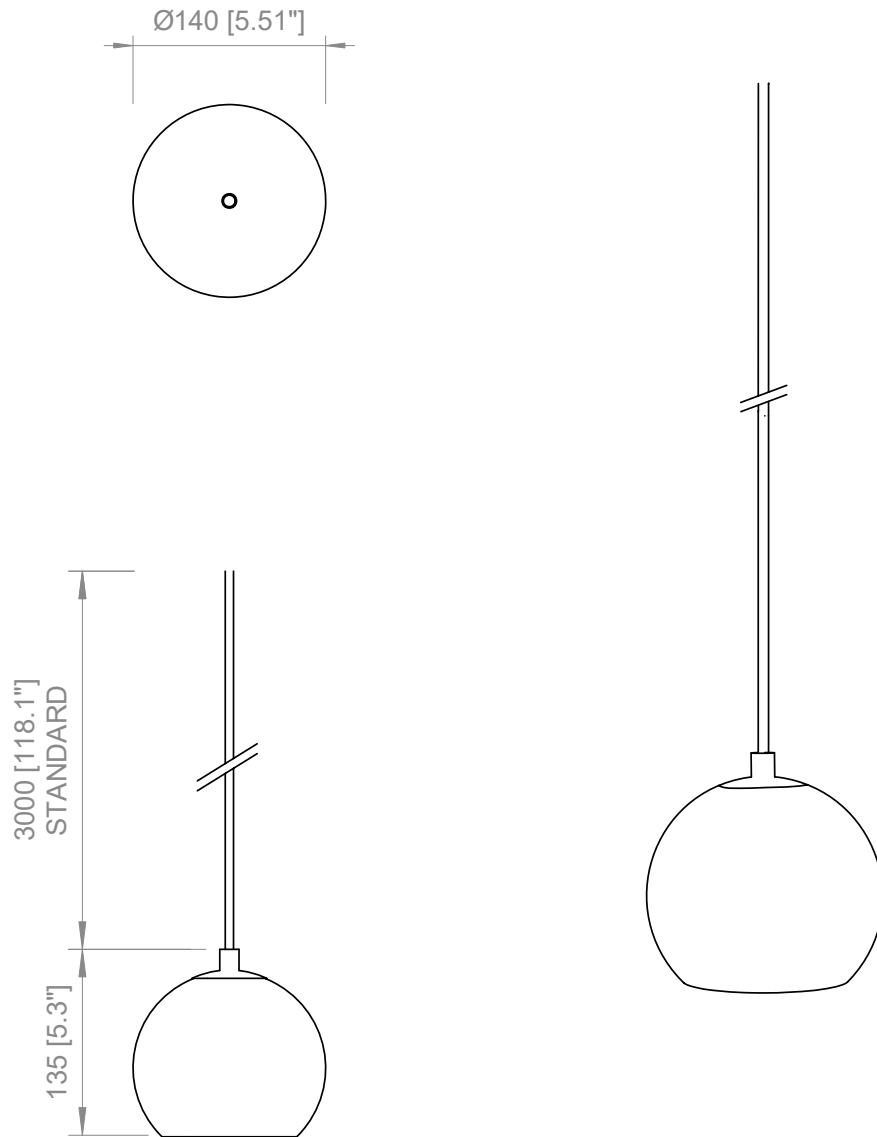
Compatible with phase cut dimming





**PRODOTTO / PRODUCT**    **IMBALLI / PACKAGING**

<b>Peso-Weight</b>	<b>Box 1</b>
1 kg / 2.2 lbs	L: 270 mm / 10.6"
	P-W: 270 mm / 10.6"
	H: 250 mm / 9.8"
	Peso-Weight: 1.5 kg / 3.3 lbs



**PRODOTTO / PRODUCT**    **IMBALLI / PACKAGING**

**Peso-Weight**

1 kg / 2.2 lbs

**Box 1**

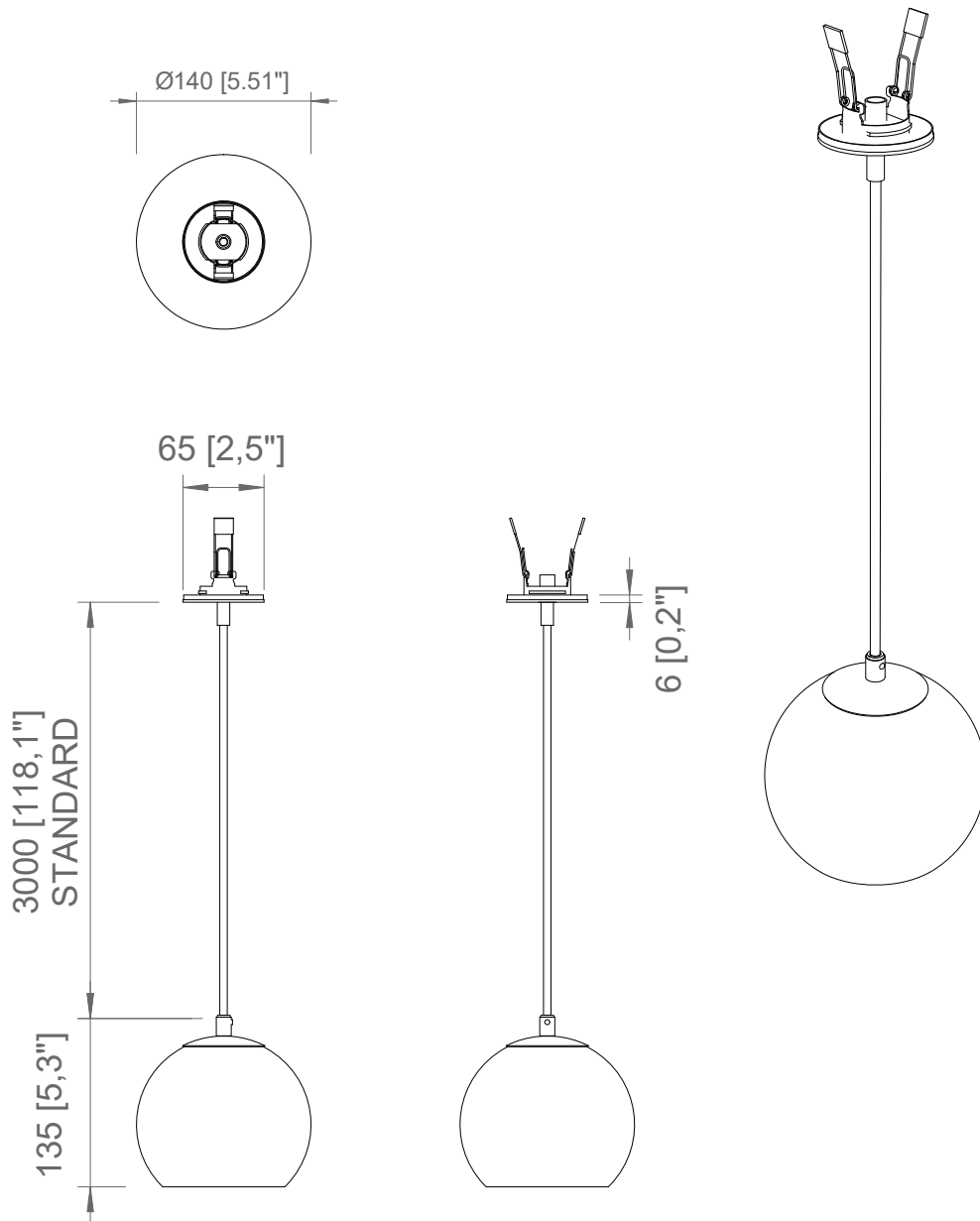
L: 220 mm / 8.6"

P-W: 220 mm / 8.6"

H: 250 mm / 9.8"

Peso-Weight: 1 kg / 2.2 lbs

KUBRIC SO SINGLE  
ATTACCO PER CONTROSOFFITTO / CONNECTION FOR FALSE CEILING



Copyright and/or design rights subsist in this drawing. No part of this drawing may be reproduced in any material form (including photocopying or storing in any medium electronic means, whether or not intentionally and whether or not as part or a larger publication) without the express permission of the copyright owner, Contardi Lighting S.r.l.. Further and without prejudice to the above, this drawing and all information relating thereto is confidential, and shall not be communicated to a third party without the consent of Contardi lighting srl. Contardi lighting srl asserts all rights to be identified as the author of the work and otherwise.

WARNING: The doing of any unauthorised act in relation to a copyright work may result in both a civil claim for damages and criminal prosecution.

---

**CONTARDI LIGHTING Srl**

ITALY HEADQUARTERS

[www.contardi-italia.com](http://www.contardi-italia.com) / [sales@contardi-italia.it](mailto:sales@contardi-italia.it)

**CONTARDI USA Inc**

USA BRANCH

[www.contardi-usa.com](http://www.contardi-usa.com) / [sales@contardi-usa.com](mailto:sales@contardi-usa.com)

