

# Manhattan

Contardi Studio



Lampada da lettura, per uso a lato letto o direttamente sulla testata, è caratterizzata da un doppio braccio snodato che si muove sia sull'asse della base che sul punto di giuntura tra i due bracci. La testa è orientabile. Disponibile in due finiture e con o senza interruttore sulla basetta.

*Reading lamp, for use on the bed side or directly on the headboard, it is characterised by a double jointed arm that moves both on the axis of the base and on the joint between the two arms. The head is adjustable. Available in two finishes and with or without switch.*

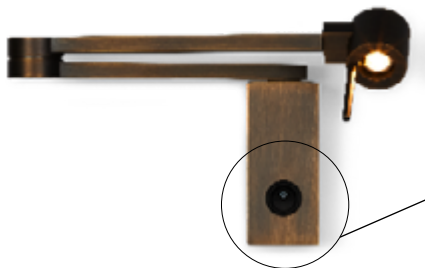
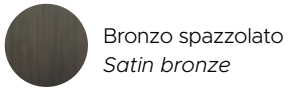
SPECIFICHE PRODOTTO / PRODUCT SPECIFICS

p.2

MANHATTAN AP  
MANHATTAN AP - USA

p.4  
p.5

**STRUTTURA / FRAME**



Disponibile con o senza interruttore  
*Available with or without switch*



**FONTE LUMINOSA / LIGHT SOURCE**

**220-240V**



LED module

1 x 3W  
Modulo LED  
Emissione / Light emission: 500 Lm  
2.700 K; CRI: >90  
IP20



**110V**

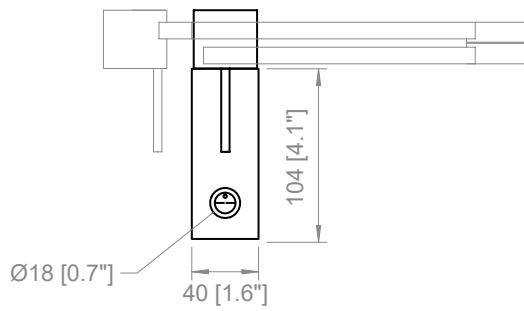


LED module

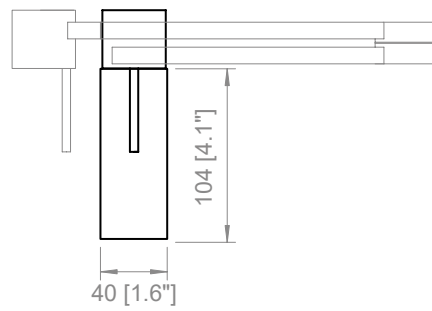
1 x 3W  
LED module  
Light emission: 500 Lm  
2.700 K; CRI: >90  
IP20



**MANHATTAN AP - CON O SENZA INTERRUOTTORE / WITH OR WITHOUT SWITCH**

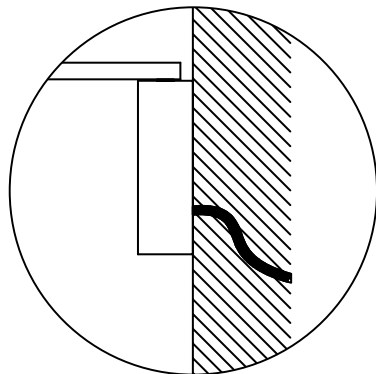


Con interruttore  
*With switch*

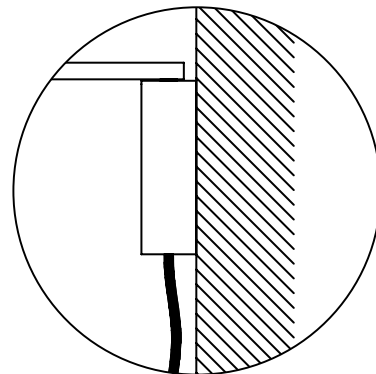


Senza interruttore  
*Without switch*

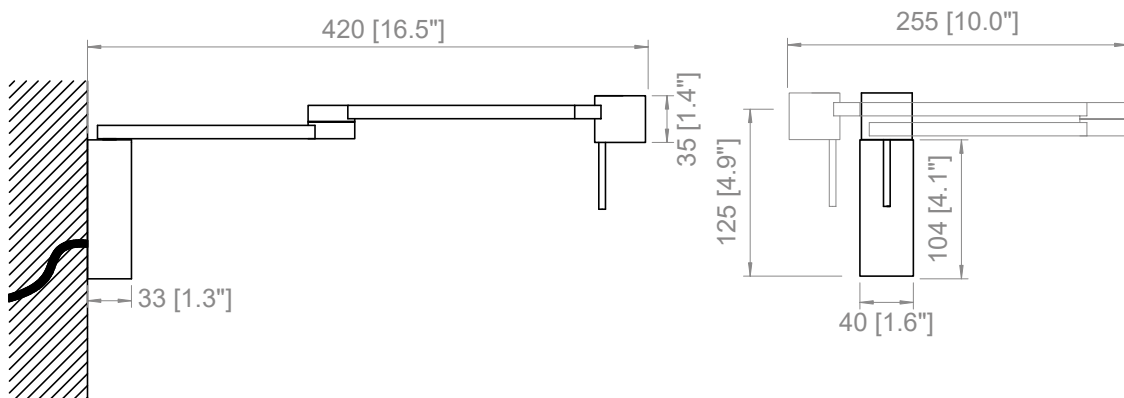
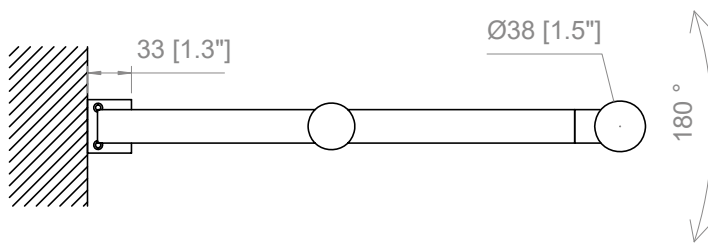
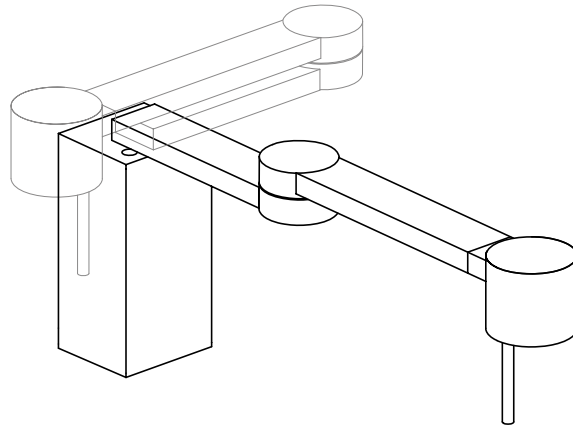
**MANHATTAN AP - USCITA DEL CAVO / *CABLE OUTPUT***



Cavo nero in uscita dal retro  
*Black cable without plug*



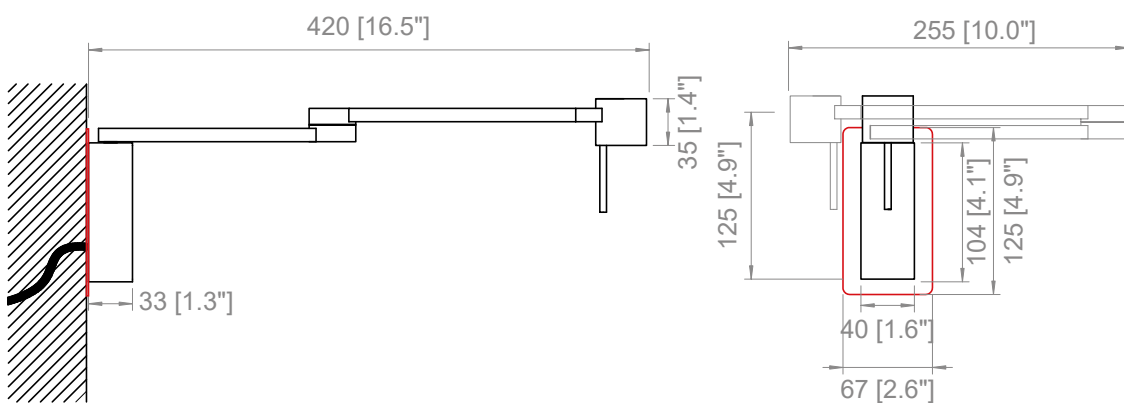
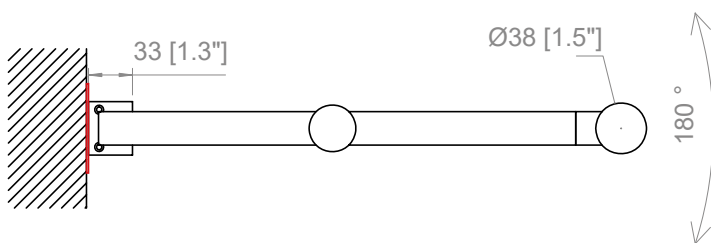
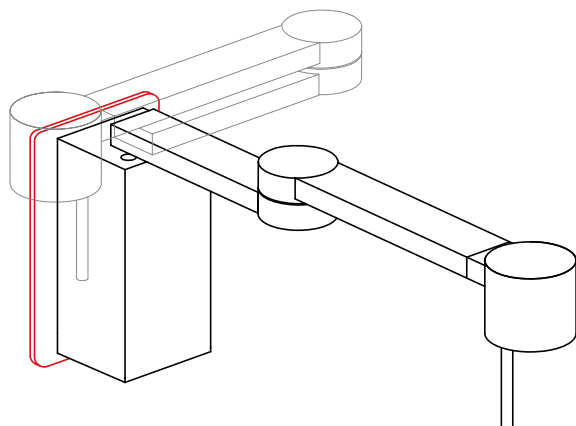
Cavo in tessuto nero con spina in uscita dalla base  
*Cable (black fabric) with plug*



**PRODOTTO / PRODUCT    IMBALLI / PACKAGING**

**Peso-Weight**  
0.5 kg / 1.1 lbs

**Box 1**  
L: 330 mm / 13"  
P-W: 210 mm / 8.2"  
H: 65 mm / 2.5"  
Peso-Weight: 1 kg / 2.2 lbs



**PRODOTTO / PRODUCT    IMBALLI / PACKAGING**

**Peso-Weight**  
0.5 kg / 1.1 lbs

**Box 1**  
L: 330 mm / 13"  
P-W: 210 mm / 8.2"  
H: 65 mm / 2.5"  
Peso-Weight: 1 kg / 2.2 lbs

Copyright and/or design rights subsist in this drawing. No part of this drawing may be reproduced in any material form (including photocopying or storing in any medium electronic means, whether or not intentionally and whether or not as part or a larger publication) without the express permission of the copyright owner, Contardi Lighting S.r.l.. Further and without prejudice to the above, this drawing and all information relating thereto is confidential, and shall not be communicated to a third party without the consent of Contardi lighting srl. Contardi lighting srl asserts all rights to be identified as the author of the work and otherwise.

WARNING: The doing of any unauthorised act in relation to a copyright work may result in both a civil claim for damages and criminal prosecution.

---

**CONTARDI LIGHTING Srl**

ITALY HEADQUARTERS

[www.contardi-italia.com](http://www.contardi-italia.com) / [sales@contardi-italia.it](mailto:sales@contardi-italia.it)

**CONTARDI USA Inc**

USA BRANCH

[www.contardi-usa.com](http://www.contardi-usa.com) / [sales@contardi-usa.com](mailto:sales@contardi-usa.com)

