

MESSALINA

Massimiliano Raggi



MESSALINA SO



Messalina è la sorella minore di Cornelia. Disponibile come sospensione ed applique, realizzata in vetro soffiato e poi "metallizzato sottovuoto", tecnica che dona un tocco di magia ed un gioco di suggestive trasparenze. Adesso disponibili nei nuovi colori. Sono realizzabili su richiesta composizioni multiple speciali.

Messalina is Cornelia's younger sister. Available as a suspension and wall lamp, made of blown and then "metallized vacuum" glass, a technique that gives a touch of magic and a game of suggestive transparencies. Now available in new colours. Special multiple compositions are available upon request.

SPECIFICHE PRODOTTO / PRODUCT SPECIFICS

[p2](#)

MESSALINA SO
MESSALINA SO DIFFUSER+CABLE

[p3](#)
[p4](#)

ATTACCO PER CONTROSOFFITTO / CONNECTION FOR FALSE CEILING

[p5](#)



STRUTTURA / FRAME



Bronzo spazzolato chiaro opaco
Matt light satin bronze



STRUTTURA MESSALINA CLUSTER MESSALINA CLUSTER FRAME

Laccato effetto bronzo
Painted bronze effect

DIFFUSORE / DIFFUSER



Vetro metallizzato ambra scuro
Dark amber metallized glass



Vetro metallizzato rosa antico
Antique pink metallized glass



Vetro metallizzato blu petrolio
Petrol blue metallized glass

CAVO / CABLE

Tessuto bronzo
Bronze fabric

SO
H: 200 cm / H: 78.7"

FRONTE LUMINOSA / LIGHT SOURCE



E27 LED o Classic DECO LED
Utilizzabili lampadine LED fino alla
massima potenza disponibile sul mercato
*You can use LED light bulbs of the
highest available wattage*

1 X E27 LED or Classic DECO LED
Lampadina LED
LED light bulb



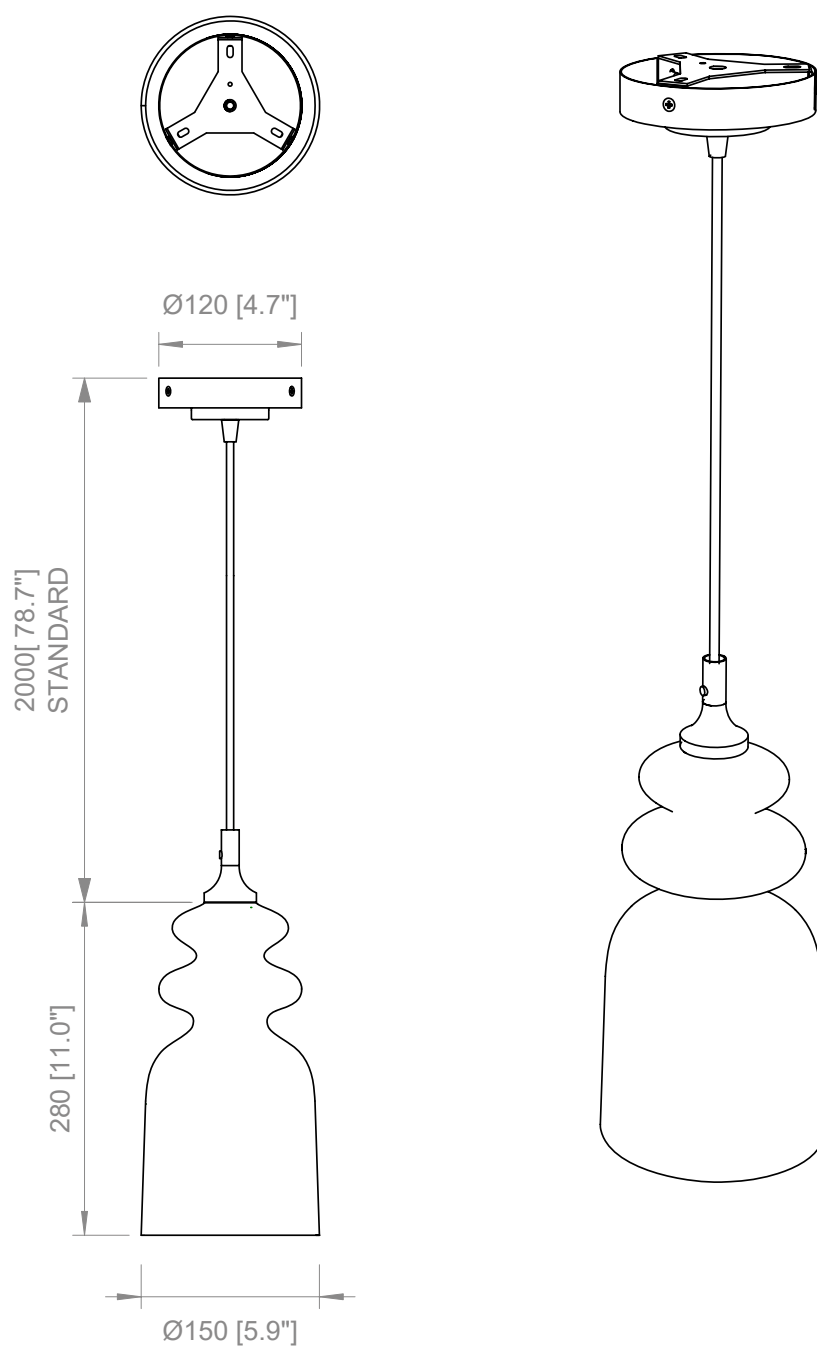
USA / LIGHT SOURCE



E26 LED or Classic DECO LED
You can use LED light bulbs of the
highest available wattage

1 X E26 LED or Classic DECO LED
LED light bulb





PRODOTTO / PRODUCT

PESO / WEIGHT
1 kg / 2.2 lbs

BOX 1

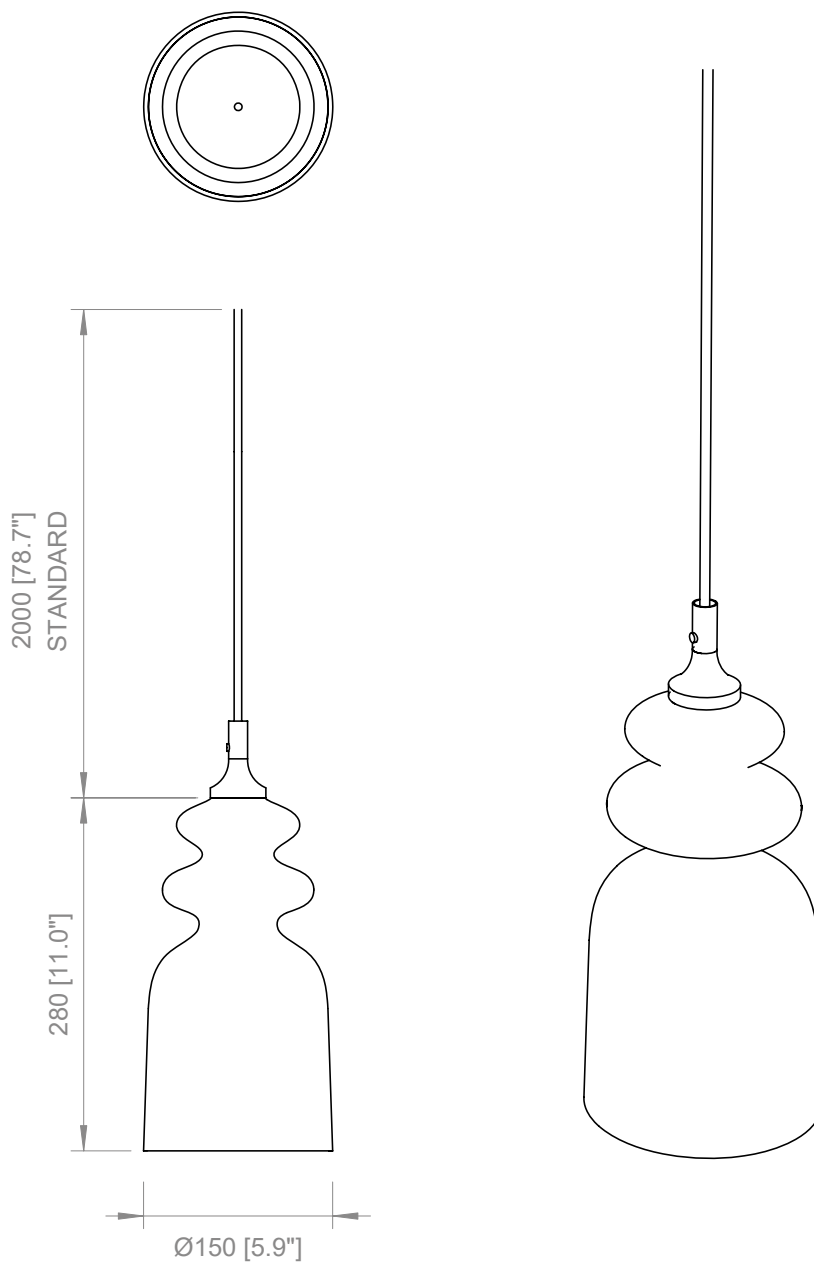
L: 27 cm / 10.6"
W: 27 cm / 10.6"
H: 25 cm / 14.9"

PESO / WEIGHT
1 kg / 2.2 lbs

BOX 2

L: 23 cm / 9"
W: 23 cm / 9"
H: 38 cm / 14.9"

PESO / WEIGHT
1 kg / 2.2 lbs



PRODOTTO / PRODUCT

PESO / WEIGHT
1 kg / 2.2 lbs

BOX 1

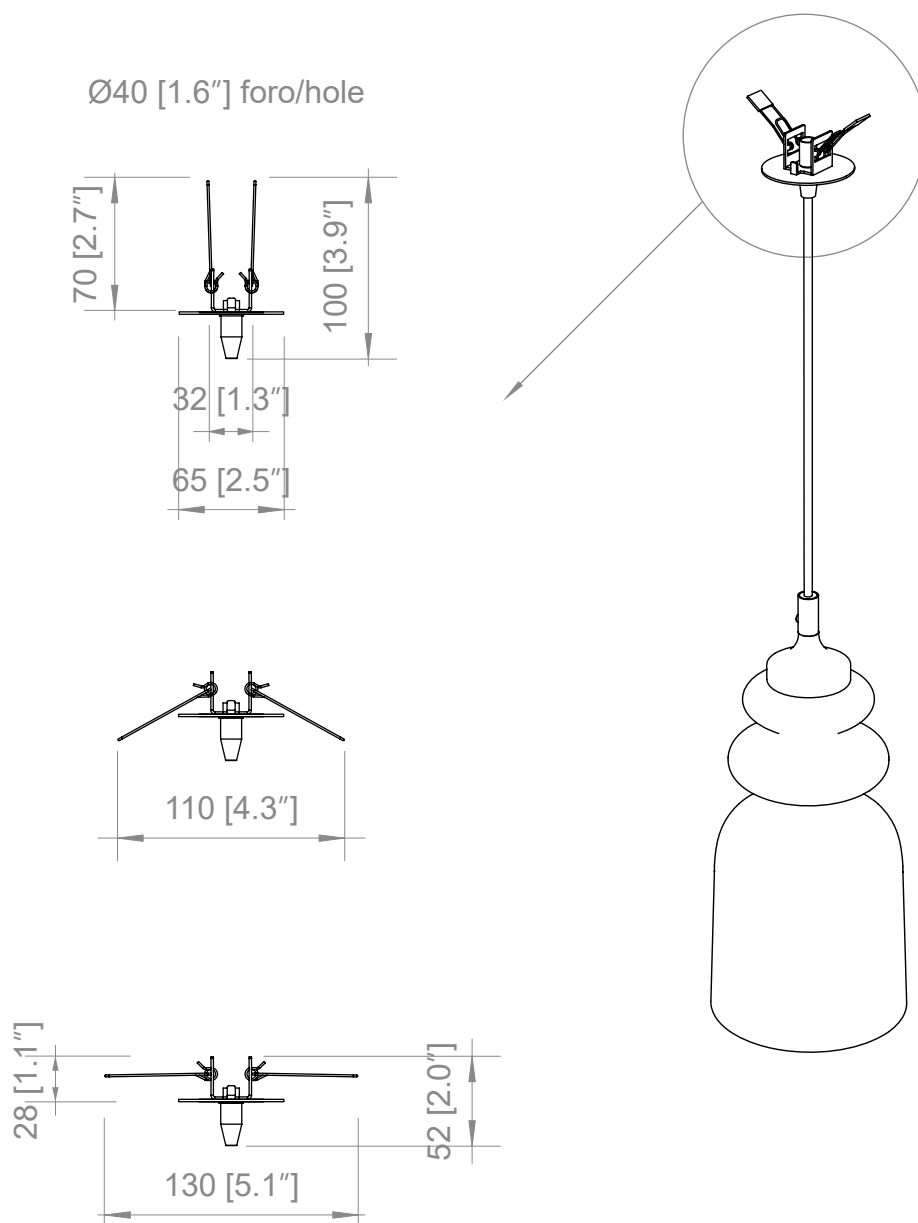
L: 27 cm / 10.6"
W: 27 cm / 10.6"
H: 25 cm / 14.9"

PESO / WEIGHT
1 kg / 2.2 lbs

BOX 2

L: 23 cm / 9"
W: 23 cm / 9"
H: 38 cm / 14.9"

PESO / WEIGHT
1 kg / 2.2 lbs





Copyright and/or design rights subsist in this drawing. No part of this drawing may be reproduced in any material form (including photocopying or storing in any medium electronic means, whether or not intentionally and whether or not as part or a larger publication) without the express permission of the copyright owner, Contardi Lighting S.r.l.. Further and without prejudice to the above, this drawing and all information relating thereto is confidential, and shall not be communicated to a third party without the consent of Contardi lighting srl. Contardi lighting srl asserts all rights to be identified as the author of the work and otherwise.

WARNING: The doing of any unauthorised act in relation to a copyright work may result in both a civil claim for damages and criminal prosecution.

CONTARDI LIGHTING Srl

ITALY HEADQUARTERS

www.contardi-italia.com / sales@contardi-italia.it

CONTARDI USA Inc

USA BRANCH

www.contardi-usa.com / sales@contardi-usa.com

