

# Muse lantern

Tristan Auer



SMALL

MEDIUM

LARGE



Prodotto iconico di Contardi, Muse Lantern è una lanterna dal design originale e prezioso grazie a dettagli sofisticati come la maniglia in seta intrecciata color miele, la finitura in bronzo spazzolato e la struttura dal look vintage. La versione da terra è disponibile in tre diverse dimensioni (small, medium e large) per adattarsi a qualsiasi ambiente.

*An iconic Contardi product, Muse Lantern is a lantern with an original and precious design thanks to sophisticated details such as the honey-coloured braided silk handle, the satin bronze finish and the vintage-look structure. The free standing version is available in three different sizes (small, medium and large) to adapt to any environment.*

SPECIFICHE PRODOTTO / PRODUCT SPECIFICS

p.2

MUSE LANTERN SMALL  
MUSE LANTERN MEDIUM  
MUSE LANTERN LARGE

p.3

p.4

p.5

## STRUTTURA / FRAME



Bronzo spazzolato  
*Satin bronze*



Maniglia in seta intrecciata  
color miele  
*Honey-coloured braided  
silk handle*

## DIFFUSORE / DIFFUSER

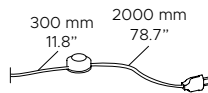


Acrilico color ambra  
*Amber finish acrylic*

## CAVO - INTERRUTTORE / CABLE - SWITCH

TA  
Tessuto nero  
*Black fabric*

Interruttore ON-OFF su cavo  
*ON-OFF switch on cable*



L: 300 + 2000 mm  
L: 11.8 + 78.7"

## FONTE LUMINOSA / LIGHT SOURCE

### 220-240V



E27 Classic Deco LED

1 x 10W E27 Classic Deco  
Lampadina LED  
*LED light bulb*  
IP20

Disponibile su richiesta versione  
con dimmer a piede, compatibile  
solo con lampadine LED dimmerabili

*Foot dimmer available on demand,  
compatible with dimmable LED light  
bulbs only*



Muse lantern

### 110V

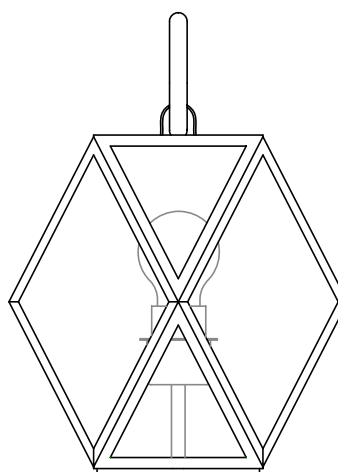
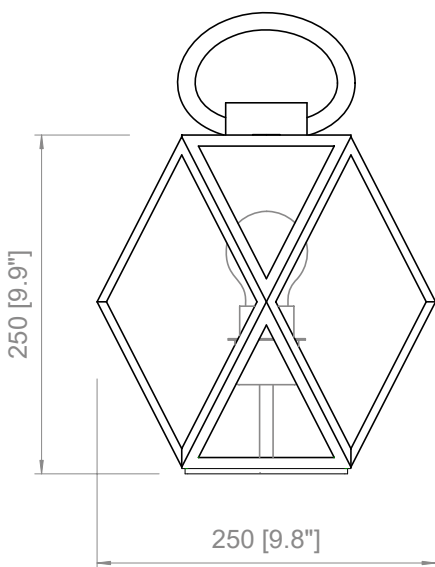
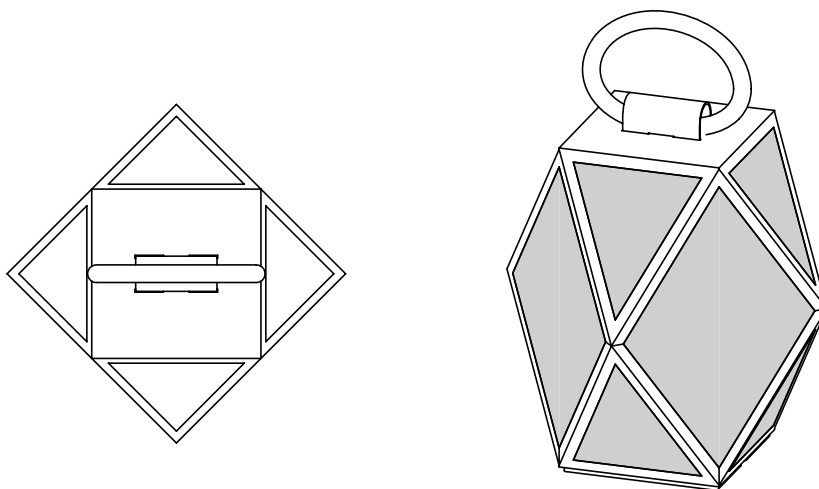


E26 Classic Deco LED

1 x 10W E26 Classic Deco  
LED light bulb  
IP20

*Foot dimmer available on  
demand, compatible with  
dimmable LED light bulbs only*

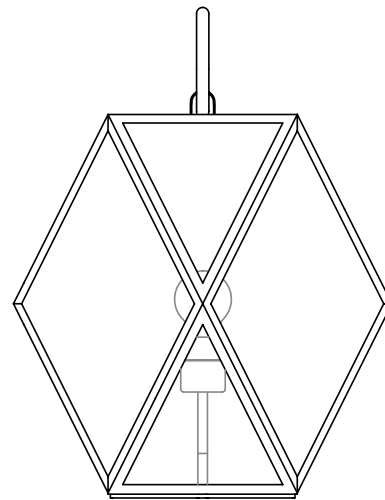
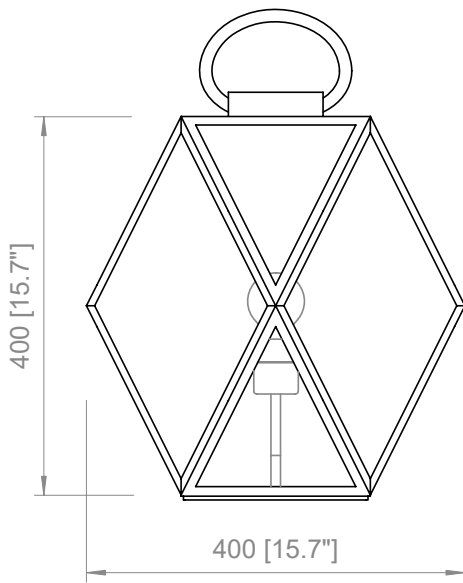
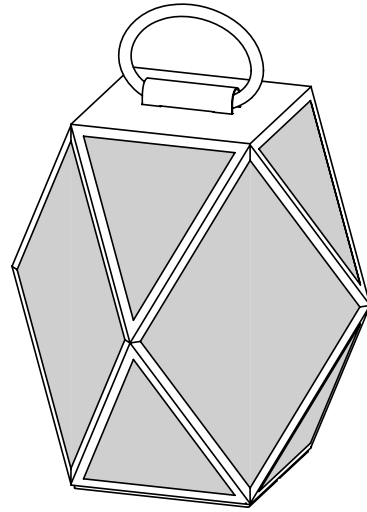
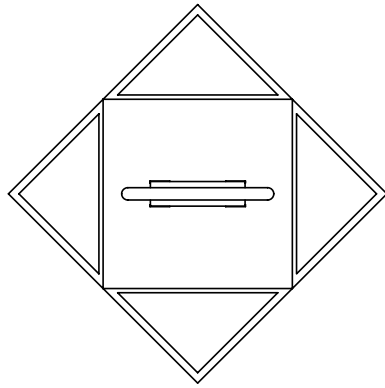




**PRODOTTO / PRODUCT    IMBALLI / PACKAGING**

**Peso-Weight**  
3 kg / 6.6 lbs

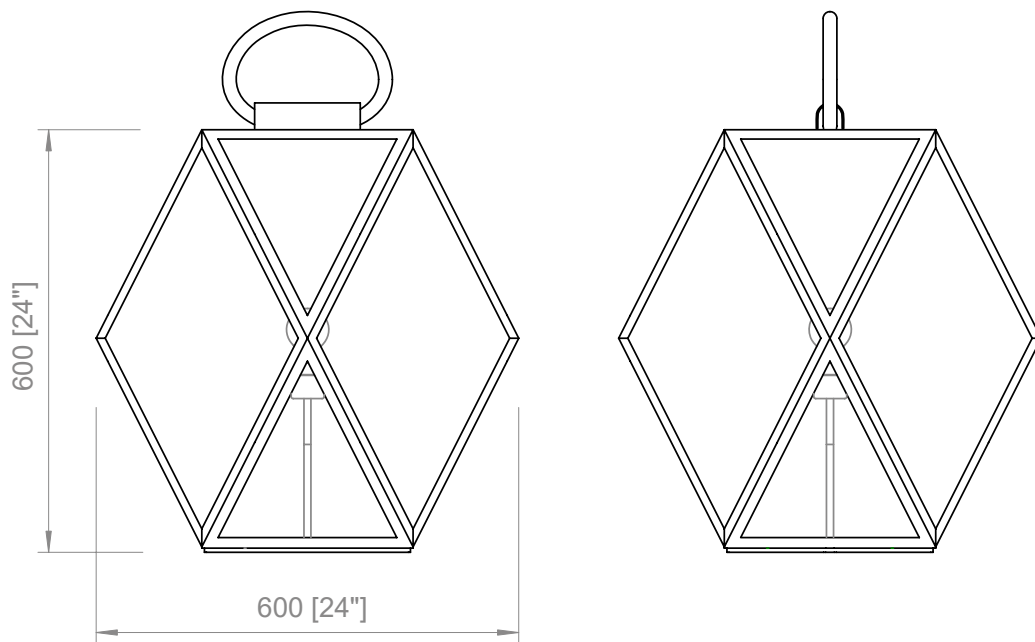
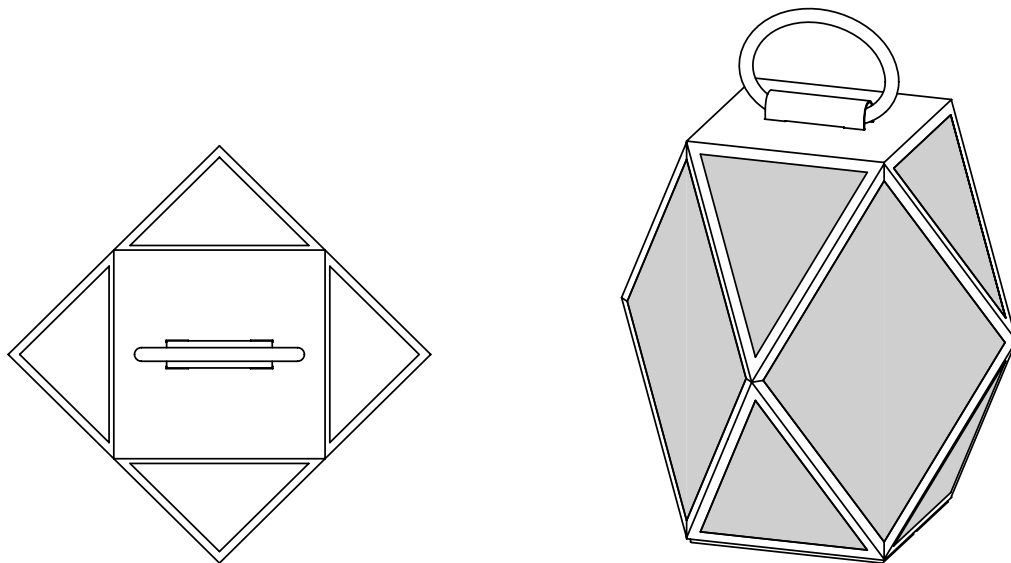
**Box 1**  
L: 320 mm / 12.6"  
P-W: 320 mm / 12.6"  
H: 330 mm / 13"  
Peso-Weight: 4 kg / 8.8 lbs



**PRODOTTO / PRODUCT**    **IMBALLI / PACKAGING**

**Peso-Weight**  
6 kg / 13.2 lbs

**Box 1**  
L: 520 mm / 20.4"  
P-W: 520 mm / 20.4"  
H: 550 mm / 21.6"  
Peso-Weight: 5 kg / 15.4 lbs



**PRODOTTO / PRODUCT    IMBALLI / PACKAGING**

**Peso-Weight**  
11 kg / 24.2 lbs

**Box 1**  
L: 640 mm / 25.2"  
P-W: 640 mm / 25.2"  
H: 730 mm / 28.7"  
Peso-Weight: 12.5 kg / 27.5 lbs

Copyright and/or design rights subsist in this drawing. No part of this drawing may be reproduced in any material form (including photocopying or storing in any medium electronic means, whether or not intentionally and whether or not as part or a larger publication) without the express permission of the copyright owner, Contardi Lighting S.r.l.. Further and without prejudice to the above, this drawing and all information relating thereto is confidential, and shall not be communicated to a third party without the consent of Contardi lighting srl. Contardi lighting srl asserts all rights to be identified as the author of the work and otherwise.

WARNING: The doing of any unauthorised act in relation to a copyright work may result in both a civil claim for damages and criminal prosecution.

---

**CONTARDI LIGHTING Srl**

ITALY HEADQUARTERS

[www.contardi-italia.com](http://www.contardi-italia.com) / [sales@contardi-italia.it](mailto:sales@contardi-italia.it)

**CONTARDI USA Inc**

USA BRANCH

[www.contardi-usa.com](http://www.contardi-usa.com) / [sales@contardi-usa.com](mailto:sales@contardi-usa.com)

