

# SOLITARIO

Marcello Colli & Maurizio Di Mauro



Solitario è prima di tutto un sistema personalizzabile. Il corpo cilindrico principale che contiene la sorgente luminosa GU10 è il fulcro di tutta la famiglia di prodotti. Combinato con diversi tipi di sfere e accessori crea numerose possibilità di utilizzo, offrendo una varietà di opzioni per progetti residenziali o commerciali. Attraverso l'utilizzo ripetuto dei rosoni multipli, con Solitario si può "portare" la luce in ambienti molto grandi, partendo da un solo punto di uscita della corrente (consultare la guida con gli esempi di installazioni e progetti). Modello rappresentativo della categoria chiamata "Archi-Decorative".

*Solitario is first of all a customizable system. The main cylindrical body containing the GU10 light source is the fulcrum of the whole product family. Combined with different types of spheres and accessories it creates numerous possibilities of use, offering a variety of options for residential or commercial projects. Through the repeated use of multiple canopies, with Solitario you can "bring" light in very large rooms, starting from a single point of supply (we invite you to consult the guide with examples of installations and projects). Representative model of the "Deco-architectural" category.*

## SPECIFICHE PRODOTTO / PRODUCT SPECIFICS

|   |     |
|---|-----|
| SOLITARIO AP  | p2  |
| SOLITARIO AP - ACCESSORIES                                | p3  |
| SOLITARIO AP SMALL  | p4  |
| SOLITARIO AP SMALL - ACCESSORIES                          | p5  |
| SOLITARIO PL H10  | p6  |
| SOLITARIO PL H10 - ACCESSORIES                            | p7  |
| SOLITARIO PL H25  | p8  |
| SOLITARIO PL H25 - ACCESSORIES                            | p9  |
| SOLITARIO SO  | p10 |
| SOLITARIO SO - ACCESSORIES                                | p11 |
| ATTACCO PER CONTROSOFFITTO / CONNECTION FOR FALSE CEILING | p12 |
|   | p14 |



**STRUTTURA / FRAME**



Bronzo spazzolato chiaro opaco  
*Matt light satin bronze*



**STRUTTURA SOLITARIO CLUSTER**  
**SOLITARIO CLUSTER FRAME**  
Laccato effetto bronzo  
*Painted bronze effect*



Laccato nero seta opaco  
*Matt black silk lacquered*



Laccato nero seta opaco  
*Matt black silk lacquered*

**DIFFUSORE / DIFFUSER**



**SMOKE**  
Luce decorativa  
*Decorative light*



**FLOOD**  
Luce diffusa  
*Diffused light*



**SPOT**  
Luce spot  
*Spot light*



**ENGRAVED**  
Luce decorativa  
*Decorative light*



**FLOOD**  
Luce diffusa  
*Diffused light*



**SPOT**  
Luce puntiforme  
*Spot light*

**CAVO / CABLE**

Tessuto grigio  
*Grey fabric*

**SO**  
L: 400 cm  
L: 157.4"

**FONTE LUMINOSA / LIGHT SOURCE**



GU10 LED  
Utilizzabili lampadine LED fino alla massima potenza disponibile sul mercato  
*You can use LED light bulbs of the highest available wattage*

**DIMMERABLE / DIMMABLE**

Compatibili con sistemi di controllo remoto  
*Compatible with remote control systems*

1 X GU10 LED  
Lumen: 650  
3.000 K; CRI: >90



**USA / LIGHT SOURCE**



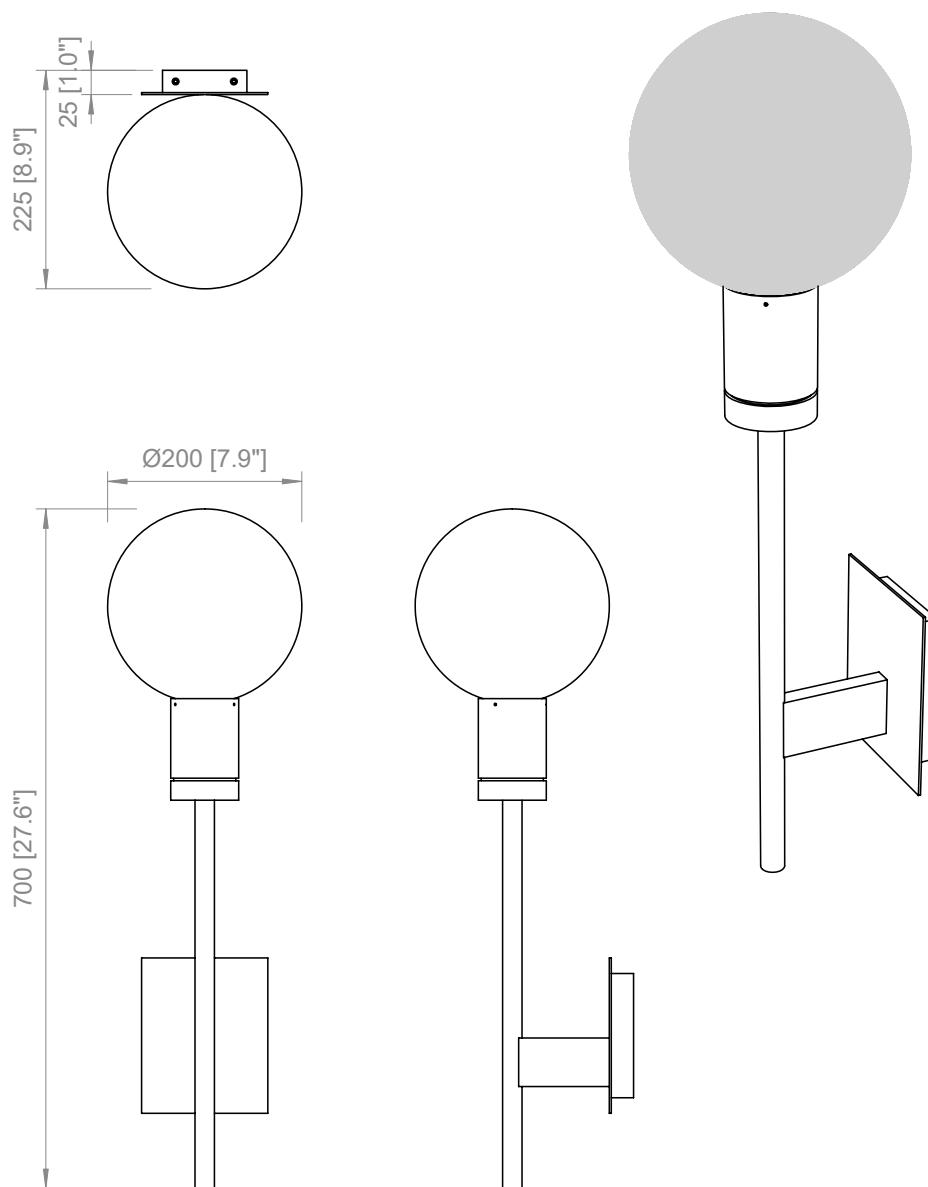
GU10 LED  
You can use LED light bulbs of the highest available wattage

**DIMMABLE**

Compatible with remote control systems

1 X GU10 LED  
Lumen: 650  
3.000 K; CRI: >90





**PRODOTTO / PRODUCT**

PESO / WEIGHT  
1,5 kg / 3.3 lbs

**BOX 1**

L: 54 cm / 21.2"  
W: 24,5 cm / 9.6"  
H: 29 cm / 11.4"

PESO / WEIGHT  
2,5 kg / 5.5 lbs

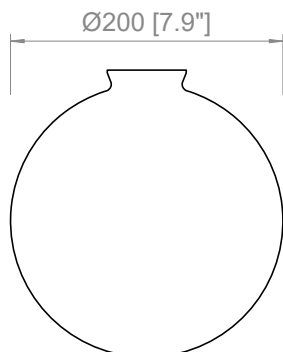
**BOX 2**

L: 27 cm / 10.6"  
W: 27 cm / 10.6"  
H: 29 cm / 11.4"

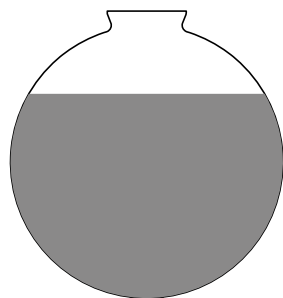
PESO / WEIGHT  
1 kg / 2.2 lbs



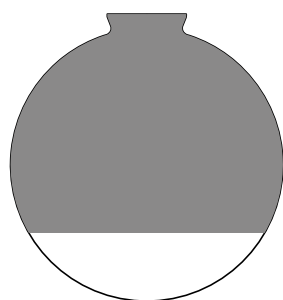
SFERE / SPHERES



Ø200  
SMOKE

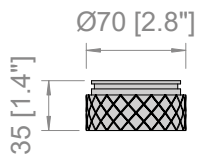


Ø200  
FLOOD

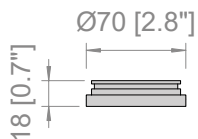


Ø200  
SPOT

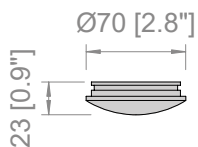
LENTI / LENSES



Ø70  
ENGRAVED



Ø70  
FLOOD



Ø70  
SPOT

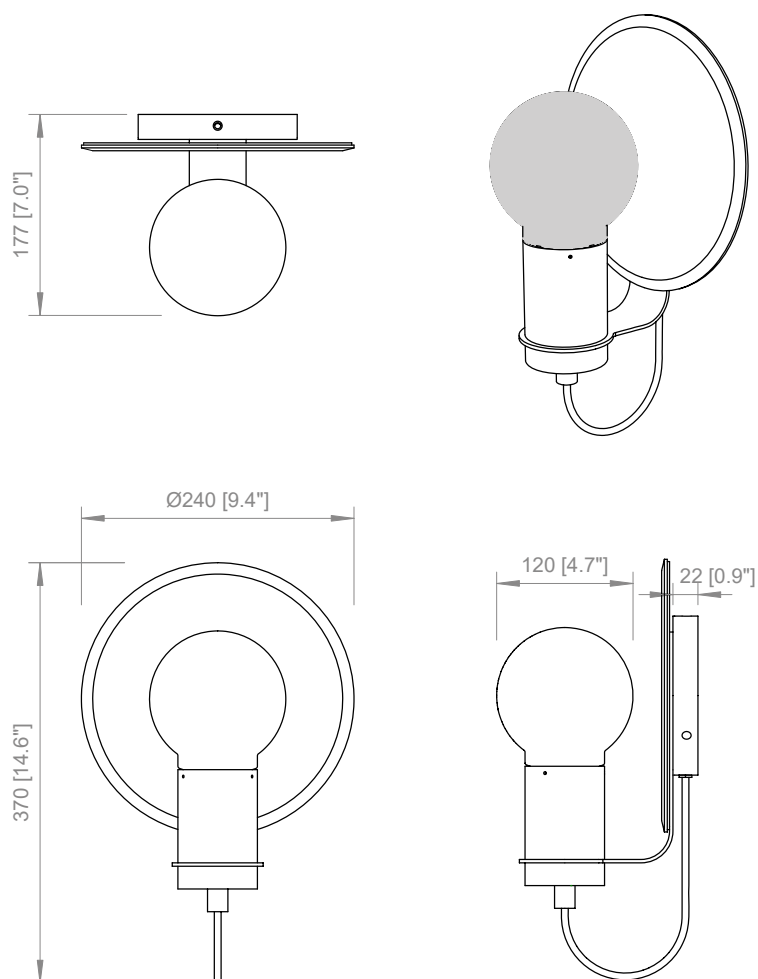
SFERE Ø200 / SPHERES Ø7.8"

PRODOTTO / PRODUCT | BOX 1

PESO / WEIGHT  
0,5 kg / 1.1 lbs

L: 27 cm / 10.6"  
W: 27 cm / 10.6"  
H: 29 cm / 11.4"

PESO / WEIGHT  
1 kg / 2.2 lbs



PRODOTTO / PRODUCT

PESO / WEIGHT  
2 kg / 4.4 lbs

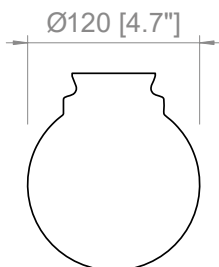
BOX 1

L: 36 cm / 14.1"  
W: 28 cm / 10.2"  
H: 37 cm / 14.5"

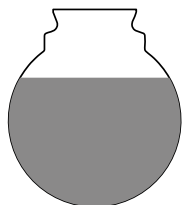
PESO / WEIGHT  
3,5 kg / 7.7 lbs



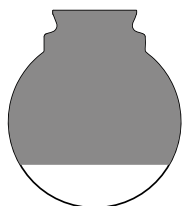
SFERE / SPHERES



Ø120  
SMOKE

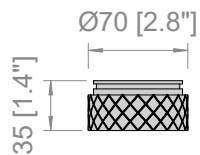


Ø120  
FLOOD

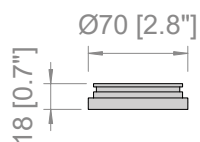


Ø120  
SPOT

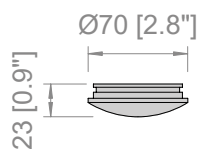
LENTI / LENSES



Ø70  
ENGRAVED



Ø70  
FLOOD



Ø70  
SPOT

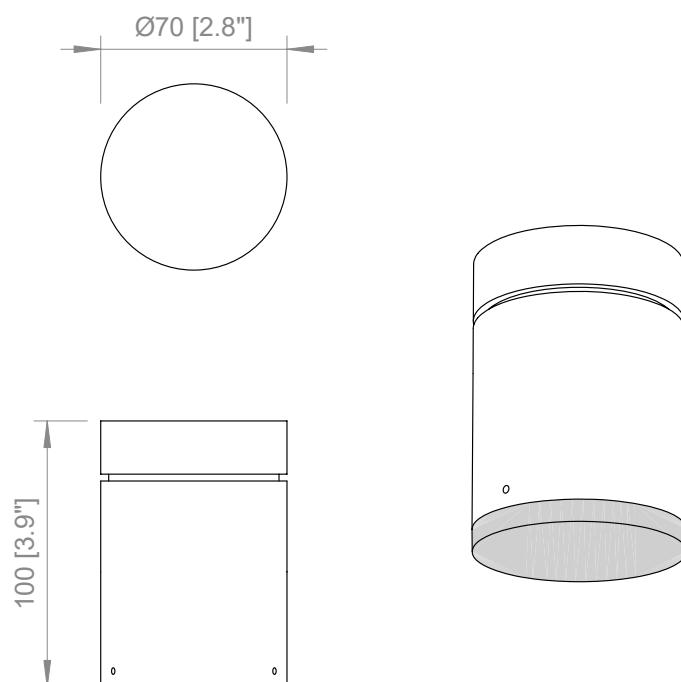
SFERE Ø120 / SPHERES Ø4.7"

PRODOTTO / PRODUCT | BOX 1

PESO / WEIGHT  
0,5 kg / 1.1 lbs

L: 19 cm / 7.5"  
W: 19 cm / 7.5"  
H: 19 cm / 7.5"

PESO / WEIGHT  
1 kg / 2.2 lbs



**PRODOTTO / PRODUCT**

PESO / WEIGHT  
0,5 kg / 1.1 lbs

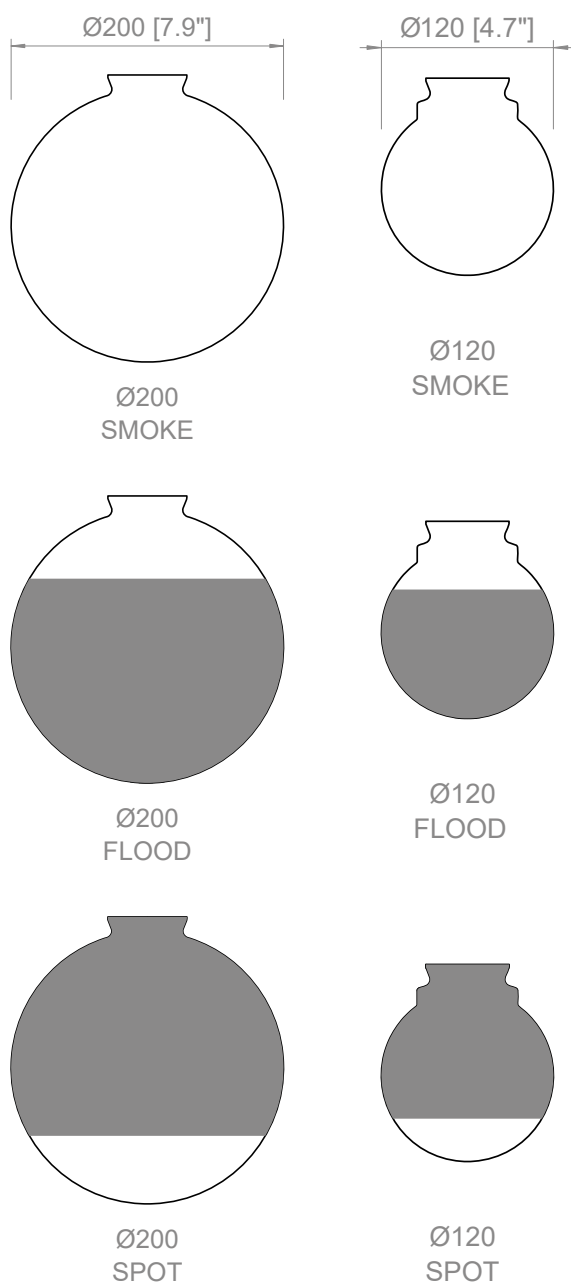
**BOX 1**

L: 16 cm / 6.3"  
W: 16 cm / 6.3"  
H: 11 cm / 4.3"

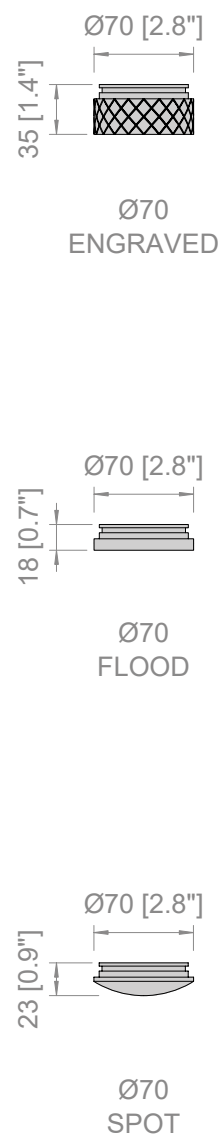
PESO / WEIGHT  
1 kg / 2.2 lbs



## SFERE / SPHERES



## LENTI / LENSES



## SFERE Ø120 / SPHERES Ø4.7"

PRODOTTO / PRODUCT

BOX 1

PESO / WEIGHT  
0,5 kg / 1.1 lbs

L: 19 cm / 7.5"  
W: 19 cm / 7.5"  
H: 19 cm / 7.5"

PESO / WEIGHT  
1 kg / 2.2 lbs

## SFERE Ø200 / SPHERES Ø7.8"

PRODOTTO / PRODUCT

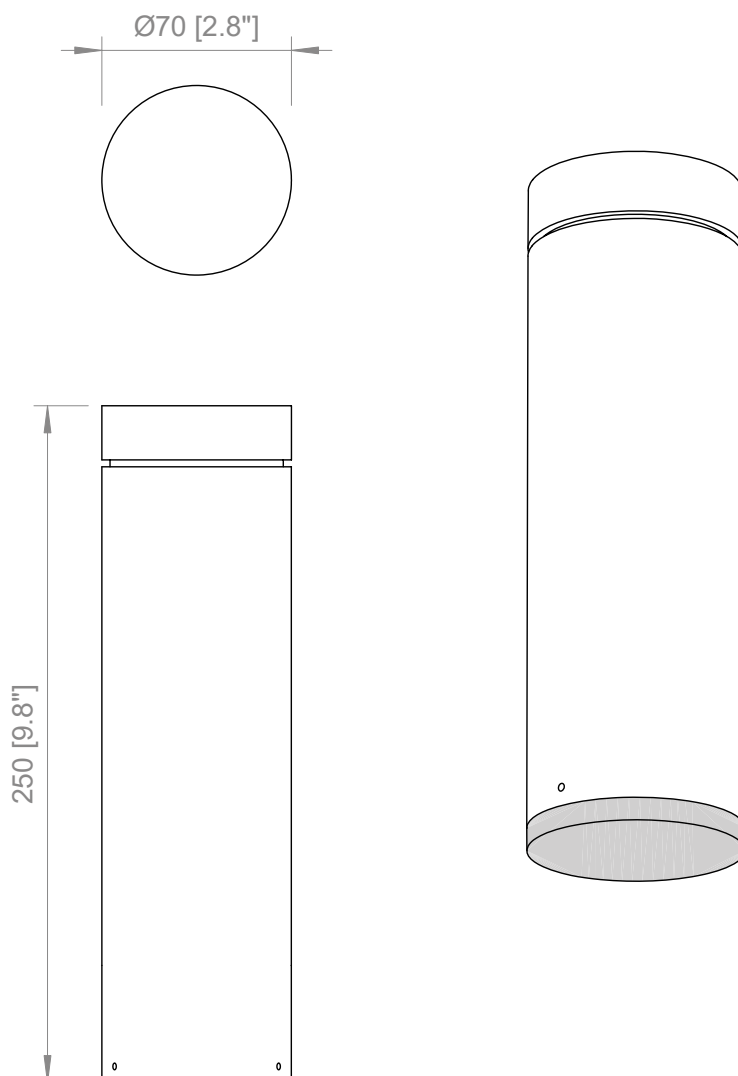
BOX 1

PESO / WEIGHT  
0,5 kg / 1.1 lbs

L: 27 cm / 10.6"  
W: 27 cm / 10.6"  
H: 29 cm / 11.4"

PESO / WEIGHT  
1 kg / 2.2 lbs





**PRODOTTO / PRODUCT**

PESO / WEIGHT  
1 kg / 2.2 lbs

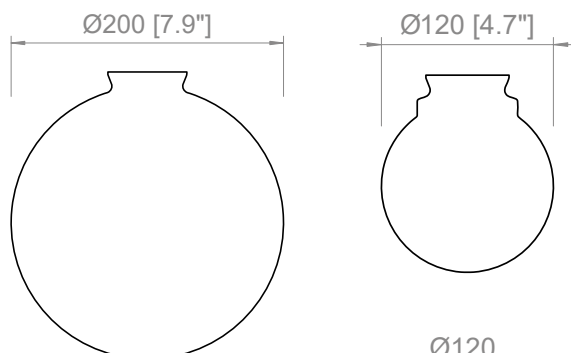
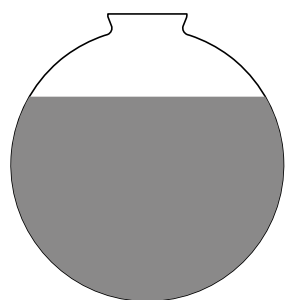
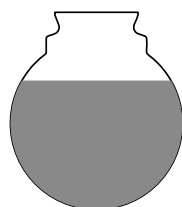
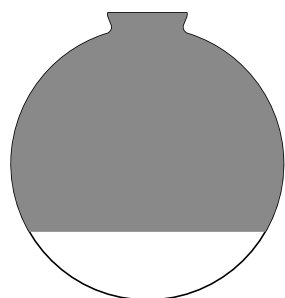
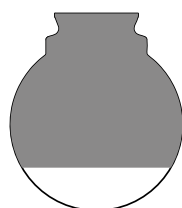
**BOX 1**

L: 16 cm / 6.3"  
W: 16 cm / 6.3"  
H: 28 cm / 11"

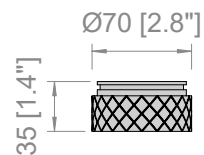
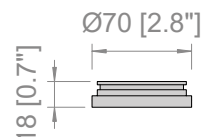
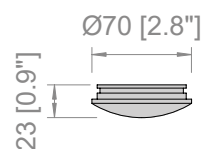
PESO / WEIGHT  
1,5 kg / 3.3 lbs



## SFERE / SPHERES

Ø200  
SMOKEØ120  
SMOKEØ200  
FLOODØ120  
FLOODØ200  
SPOTØ120  
SPOT

## LENTI / LENSES

Ø70  
ENGRAVEDØ70  
FLOODØ70  
SPOT

## SFERE Ø120 / SPHERES Ø4.7"

## PRODOTTO / PRODUCT

## BOX 1

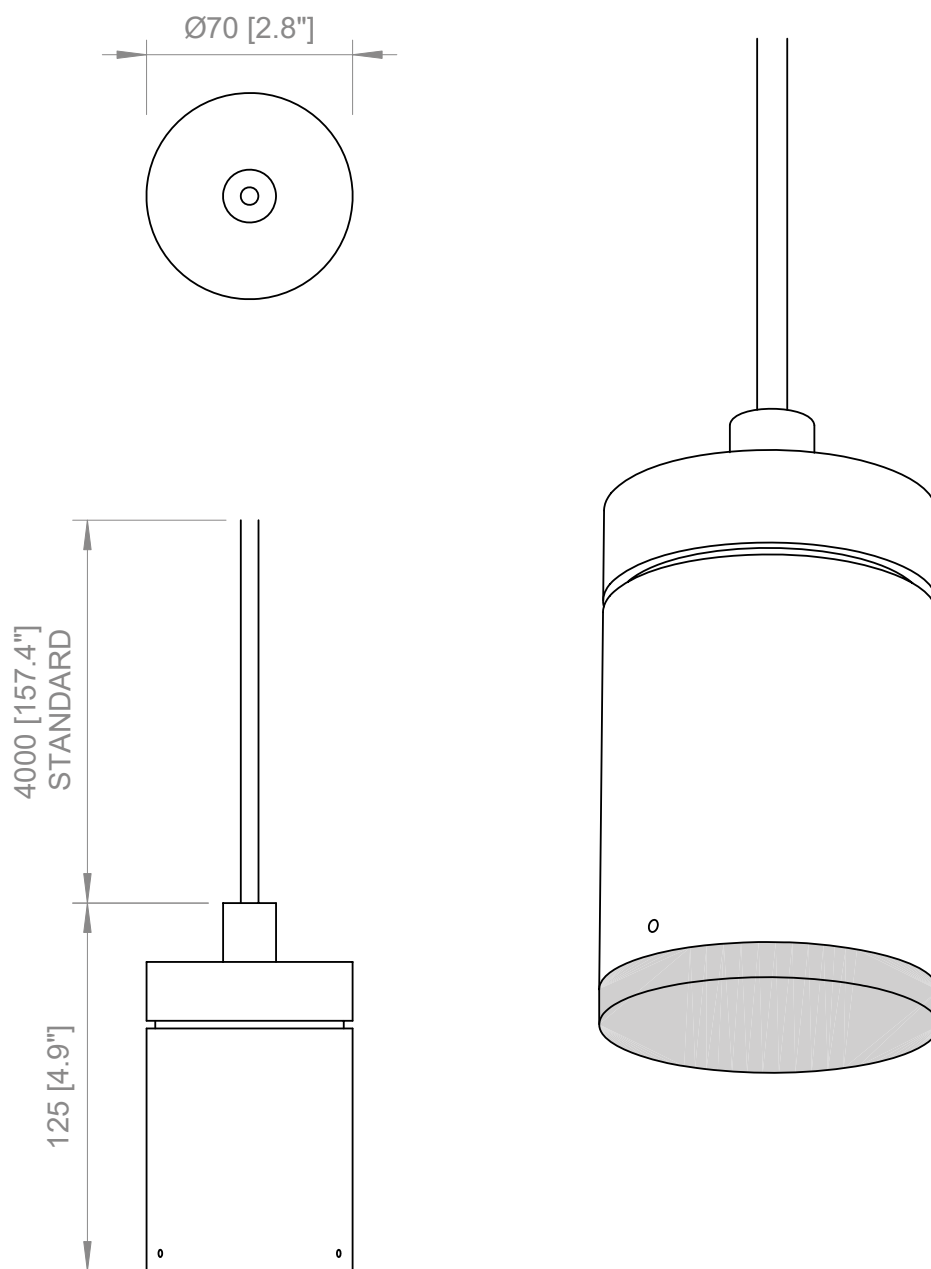
PESO / WEIGHT  
0,5 kg / 1.1 lbsL: 19 cm / 7.5"  
W: 19 cm / 7.5"  
H: 19 cm / 7.5"PESO / WEIGHT  
1 kg / 2.2 lbs

## SFERE Ø200 / SPHERES Ø7.8"

## PRODOTTO / PRODUCT

## BOX 1

PESO / WEIGHT  
0,5 kg / 1.1 lbsL: 27 cm / 10.6"  
W: 27 cm / 10.6"  
H: 29 cm / 11.4"PESO / WEIGHT  
1 kg / 2.2 lbs



PRODOTTO / PRODUCT

PESO / WEIGHT  
1 kg / 2.2 lbs

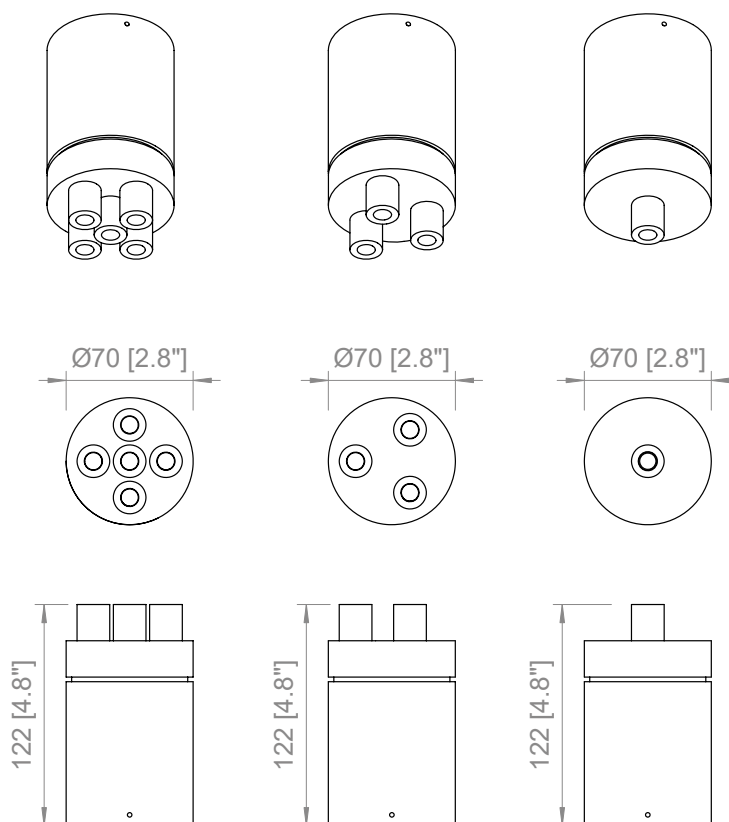
BOX 1

L: 33 cm / 13"  
W: 21 cm / 8.2"  
H: 12 cm / 4.7"

PESO / WEIGHT  
1,5 kg / 3.3 lbs



## ROSONI / CANOPIES



## CARRUCOLA - BLOCCA CAVO / PULLEY - CABLE CLAMP

ROSONI / CANOPIES  
 PRODOTTO / PRODUCT

PESO / WEIGHT  
 0,5 kg / 1.1 lbs

## BOX 1

L: 15 cm / 5.9"  
 W: 15 cm / 5.9"  
 H: 11,5 cm / 4.5"

PESO / WEIGHT  
 1 kg / 2.2 lbs

CARRUCOLA - BLOCCA CAVO /  
 PULLEY - CABLE CLAMP

## PRODOTTO / PRODUCT

PESO / WEIGHT  
 0,5 kg / 1.1 lbs

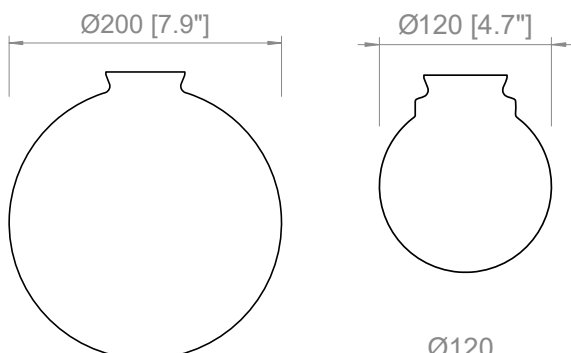
## BOX 1

L: 17 cm / 6.7"  
 W: 17 cm / 6.7"  
 H: 20 cm / 7.8"

PESO / WEIGHT  
 1 kg / 2.2 lbs

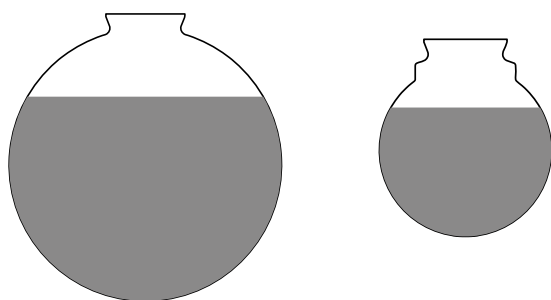


SFERE / SPHERES



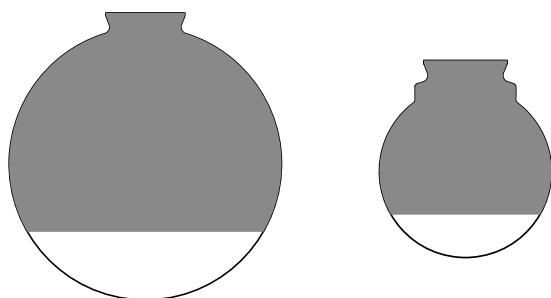
Ø200  
SMOKE

Ø120  
SMOKE



Ø200  
FLOOD

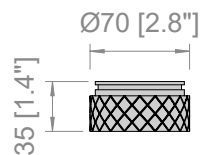
Ø120  
FLOOD



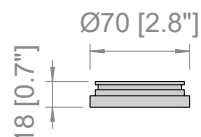
Ø200  
SPOT

Ø120  
SPOT

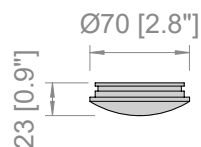
LENTI / LENSES



Ø70  
ENGRAVED



Ø70  
FLOOD



Ø70  
SPOT

SFERE Ø120 / SPHERES Ø4.7"

PRODOTTO / PRODUCT

BOX 1

PESO / WEIGHT  
0,5 kg / 1.1 lbs

L: 19 cm / 7.5"  
W: 19 cm / 7.5"  
H: 19 cm / 7.5"

PESO / WEIGHT  
1 kg / 2.2 lbs

SFERE Ø200 / SPHERES Ø7.8"

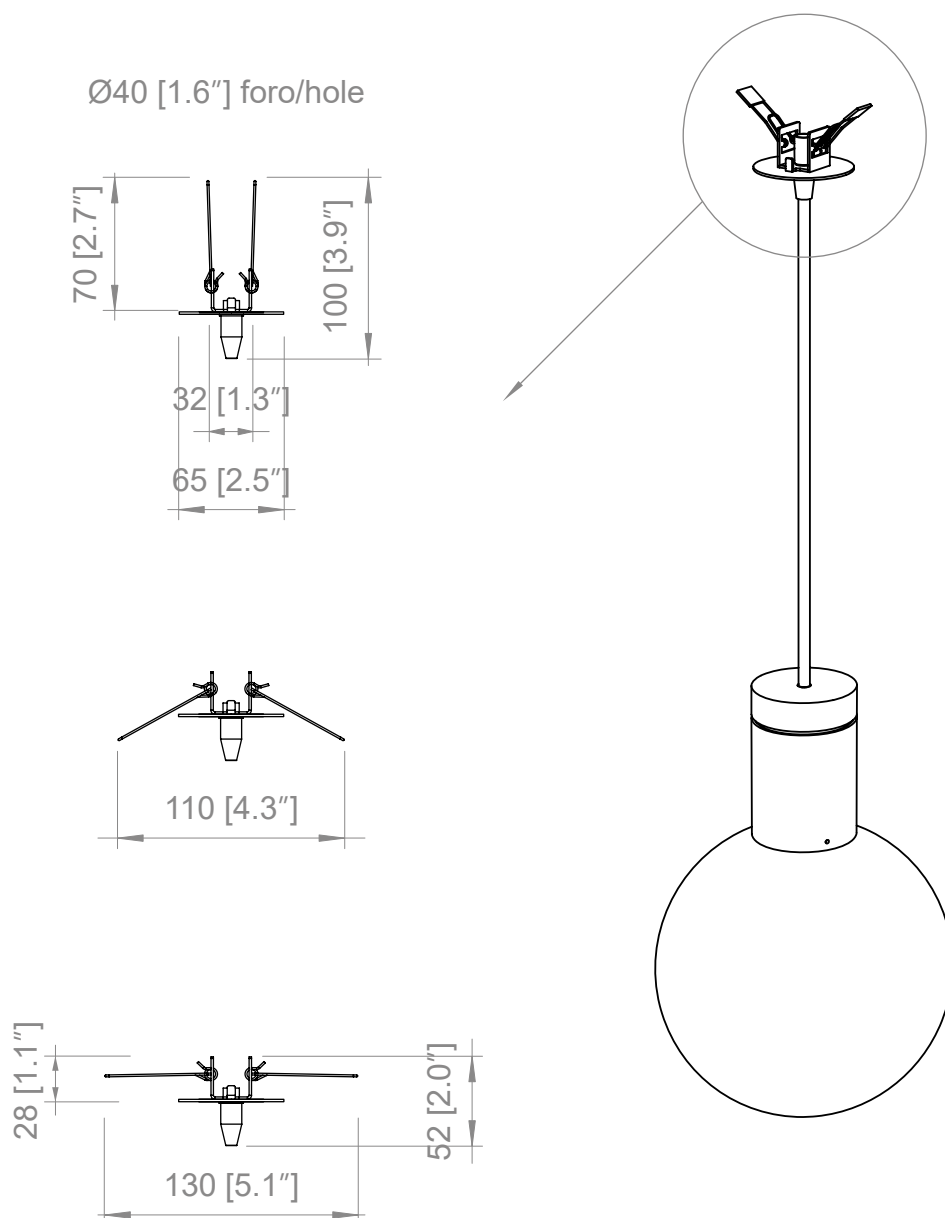
PRODOTTO / PRODUCT

BOX 1

PESO / WEIGHT  
0,5 kg / 1.1 lbs

L: 27 cm / 10.6"  
W: 27 cm / 10.6"  
H: 29 cm / 11.4"

PESO / WEIGHT  
1 kg / 2.2 lbs





Copyright and/or design rights subsist in this drawing. No part of this drawing may be reproduced in any material form (including photocopying or storing in any medium electronic means, whether or not intentionally and whether or not as part or a larger publication) without the express permission of the copyright owner, Contardi Lighting S.r.l.. Further and without prejudice to the above, this drawing and all information relating thereto is confidential, and shall not be communicated to a third party without the consent of Contardi lighting srl. Contardi lighting srl asserts all rights to be identified as the author of the work and otherwise.

**WARNING:** The doing of any unauthorised act in relation to a copyright work may result in both a civil claim for damages and criminal prosecution.

---

**CONTARDI LIGHTING Srl**

ITALY HEADQUARTERS

[www.contardi-italia.com](http://www.contardi-italia.com) / [sales@contardi-italia.it](mailto:sales@contardi-italia.it)

**CONTARDI USA Inc**

USA BRANCH

[www.contardi-usa.com](http://www.contardi-usa.com) / [sales@contardi-usa.com](mailto:sales@contardi-usa.com)

