

# CORNELIA

*Massimiliano Raggi*



SO



Sospensioni in vetro soffiato e poi "metallizzato sottovuoto", tecnica che dona un tocco di magia ed un gioco di suggestive trasparenze. Adesso disponibili nei nuovi colori. Sono realizzabili su richiesta composizioni multiple speciali.

*Suspensions in blown and then vacuum metallized glass, a technique that gives a touch of magic and a game of suggestive transparencies. Now available in new colours. Special multiple compositions are available upon request.*

SPECIFICHE PRODOTTO / PRODUCT SPECIFICS

p2

CORNELIA SO  
CORNELIA SO DIFFUSER + CABLE

p3  
p4

ATTACCO PER CONTROSOFFITTO / CONNECTION FOR FALSE CEILING

p5

**STRUTTURA / FRAME**

Bronzo spazzolato chiaro opaco  
*Matt light satin bronze*

**STRUTTURA CORNELIA CLUSTER  
CORNELIA CLUSTER FRAME**

Laccato effetto bronzo  
*Painted bronze effect*

**DIFFUSORE / DIFFUSER**

Vetro metallizzato ambra scuro  
*Dark amber metallized glass*



Vetro metallizzato rosa antico  
*Antique pink metallized glass*



Vetro metallizzato blu petrolio  
*Petrol blue metallized glass*

**CAVO / CABLE**

Tessuto bronzo  
*Bronze fabric*

SO  
H: 200 cm / H: 78.7"

**FRONTE LUMINOSA / LIGHT SOURCE**

E27 LED or Classic DECO LED  
Utilizzabili lampadine LED fino alla  
massima potenza disponibile sul  
mercato

*You can use LED light bulbs of the  
highest available wattage*

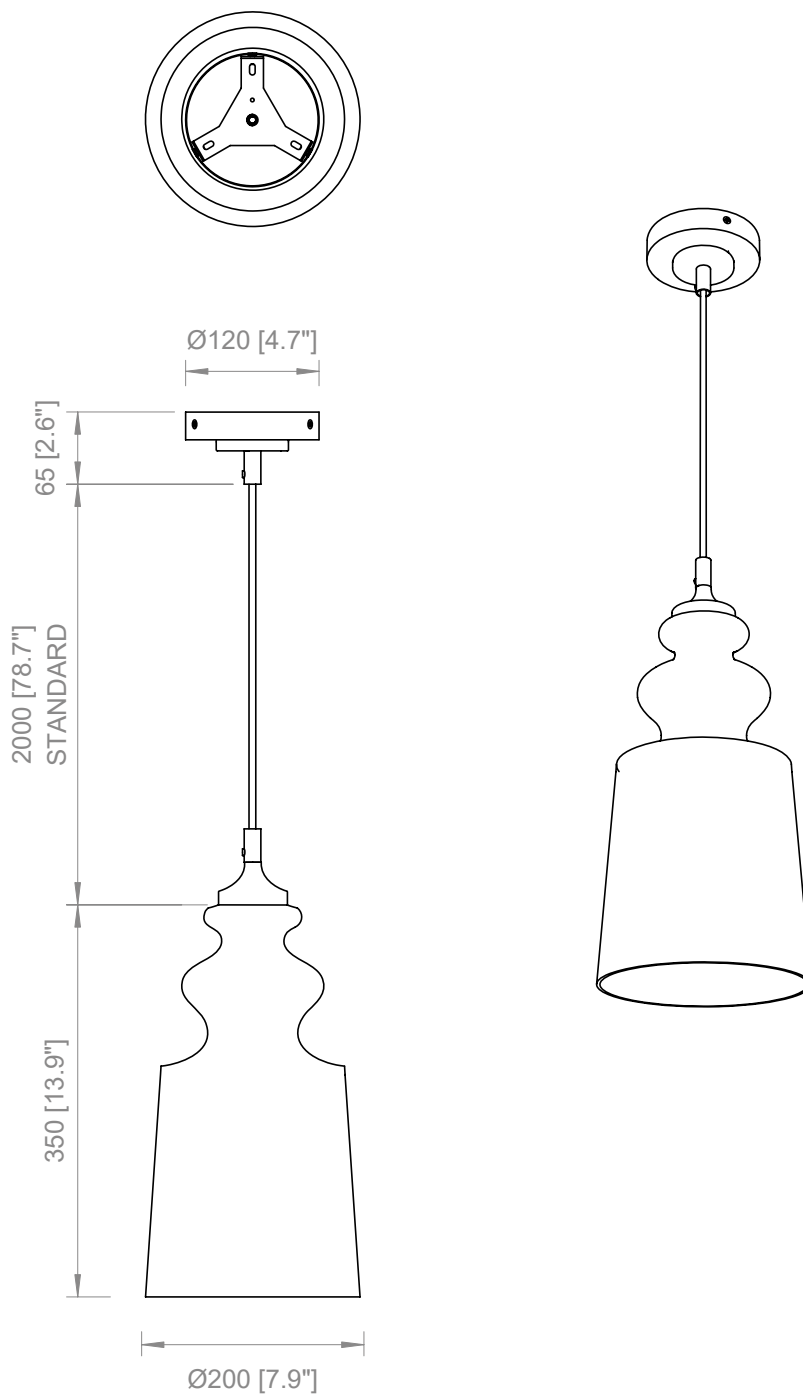
1 X E27 LED or Classic DECO LED  
Lampadina LED  
LED light bulb

**USA / LIGHT SOURCE**

E26 LED or Classic DECO LED  
You can use LED light bulbs of the  
highest available wattage

1 X E26 LED or Classic DECO LED  
LED light bulb





**PRODOTTO / PRODUCT**

PESO / WEIGHT  
1,5 kg / 3.3 lbs

**BOX 1**

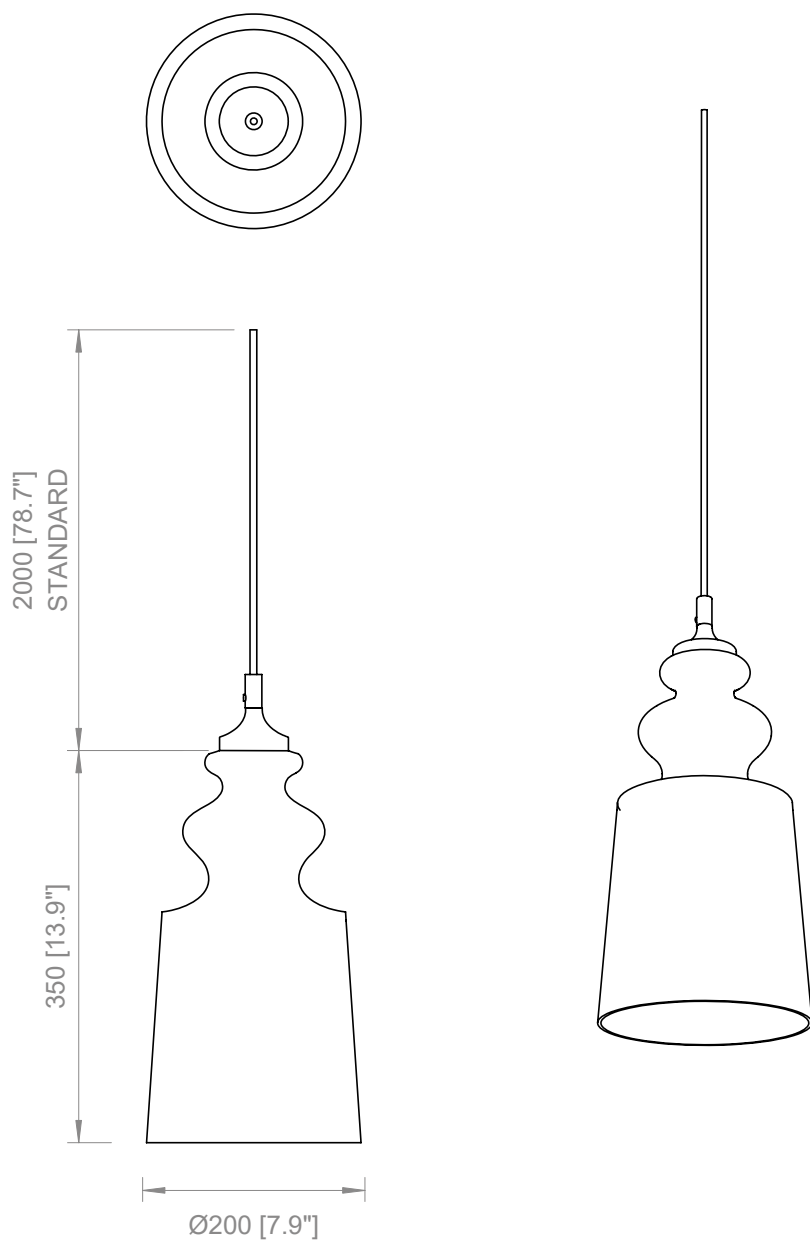
L: 25 cm / 9.8"  
W: 20 cm / 7.8"  
H: 22 cm / 8.6"

PESO / WEIGHT  
1 kg / 2.2 lbs

**BOX 2**

L: 27 cm / 10.6"  
W: 27 cm / 10.6"  
H: 42 cm / 16.5"

PESO / WEIGHT  
2 kg / 4.4 lbs



**PRODOTTO / PRODUCT**

PESO / WEIGHT  
1,5 kg / 3.3 lbs

**BOX 1**

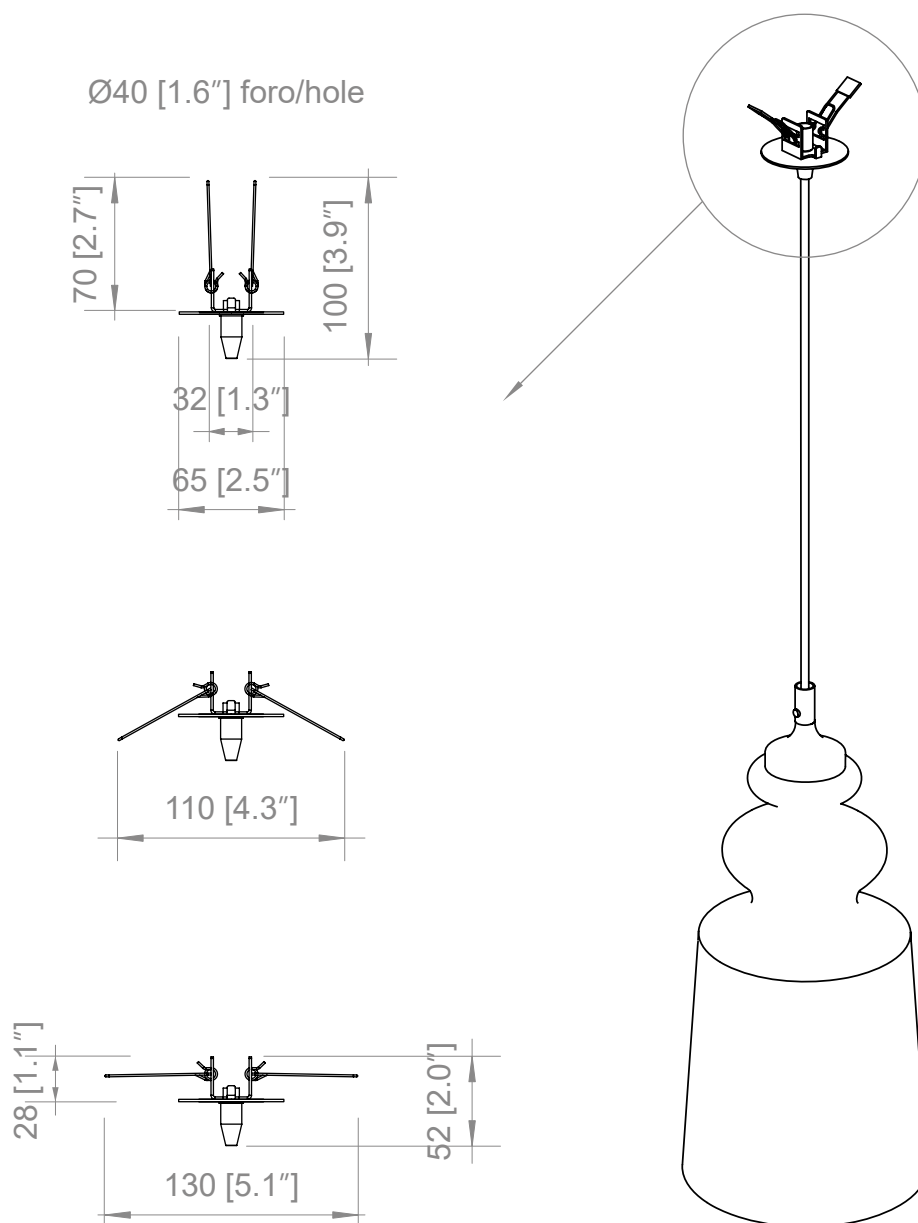
L: 25 cm / 9.8"  
W: 20 cm / 7.8"  
H: 22 cm / 8.6"

PESO / WEIGHT  
1 kg / 2.2 lbs

**BOX 2**

L: 27 cm / 10.6"  
W: 27 cm / 10.6"  
H: 42 cm / 16.5"

PESO / WEIGHT  
2 kg / 4.4 lbs





Copyright and/or design rights subsist in this drawing. No part of this drawing may be reproduced in any material form (including photocopying or storing in any medium electronic means, whether or not intentionally and whether or not as part or a larger publication) without the express permission of the copyright owner, Contardi Lighting S.r.l.. Further and without prejudice to the above, this drawing and all information relating thereto is confidential, and shall not be communicated to a third party without the consent of Contardi lighting srl. Contardi lighting srl asserts all rights to be identified as the author of the work and otherwise.

**WARNING:** The doing of any unauthorised act in relation to a copyright work may result in both a civil claim for damages and criminal prosecution.

---

**CONTARDI LIGHTING Srl**

ITALY HEADQUARTERS

[www.contardi-italia.com](http://www.contardi-italia.com) / [sales@contardi-italia.it](mailto:sales@contardi-italia.it)

**CONTARDI USA Inc**

USA BRANCH

[www.contardi-usa.com](http://www.contardi-usa.com) / [sales@contardi-usa.com](mailto:sales@contardi-usa.com)

