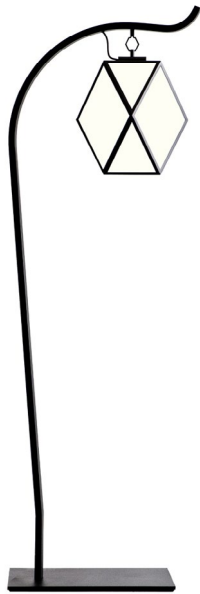


MUSE OUTDOOR

Tristan Auer



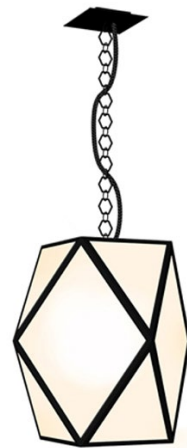
FL



SMALL BATTERY



MEDIUM



SO



Prodotto icona, una lanterna dal design originale e dai dettagli preziosi, come la maniglia in cuoio intrecciato, per un outdoor esclusivo e raffinato. Una "chicca" la versione a batteria ricaricabile, con crescenti applicazioni sia nel commerciale che nel navale.

An iconic product, a lantern with an original design and precious details, such as the braided leather handle, for an exclusive and refined outdoor. The rechargeable battery version is widely used, with increasing applications both in the commercial and in the naval sector.

SPECIFICHE PRODOTTO / PRODUCT SPECIFICS

MUSE OUTDOOR FL

p2

p4

MUSE OUTDOOR MEDIUM

p5

MUSE OUTDOOR LARGE

p6

MUSE OUTDOOR SMALL BATTERY

p7

MUSE OUTDOOR MEDIUM BATTERY

p8

MUSE OUTDOOR SO MEDIUM

p9

MUSE OUTDOOR SO LARGE

p10



STRUTTURA / FRAME



Laccato bianco opaco
Trattamento cataforesi Marine
Grade

*Matt white lacquered
Marine Grade with cataphoresis
treatment*



Laccato nero opaco
Trattamento cataforesi Marine
Grade

*Matt black lacquered
Marine Grade with cataphoresis
treatment*



Maniglia in cuoio intrecciato
bianco / nero

Black / white braided leather handle

DIFFUSORE / DIFFUSER



Acrilico satinato
Satin finish acrylic



F.M. Architettura d'Interni
©Stuart Pearce



CAVO / CABLE

SO
Cavo nero e catena in metallo
Black cable and metal chain
H: 150 cm
H: 59"

TA / FL
Cavo nero
Black cable
IP68 outdoor connector
L: 200 cm
L: 78,7"



FONTE LUMINOSA / LIGHT SOURCE

Versione CABLATA
WIRED version



E27 T8 Tubular LED
Utilizzabili lampadine LED fino alla massima potenza disponibile sul mercato

You can use LED light bulbs of the highest available wattage

H max. 14,5 cm / 5,7"



1 X E27 T8
Lampadina Tubular LED
Tubular LED bulb
IP65

Versione BATTERIA
BATTERY version



Custom LED
IP65
Autonomia: 6/8 ore
Cicli di vita: 600
Tempi di ricarica: circa 4 ore
Fornito con caricabatterie

Autonomy: 6/8 hours
Lifestyle cycles: 600
Charging time: about 4 hours
Supplied with battery charger

1 X 3W
Custom LED
Lumen: 500
3.000 K; CRI: >90
IP65



Muse Outdoor FL, MEDIUM, LARGE,
SO MEDIUM & SO LARGE

USA / LIGHT SOURCE

WIRED version



You can use LED light bulbs of the highest available wattage

H max. 14,5 cm / 5,7"



1 X E26 T8
Tubular LED bulb
IP65

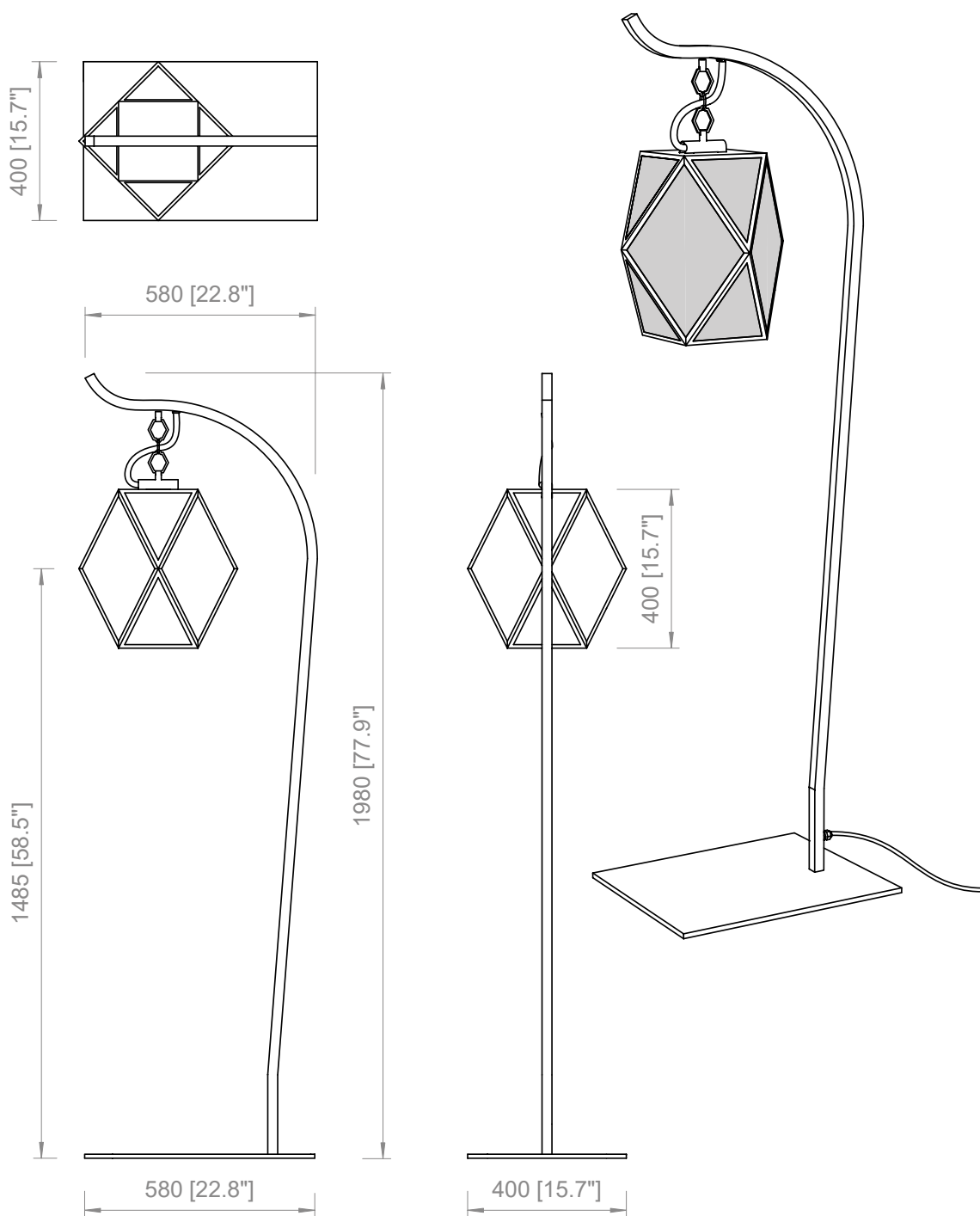
BATTERY version



Autonomy: 6/8 hours
Lifestyle cycles: 600
Charging time: about 4 hours
Supplied with battery charger

1 X 3W
Custom LED
Lumen: 500
3.000 K; CRI: >90
IP65





PRODOTTO / PRODUCT

PESO / WEIGHT
30 kg / 66.1 lbs

BOX 1

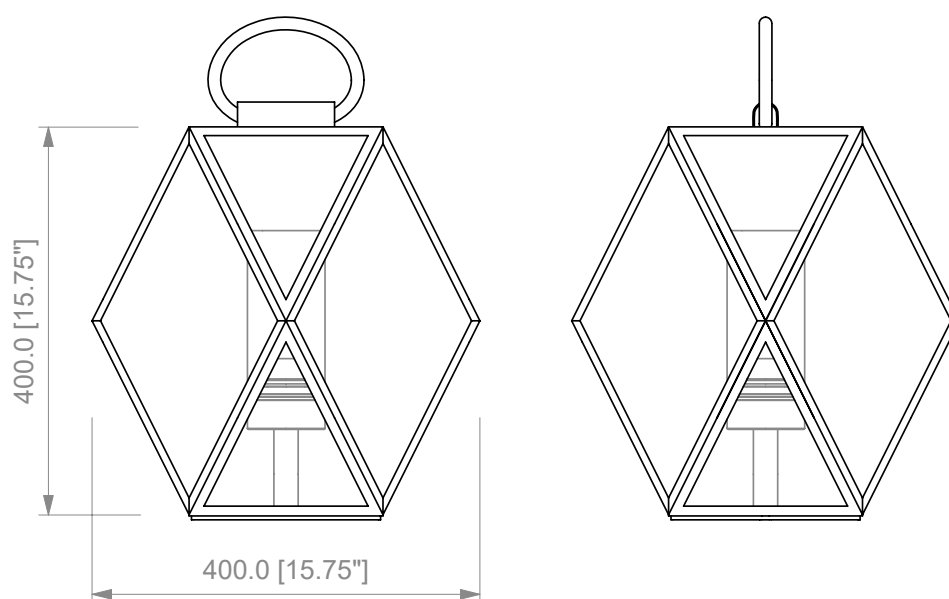
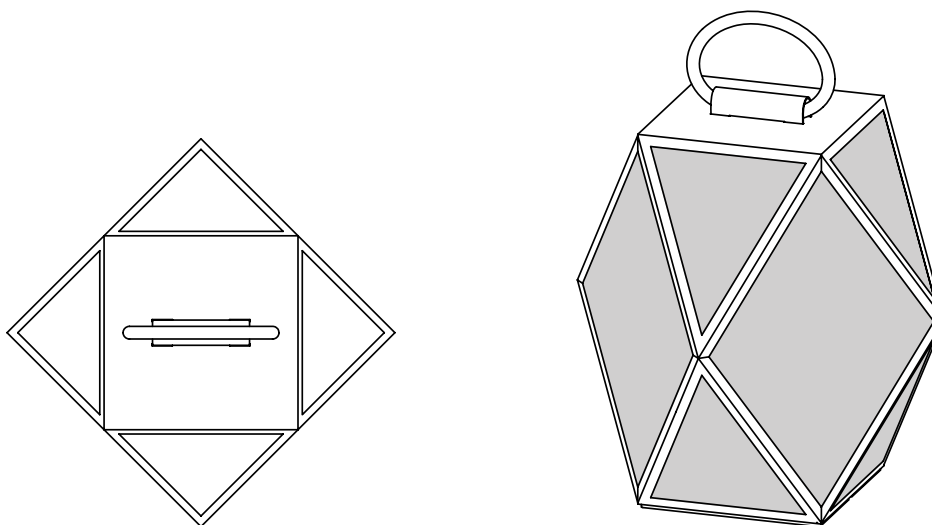
L: 61 cm / 24"
W: 37 cm / 14.5"
H: 220 cm / 86.6"

PESO / WEIGHT
15 kg / 33 lbs

BOX 2

L: 42 cm / 16.5"
W: 59 cm / 23.2"
H: 5 cm / 1.9"

PESO / WEIGHT
18 kg / 39.6 lbs



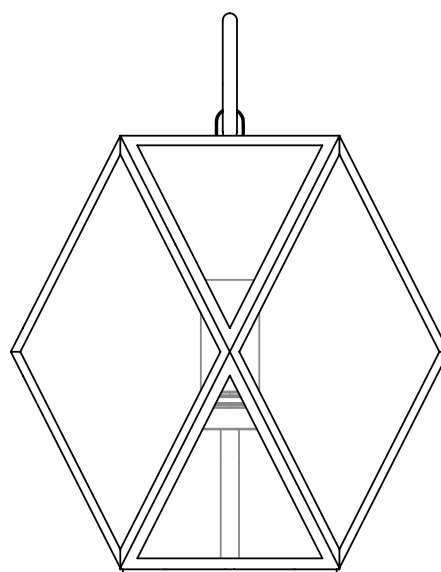
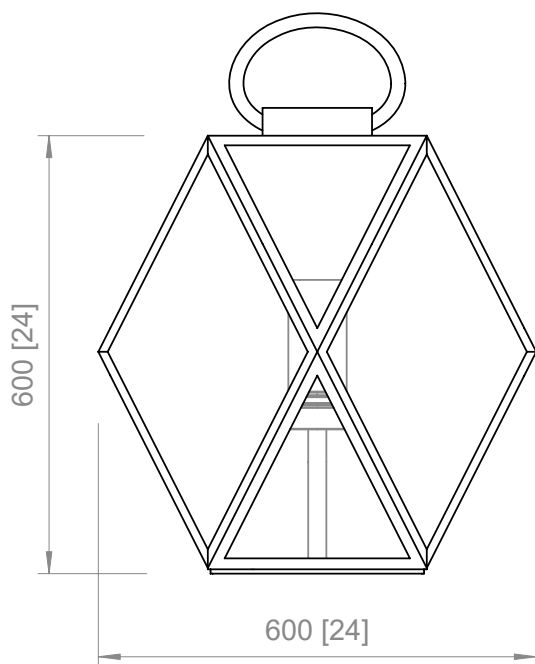
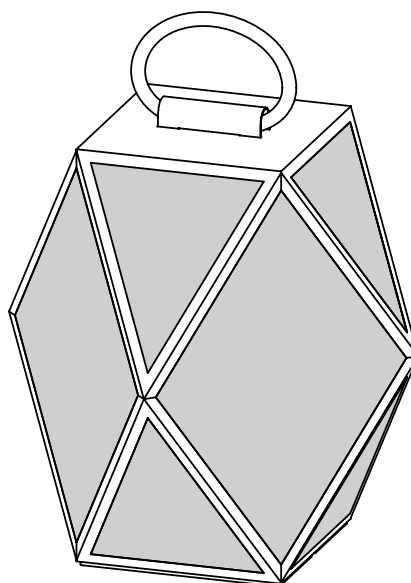
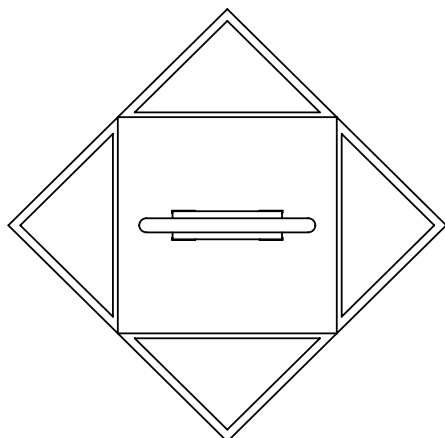
PRODOTTO / PRODUCT

PESO / WEIGHT
6 kg / 13.2 lbs

BOX 1

L: 52 cm / 20.4"
W: 52 cm / 20.4"
H: 55 cm / 21.6"

PESO / WEIGHT
7 kg / 15.4 lbs



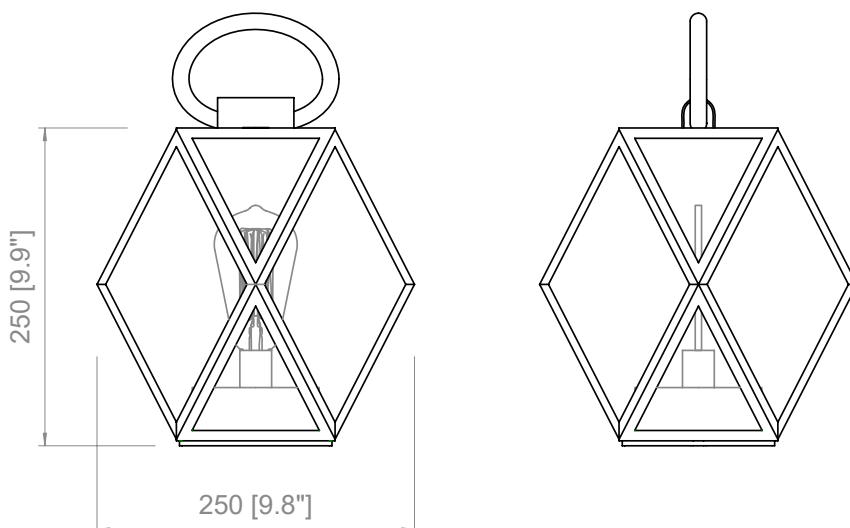
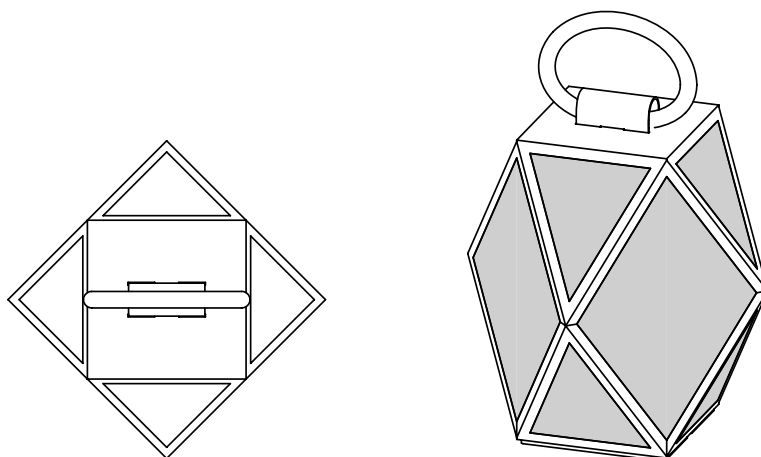
PRODOTTO / PRODUCT

PESO / WEIGHT
11 kg / 24.2 lbs

BOX 1

L: 64 cm / 25.2"
W: 64 cm / 25.2"
H: 73 cm / 28.7"

PESO / WEIGHT
12,5 kg / 27.5 lbs



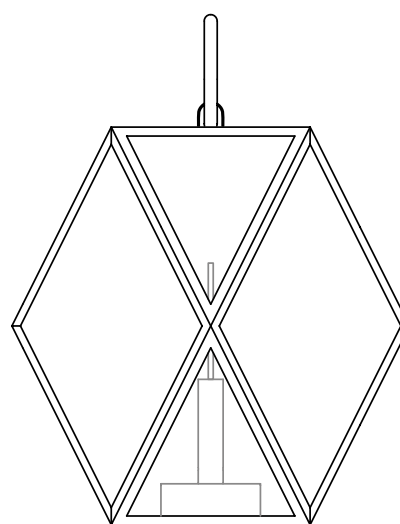
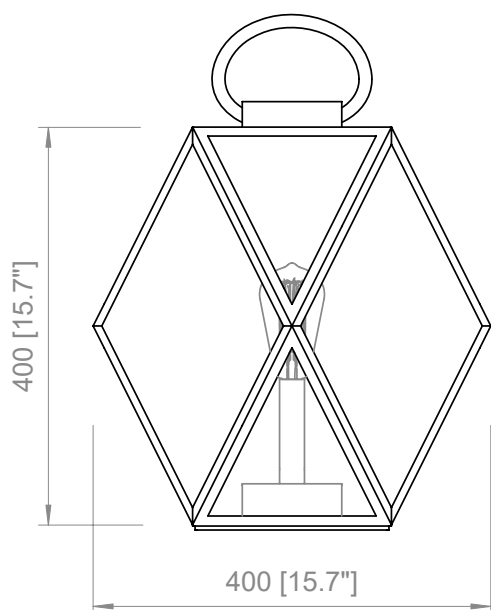
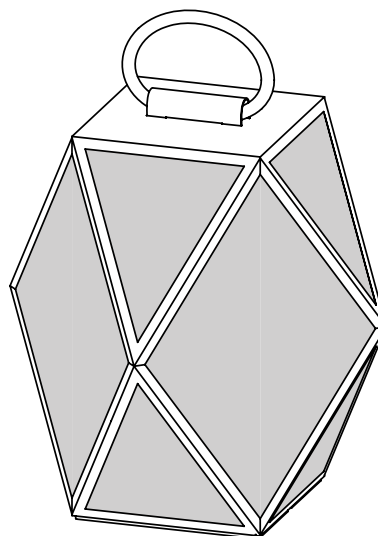
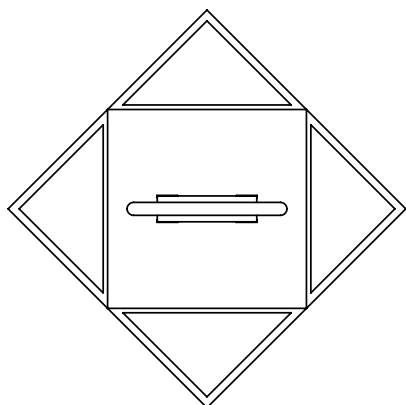
PRODOTTO / PRODUCT

BOX 1

PESO / WEIGHT
1 kg / 2.2 lbs

L: 32 cm / 12.6"
W: 32 cm / 12.6"
H: 33 cm / 13"

PESO / WEIGHT
2,5 kg / 5.5 lbs



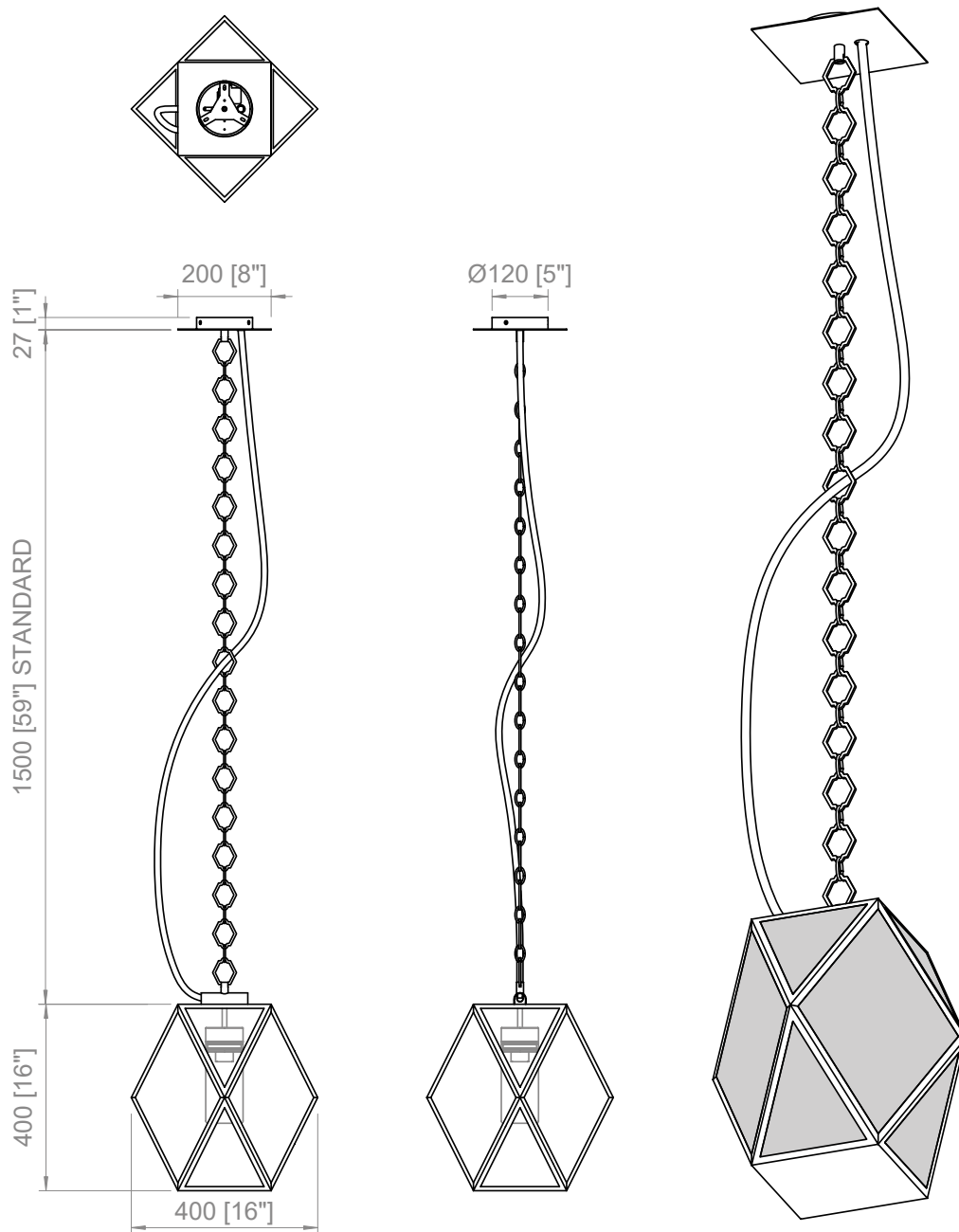
PRODOTTO / PRODUCT

PESO / WEIGHT
6 kg / 13.2 lbs

BOX 1

L: 52 cm / 20.4"
W: 52 cm / 20.4"
H: 55 cm / 21.6"

PESO / WEIGHT
7 kg / 15.4 lbs



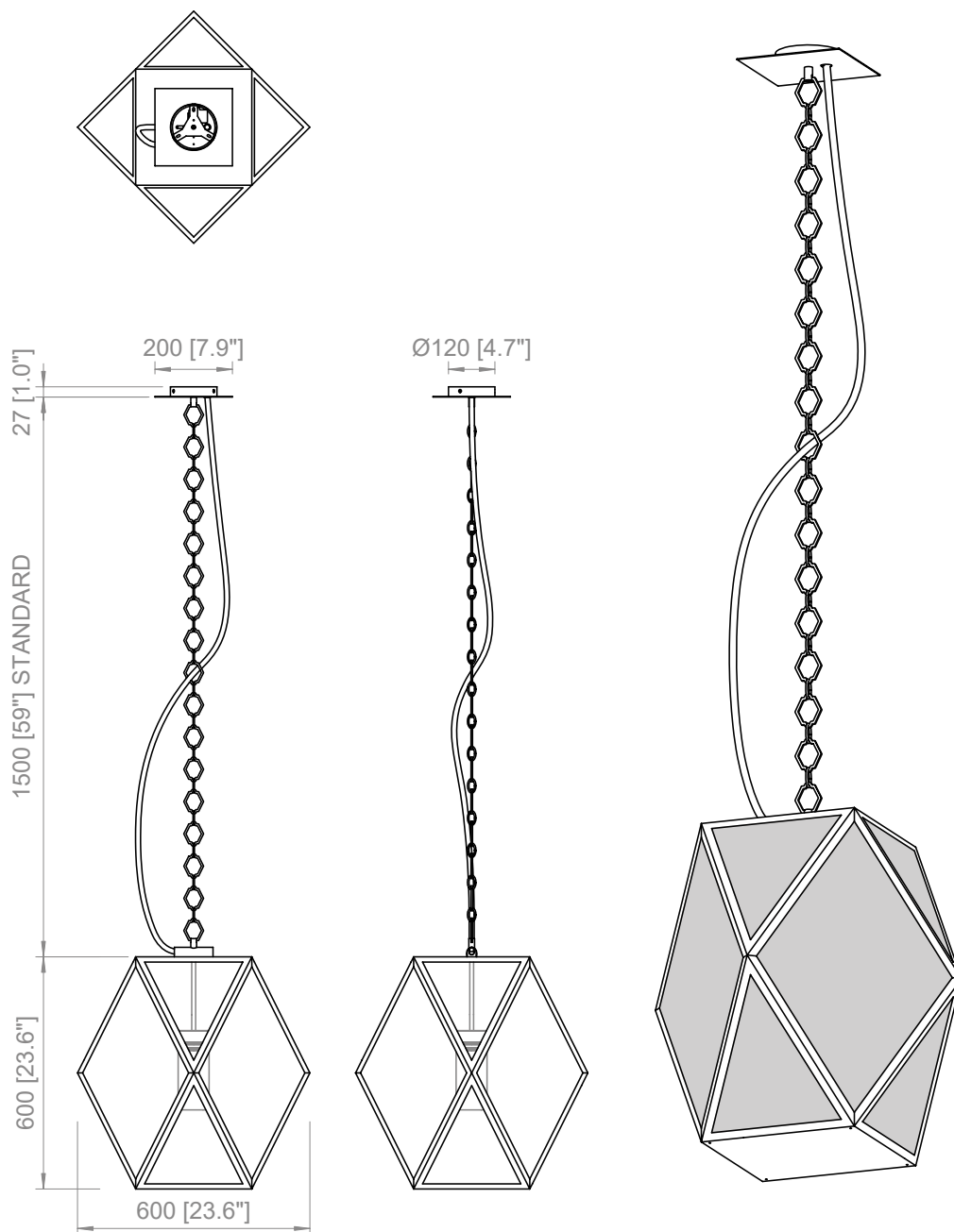
PRODOTTO / PRODUCT

PESO / WEIGHT
6 kg / 13.2 lbs

BOX 1

L: 52 cm / 20.4"
W: 52 cm / 20.4"
H: 55 cm / 21.6"

PESO / WEIGHT
7 kg / 15.4 lbs



PRODOTTO / PRODUCT

BOX 1

PESO / WEIGHT
11 kg / 24.2 lbs

L: 64 cm / 25.2"
W: 64 cm / 25.2"
H: 73 cm / 28.7"

PESO / WEIGHT
12,5 kg / 27.5 lbs



Copyright and/or design rights subsist in this drawing. No part of this drawing may be reproduced in any material form (including photocopying or storing in any medium electronic means, whether or not intentionally and whether or not as part or a larger publication) without the express permission of the copyright owner, Contardi Lighting S.r.l.. Further and without prejudice to the above, this drawing and all information relating thereto is confidential, and shall not be communicated to a third party without the consent of Contardi lighting srl. Contardi lighting srl asserts all rights to be identified as the author of the work and otherwise.

WARNING: The doing of any unauthorised act in relation to a copyright work may result in both a civil claim for damages and criminal prosecution.

CONTARDI LIGHTING Srl

ITALY HEADQUARTERS

www.contardi-italia.com / sales@contardi-italia.it

CONTARDI USA Inc

USA BRANCH

www.contardi-usa.com / sales@contardi-usa.com

