

UFFIZI

Massimiliano Raggi



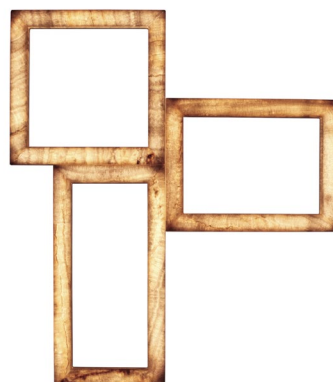
AP 1



AP 2



AP 3



AP TRIO



TA



Una cornice luminosa, essenziale ed allo stesso tempo preziosa e antica come il marmo onice di cui è fatta. Uffizi non è solo un oggetto di decorazione ma un apparecchio di illuminazione vero e funzionale, grazie ad uno speciale profilo LED, realizzato su misura. In grado di fornire un'illuminazione potente e dimmerabile.

A luminous, essential and at the same time a precious and ancient frame like the onyx marble which it is made of. Uffizi is not just a decorative object but a real and functional lighting device, thanks to a special custom-made LED profile, capable to provide powerful and dimmable lighting.

SPECIFICHE PRODOTTO / PRODUCT SPECIFICS

UFFIZI AP 1

p2

UFFIZI AP 2

p3

UFFIZI AP 3

p4

p5

UFFIZI AP TRIO

p6

UFFIZI TA

p7



STRUTTURA / FRAME

Nickel lucido
Polished nickel

DIFFUSORE / DIFFUSER

Cornice in marmo onice ambra
Amber onyx marble frame

CAVO - INTERRUTTORE / CABLE - SWITCH

Tessuto nero
Pulsante dimmerabile sulla base
*Black fabric
Dimmable push switch on the base*

TA
L: 200 cm
L: 78.7"

FRONTE LUMINOSA / LIGHT SOURCE

Strip LED

DIMMERABILE / DIMMABLE

TA
Dimmerabile sulla base
Dimmable on the base

AP
Compatibili con sistemi di controllo remoto
Compatible with remote control systems

AP 1 / AP 2 / AP 3 / TA

1 X 25W
Lumen: 2.100
2.700 K; CRI: >90

AP TRIO

3 X 25W
Lumen: 6.300
2.700 K; CRI: >90



 Uffizi TA

USA / CABLE - SWITCH

Black cable
Dimmable push switch on the base

TA
L: 78.7"

USA / LIGHT SOURCE

Strip LED

DIMMABLE

TA
Dimmable on the base

AP
Compatible with remote control systems

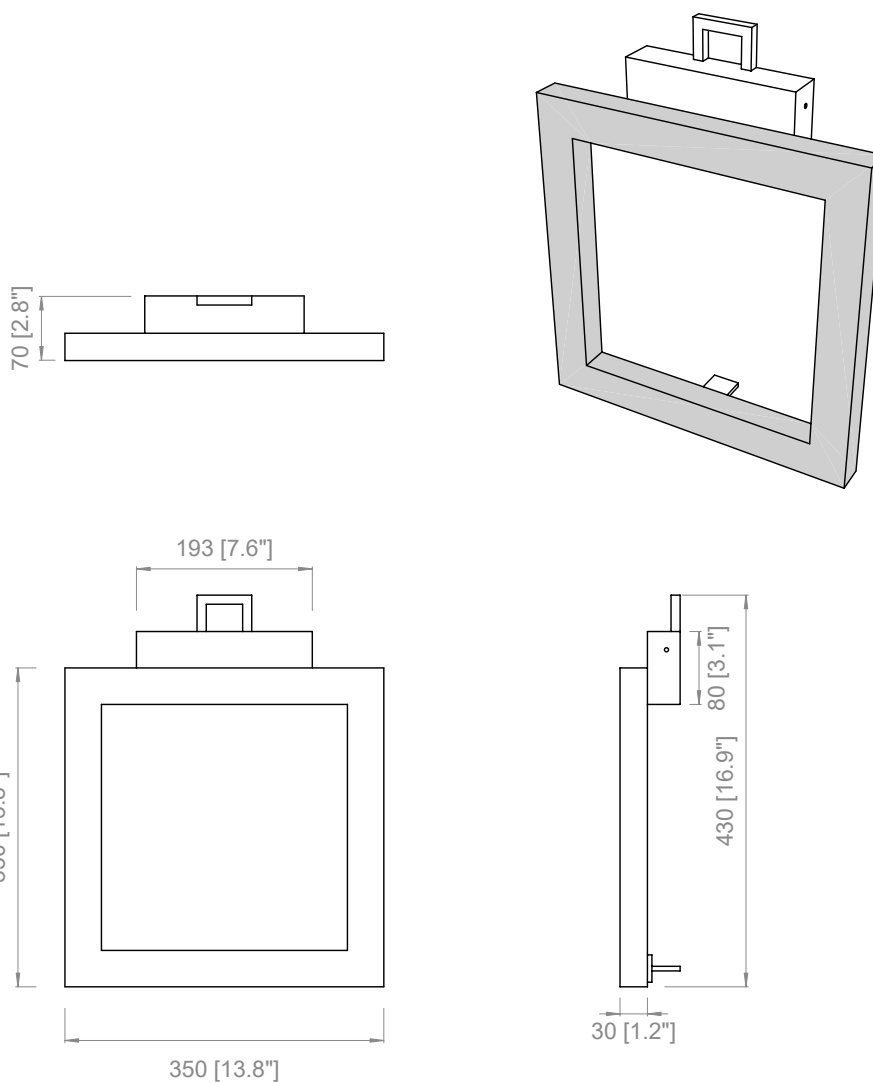
**AP 1 / AP 2 / AP 3 / TA**

1 X 25W
Lumen: 2.100
2.700 K; CRI: >90

AP TRIO

3 X 25W
Lumen: 6.300
2.700 K; CRI: >90





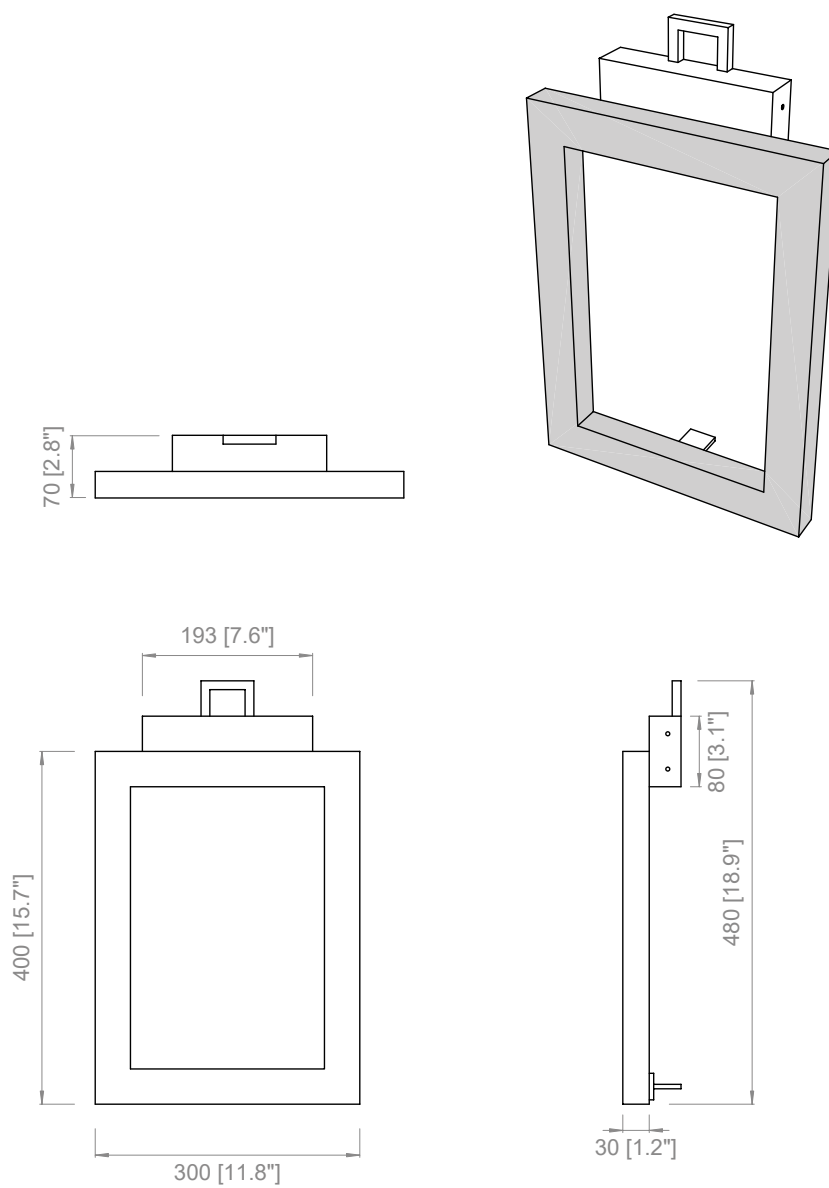
PRODOTTO / PRODUCT

PESO / WEIGHT
3 kg / 6.6 lbs

BOX 1

L: 12 cm / 4.7"
W: 41 cm / 16.1"
H: 67 cm / 26.3"

PESO / WEIGHT
4 kg / 8.8 lbs



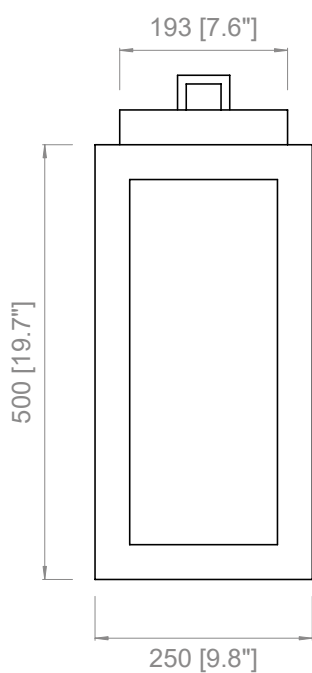
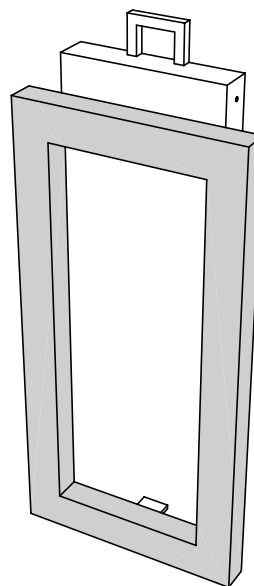
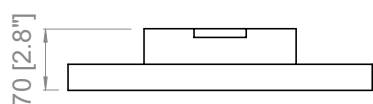
PRODOTTO / PRODUCT

PESO / WEIGHT
3 kg / 6.6 lbs

BOX 1

L: 12 cm / 4.7"
W: 41 cm / 16.1"
H: 67 cm / 26.3"

PESO / WEIGHT
4 kg / 8.8 lbs



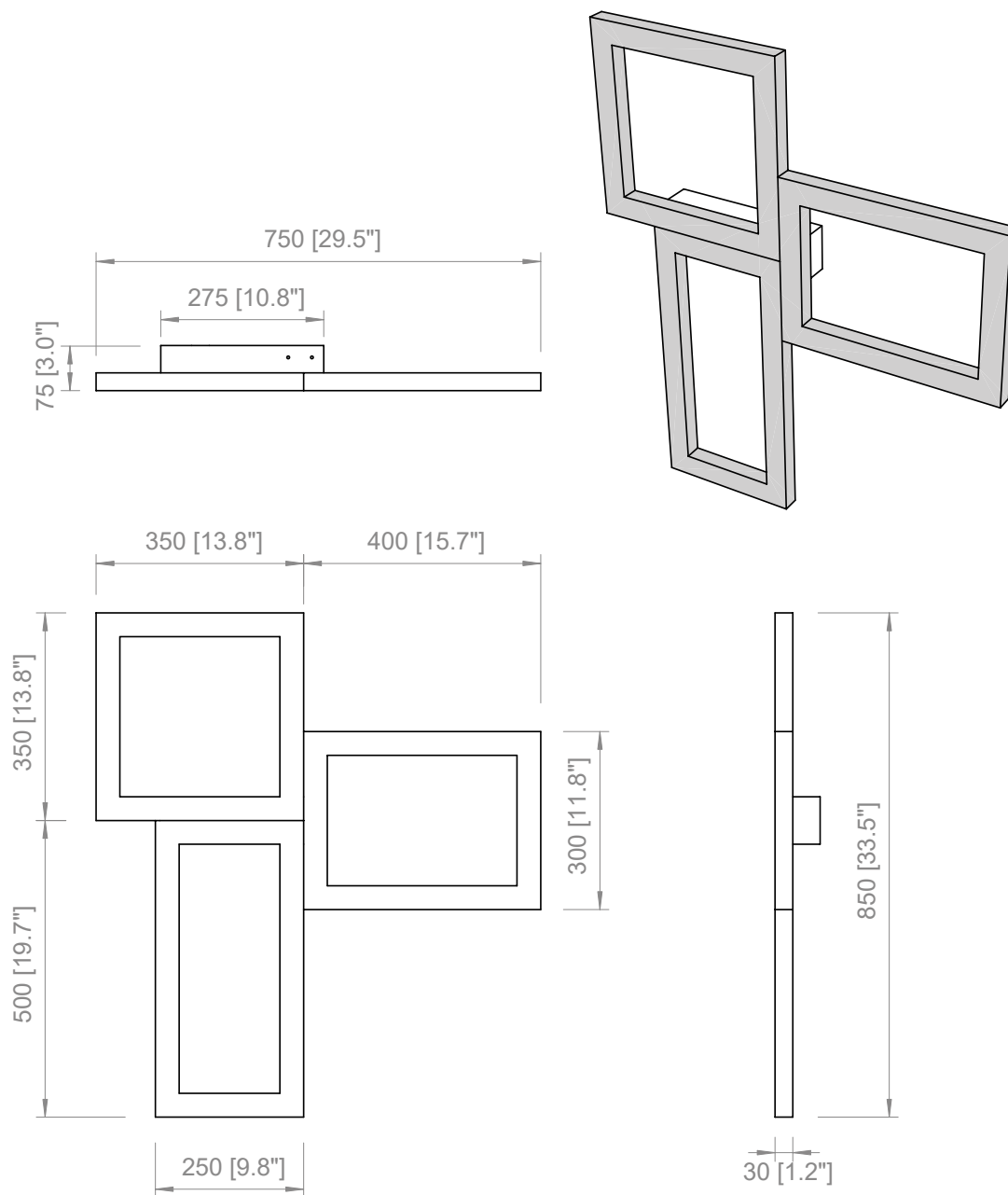
PRODOTTO / PRODUCT

PESO / WEIGHT
3 kg / 6.6 lbs

BOX 1

L: 12 cm / 4.7"
W: 41 cm / 16.1"
H: 67 cm / 26.3"

PESO / WEIGHT
4 kg / 8.8 lbs



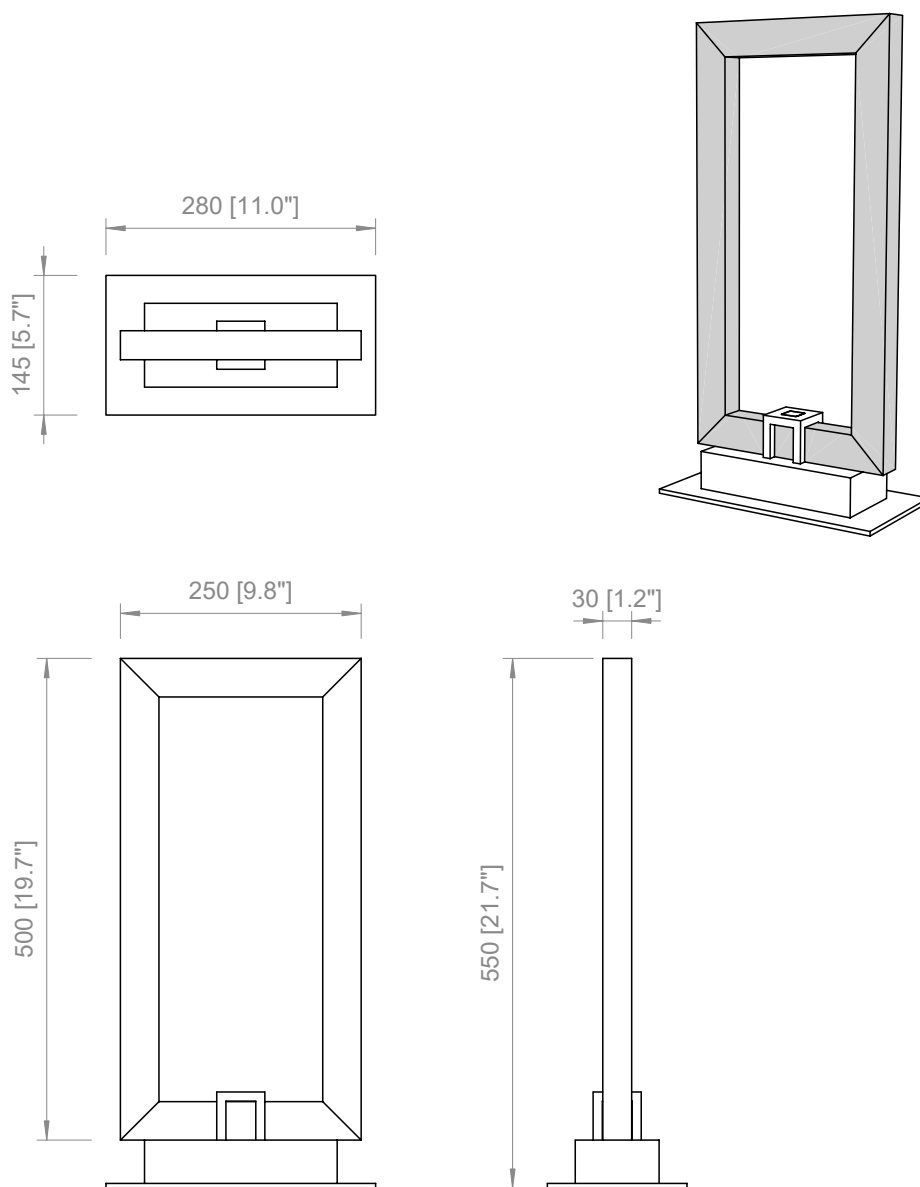
PRODOTTO / PRODUCT

PESO / WEIGHT
13 kg / 28.6 lbs

BOX 1

L: 110 cm / 43.3"
W: 110 cm / 43.3"
H: 13 cm / 5.1"

PESO / WEIGHT
14 kg / 16.5 lbs



PRODOTTO / PRODUCT

PESO / WEIGHT
5 kg / 11 lbs

BOX 1

L: 34 cm / 13.4"
W: 28 cm / 10.2"
H: 69 cm / 27.1"

PESO / WEIGHT
6 kg / 13.2 lbs



Copyright and/or design rights subsist in this drawing. No part of this drawing may be reproduced in any material form (including photocopying or storing in any medium electronic means, whether or not intentionally and whether or not as part or a larger publication) without the express permission of the copyright owner, Contardi Lighting S.r.l.. Further and without prejudice to the above, this drawing and all information relating thereto is confidential, and shall not be communicated to a third party without the consent of Contardi lighting srl. Contardi lighting srl asserts all rights to be identified as the author of the work and otherwise.

WARNING: The doing of any unauthorised act in relation to a copyright work may result in both a civil claim for damages and criminal prosecution.

CONTARDI LIGHTING Srl

ITALY HEADQUARTERS

www.contardi-italia.com / sales@contardi-italia.it

CONTARDI USA Inc

USA BRANCH

www.contardi-usa.com / sales@contardi-usa.com

