

VEGAS

Massimiliano Raggi



SO



Vegas è la sorella maggiore di Eclisse, riprendendone le caratteristiche, ma sviluppandosi in grandezza ed in lunghezza. Sospensione ad anelli, realizzati in legno con finitura bronzo (in due tonalità), attraverso le nuove tecniche di verniciatura con polveri di metallo: l'effetto è quello del bronzo spazzolato su metallo. Contardi propone la luce principale, dimmerabile, inserita nel rosone e centrata sugli anelli aperti. Gli anelli chiusi, in alternanza, invece emettono una luce più soft e delicata, diffusa dal materiale plastico speciale con venature, che ricorda il marmo. Le due sorgenti sono comandabili separatamente e la corrente è condotta dai cavi coassiali di tenuta, senza alcun cavo di alimentazione, garantendo il massimo risultato di pulizia formale. Adesso disponibile anche nella versione bianco opaco.

Through new innovative and unique techniques was born Vegas. A suspension lamp with six multi-sized rings made of wood, Vegas stands out by using a new method of painting wood with metal powders; creating the illusion of a satin bronze & light satin bronze metal finish, while offering the benefit of a lighter weight, more sustainable fixture. The small rings emit a soft light diffused by a special acrylic material with characteristic veining similar to that of marble. The main light comes from three dimmable COB LED built in to the canopy. The two light sources can be controlled separately and the current is led through coaxial suspension cables without any power cable, guaranteeing the maximum neatness of form. Now also available in a total white finish.

SPECIFICHE PRODOTTO / PRODUCT SPECIFICS

p2

VEGAS SO

p4



STRUTTURA / FRAME



Rosone bronzo spazzolato
Satin bronze canopy



Rosone laccato bianco opaco
Matt white lacquered canopy

DIFFUSORE / DIFFUSER



Anello grande in legno bronzo
scuro
*Larger ring in dark bronze
painted wood*



Anelli in legno verniciati bianco
opaco
Rings in matt white painted wood



Anelli piccoli in legno bronzo
chiaro
*Smaller rings in light bronze
painted wood*

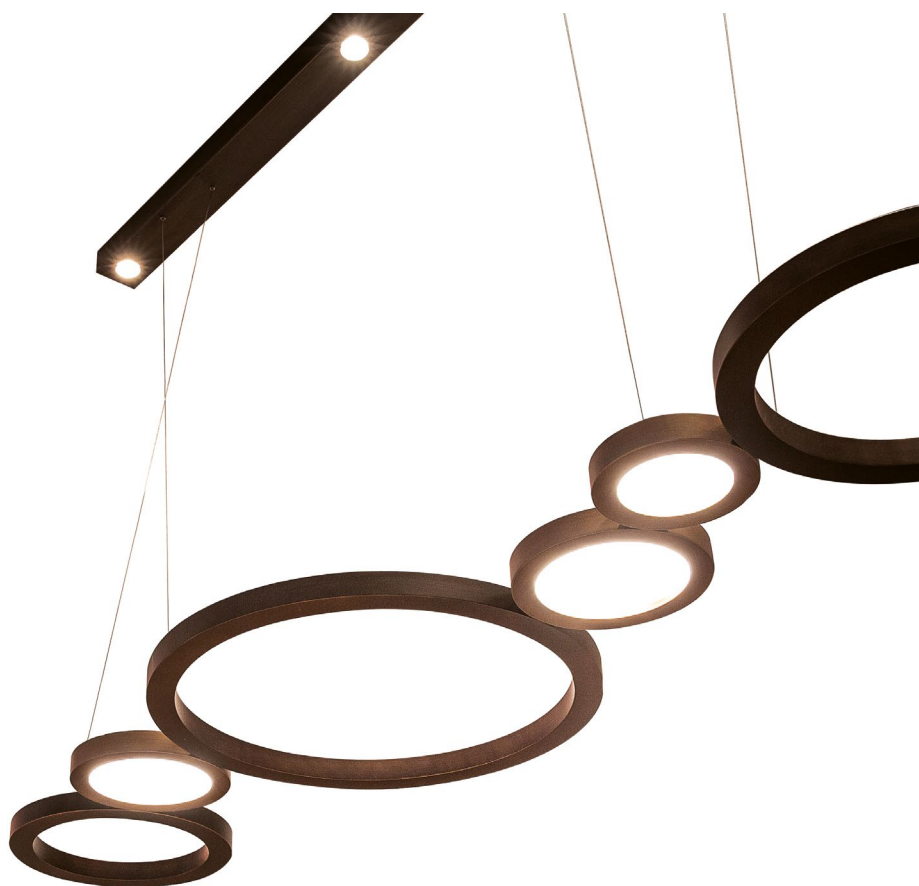


Dischi in alicrite effetto alabastro
*Alicrite diffusing discs with
alabaster effect*



Dischi in alicrite effetto alabastro
*Alicrite diffusing discs with
alabaster effect*



**CAVO / CABLE**

Cavi in acciaio coassiali

Coaxial steel cables


H: 200 cm

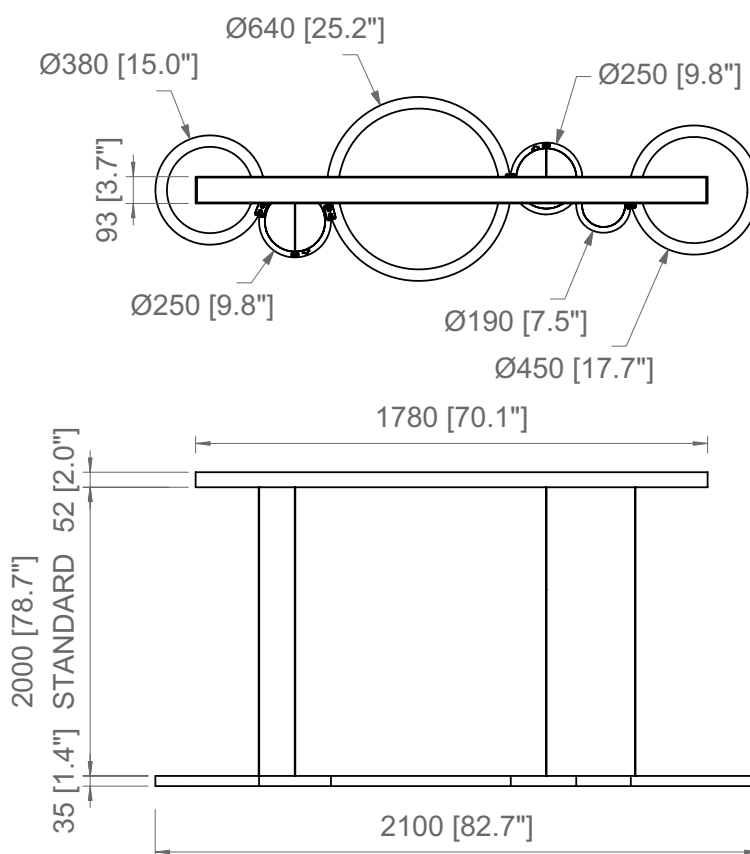
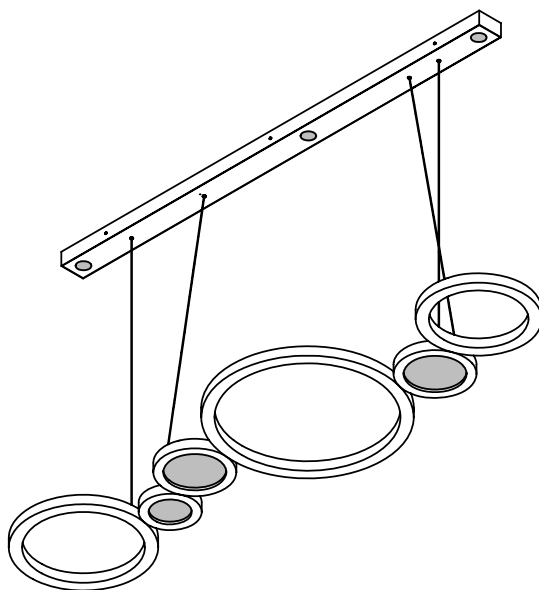
H: 78.7"

Due fonti luminose indipendenti
Doppia accensione*Two independent light sources**Double switching*

H: 200 cm

H: 78.7"

FONTE LUMINOSA / LIGHT SOURCE COB LED 12W Strip LED 12W +
Strip LED 8W**DIMMERABILE / DIMMABLE**COB LED - solo rosone
Compatibili con sistemi di controllo remotoCOB LED - canopy only
*Compatible with remote control systems*Rosone
Canopy
3 x 12W COB LED
(tot. 5.400 Lumen)
2.700 K, CRI: >90Anelli
Rings
2 x 12W Strip LED +
1 x 8W Strip LED
(tot. 1.400 Lumen)
2.700 K, CRI: >90 Vegas SO**USA / LIGHT SOURCE** COB LED 12W Strip LED 12W +
Strip LED 8W**DIMMABLE**COB LED - canopy only
*Compatible with remote control systems*Canopy
3 x 12W COB LED
(tot. 5.400 Lumen)
2.700 K, CRI: >90Rings
2 x 12W Strip LED +
1 x 8W Strip LED
(tot. 1.400 Lumen)
2.700 K, CRI: >90



PRODOTTO / PRODUCT

PESO / WEIGHT
27 kg / 59.5 lbs

BOX 1

L: 226 cm / 88.9"
W: 16 cm / 6.3"
H: 101 cm / 39.7"

PESO / WEIGHT
30 kg / 66.1 lbs



Copyright and/or design rights subsist in this drawing. No part of this drawing may be reproduced in any material form (including photocopying or storing in any medium electronic means, whether or not intentionally and whether or not as part or a larger publication) without the express permission of the copyright owner, Contardi Lighting S.r.l.. Further and without prejudice to the above, this drawing and all information relating thereto is confidential, and shall not be communicated to a third party without the consent of Contardi lighting srl. Contardi lighting srl asserts all rights to be identified as the author of the work and otherwise.

WARNING: The doing of any unauthorised act in relation to a copyright work may result in both a civil claim for damages and criminal prosecution.

CONTARDI LIGHTING Srl

ITALY HEADQUARTERS

www.contardi-italia.com / sales@contardi-italia.it

CONTARDI USA Inc

USA BRANCH

www.contardi-usa.com / sales@contardi-usa.com

