

Circus so & so LED

Contardi Studio



SO



SO LED



La Circus rappresenta la filosofia della “Camicia bianca” versatile e adatta ad ogni contesto. Un prodotto semplice ma completo che permette di personalizzare il paralume in tessuto con passamaneria di colorazioni diverse. Tutte le dimensioni disponibili hanno le sorgenti luminose montate verticalmente sui raggi del supporto per garantire un’illuminazione omogenea senza formazione di ombre. Le chiusure e i dischi diffusori sottostanti sono realizzati e montati con il filo armonico che consente di piegare leggermente i bordi del disco diffusore, di inserirlo e quindi appoggiarlo sulla corona interna del telaio inferiore. Questo garantisce la cosiddetta chiusura a tamburo che a livello di finitura estetica è senza dubbio una delle più raffinate, poichè non ricorre a ganci o supporti.

Circus represents the philosophy of the “White Shirt”, versatile and suitable for any context. A simple but complete product that allows you to customize the fabric shade with different coloured trimmings. All available sizes have the light sources mounted vertically on the support spokes to ensure homogeneous lighting without shadows. The bottom diffusing discs are made and mounted with the piano wire that allows to slightly bend the edges of the diffuser disc, in order to insert it and then place it on the inner board of the lower frame. This guarantees the so-called “drum effect”, which undoubtedly is one of the most refined in terms of aesthetic finish as it does not resort to hooks or supports.

SPECIFICHE PRODOTTO / PRODUCT SPECIFICS

CIRCUS SO 50
CIRCUS SO 75
CIRCUS SO 90
CIRCUS SO 120
CIRCUS SO 150

p.2

CIRCUS SO LED 50
CIRCUS SO LED 75
CIRCUS SO LED 90
CIRCUS SO LED 120
CIRCUS SO LED 150

p.4

p.5

p.6

p.7

p.8

p.9

p.10

p.11

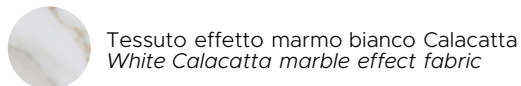
p.12

p.13

STRUTTURA / FRAME



PARALUME / SHADE



PASSAMANERIE / TRIMMINGS



CAVO / CABLE

Trasparente
Transparent

SO
H: 2000 mm
H: 78.7"

Cavi in acciaio laterali per il bilanciamento del prodotto
Side steel cables for product balancing

FRONTE LUMINOSA / LIGHT SOURCE**220-240V**

E27 LED

SO 50 / SO 75

3 x 14W E27
Lampadine LED
LED light bulbs
IP20

SO 90 / SO 120 / SO 150

4 x 14W E27
Lampadine LED
LED light bulbs
IP20

Compatibile con sistemi di controllo remoto
in caso di lampadine LED dimmerabili

*Compatible with control remote systems
when dimmable LED bulbs are used*



LED Custom board

SO LED 50 / SO LED 75

1 x 53W
Piastra LED Custom
LED Custom board
Emissione / Light emission: 7.300 Lm
3.000 K; CRI >90
IP20

SO LED 90 / SO LED 120 / SO LED 150

1 x 70W
Piastra LED Custom
LED Custom board
Emissione / Light emission: 10.000 Lm
3.000 K; CRI >90
IP20

Dimmerazione a taglio di fase/Triac -
altri sistemi di dimmerazione (DALI e
1-10V) disponibili su richiesta

Phase cut dimming/Triac - alternative
dimming

**110V**

E26 LED

SO 50 / SO 75

3 x 14W E26
LED light bulbs
IP20

SO 90 / SO 120 / SO 150

4 x 14W E26
LED light bulbs
IP20

Compatibile con control remote systems
when dimmable LED bulbs are used



LED Custom board

SO LED 50 / SO LED 75

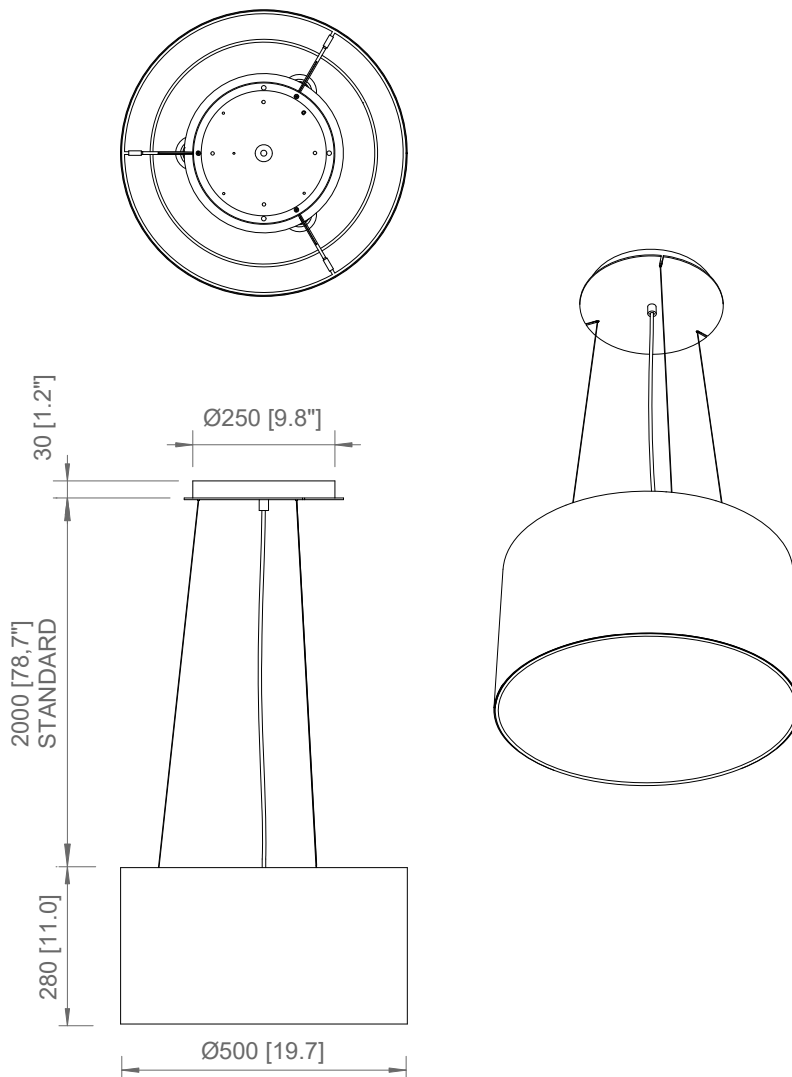
1 x 53W
LED Custom board
Light emission: 7.300 Lm
3.000 K; CRI >90
IP20

SO LED 90 / SO LED 120 / SO LED 150

1 x 70W
LED Custom board
Light emission: 10.000 Lm
3.000 K; CRI >90
IP20

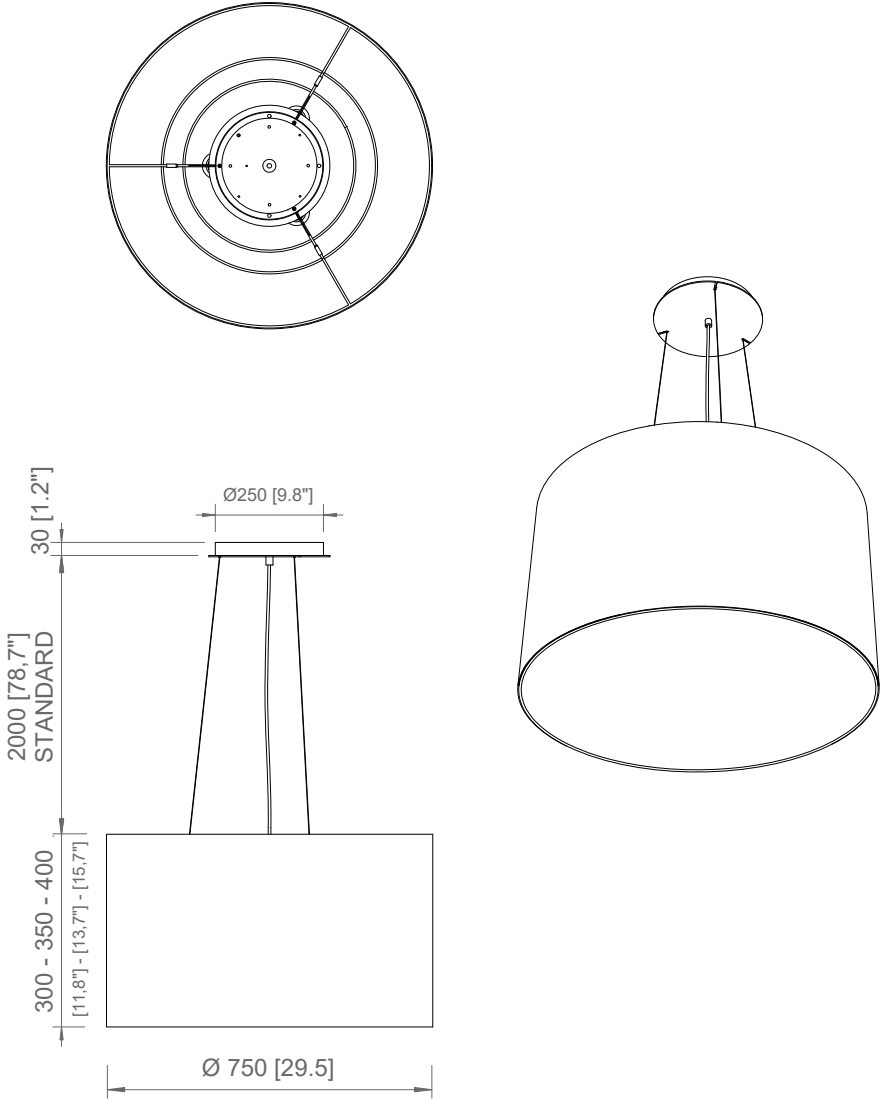
*Phase cut dimming/Triac - 1-10V dimming
systems available on demand*





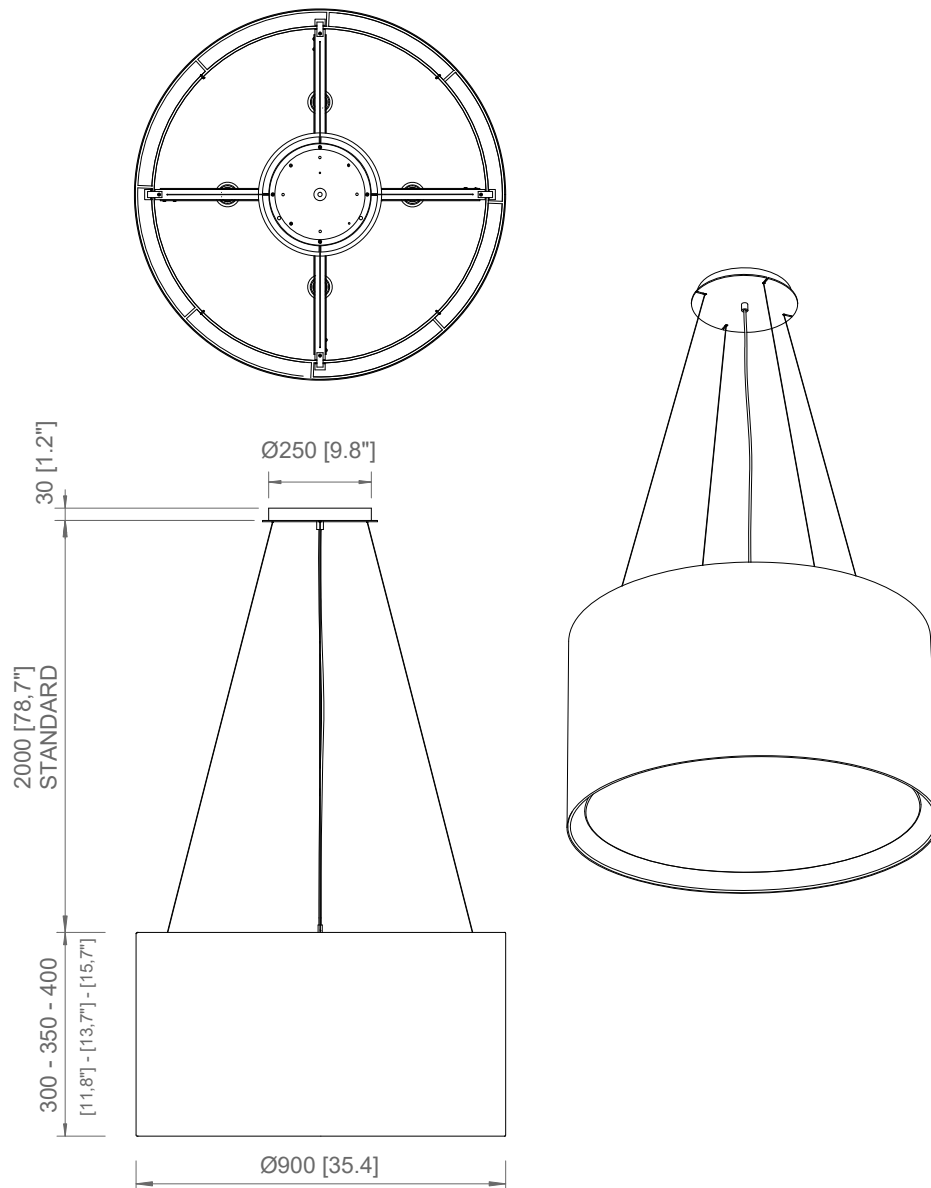
PRODOTTO / PRODUCT IMBALLI / PACKAGING

Peso-Weight	Box 1	Box 2
5.5 kg / 12.1 lbs	L: 510 mm / 20"	L: 580 mm / 22.8"
	P-W: 510 mm / 20"	P-W: 580 mm / 22.8"
	H: 240 mm / 9.4"	H: 400 mm / 15.8"
	Peso-Weight: 3.5 kg / 7.7 lbs	Peso-Weight: 4 kg / 8.8 lbs

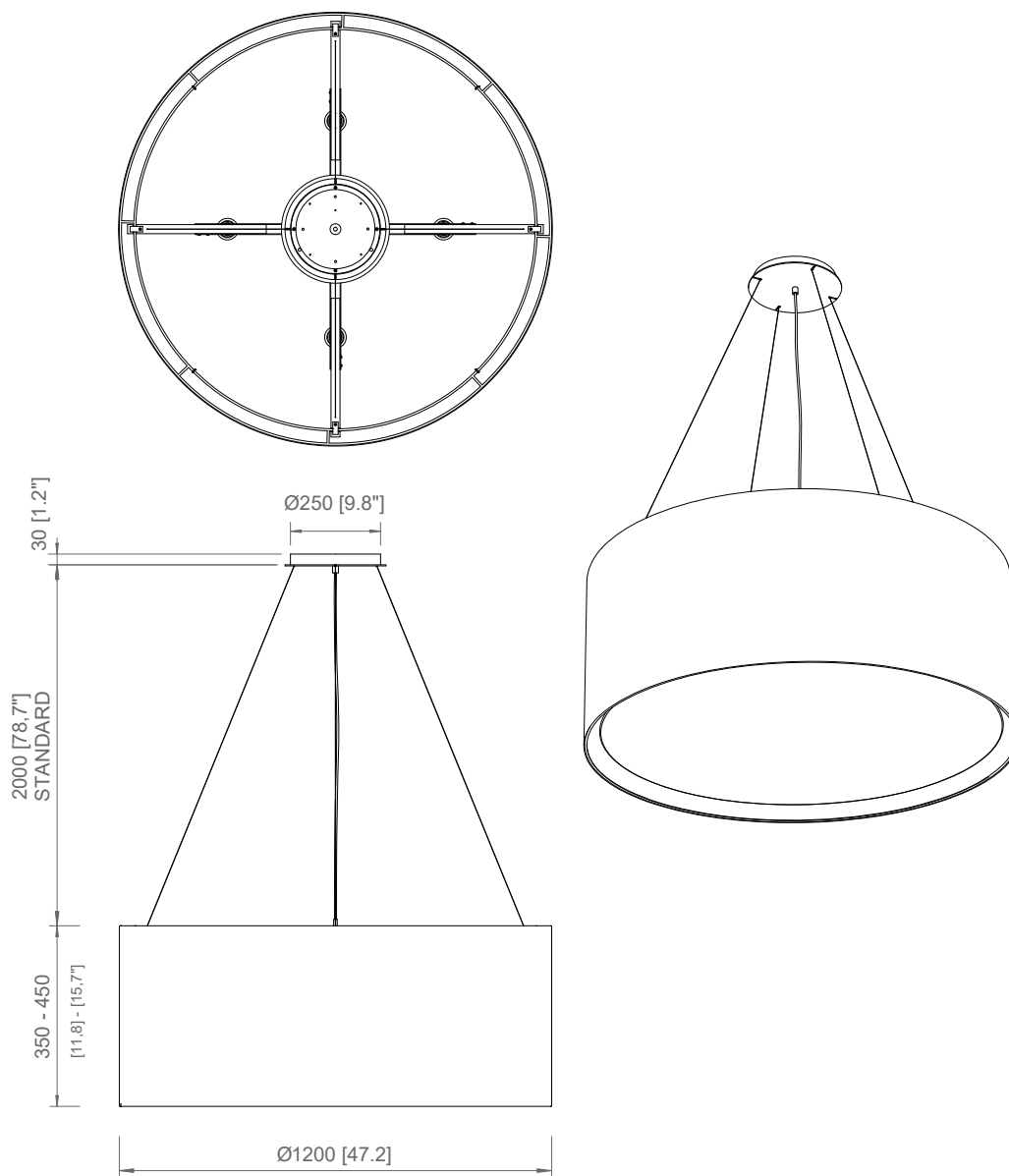


PRODOTTO / PRODUCT IMBALLI / PACKAGING

Peso-Weight 7.5 kg / 16.5 lbs	Box 1	Box 2
	L: 510 mm / 20" P-W: 510 mm / 20" H: 240 mm / 9.4" Peso-Weight: 3.5 kg / 7.7 lbs	L: 830 mm / 32.6" P-W: 830 mm / 32.6" H: 520 mm / 20.4" Peso-Weight: 6.5 kg / 14.3 lbs

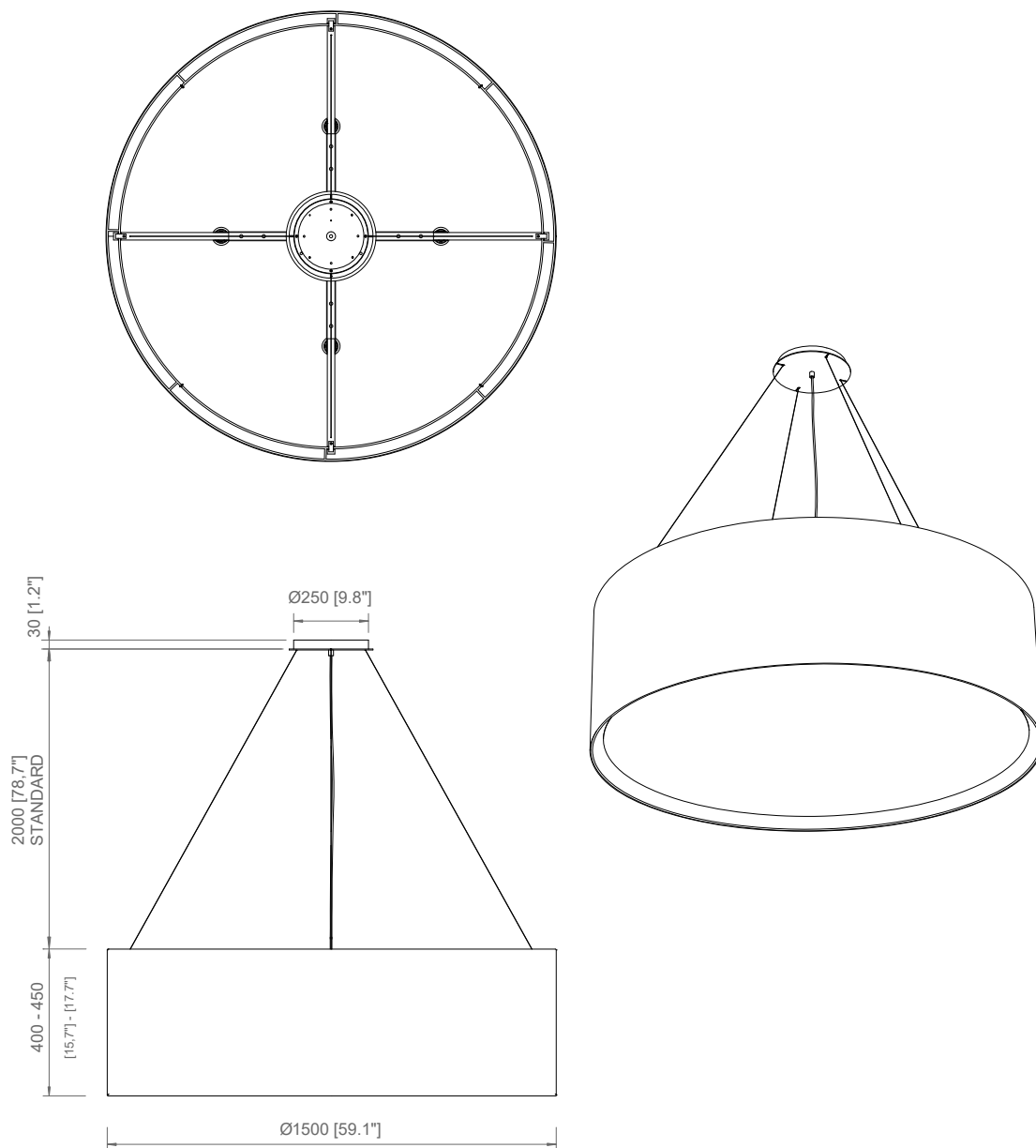

PRODOTTO / PRODUCT **IMBALLI / PACKAGING**

Peso-Weight	Box 1	Box 2
10 kg / 22 lbs	L: 650 mm / 25.6"	L: 1100 mm / 43.3"
	P-W: 700 mm / 27.5"	P-W: 1100 mm / 43.3"
	H: 150 mm / 5.9"	H: 700 mm / 27.5"
	Peso-Weight: 4 kg / 8.8 lbs	Peso-Weight: 10 kg / 22 lbs



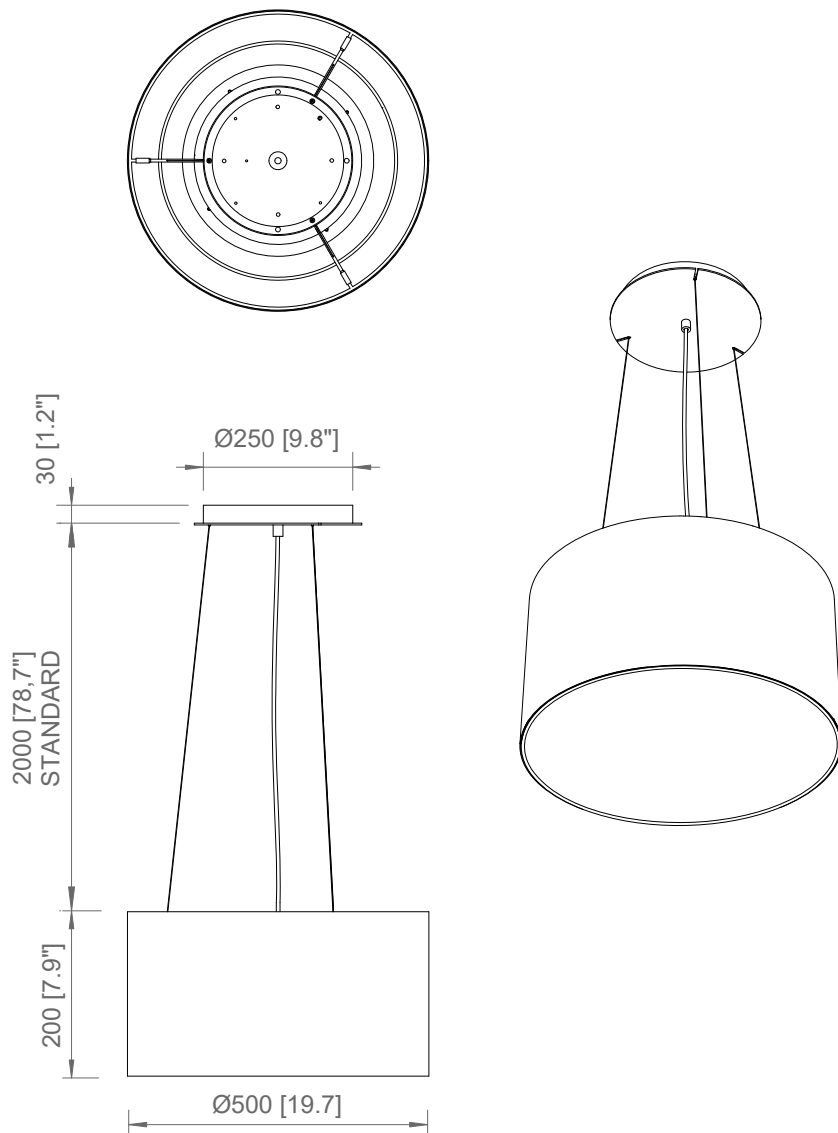
PRODOTTO / PRODUCT IMBALLI / PACKAGING

Peso-Weight	Box 1	Box 2
13 kg / 28.6 lbs	L: 650 mm / 25.6"	L: 1300 mm / 51.2"
	P-W: 700 mm / 27.5"	P-W: 1300 mm / 51.2"
	H: 150 mm / 5.9"	H: 700 mm / 27.5"
	Peso-Weight: 4 kg / 8.8 lbs	Peso-Weight: 15.5 kg / 34.1 lbs



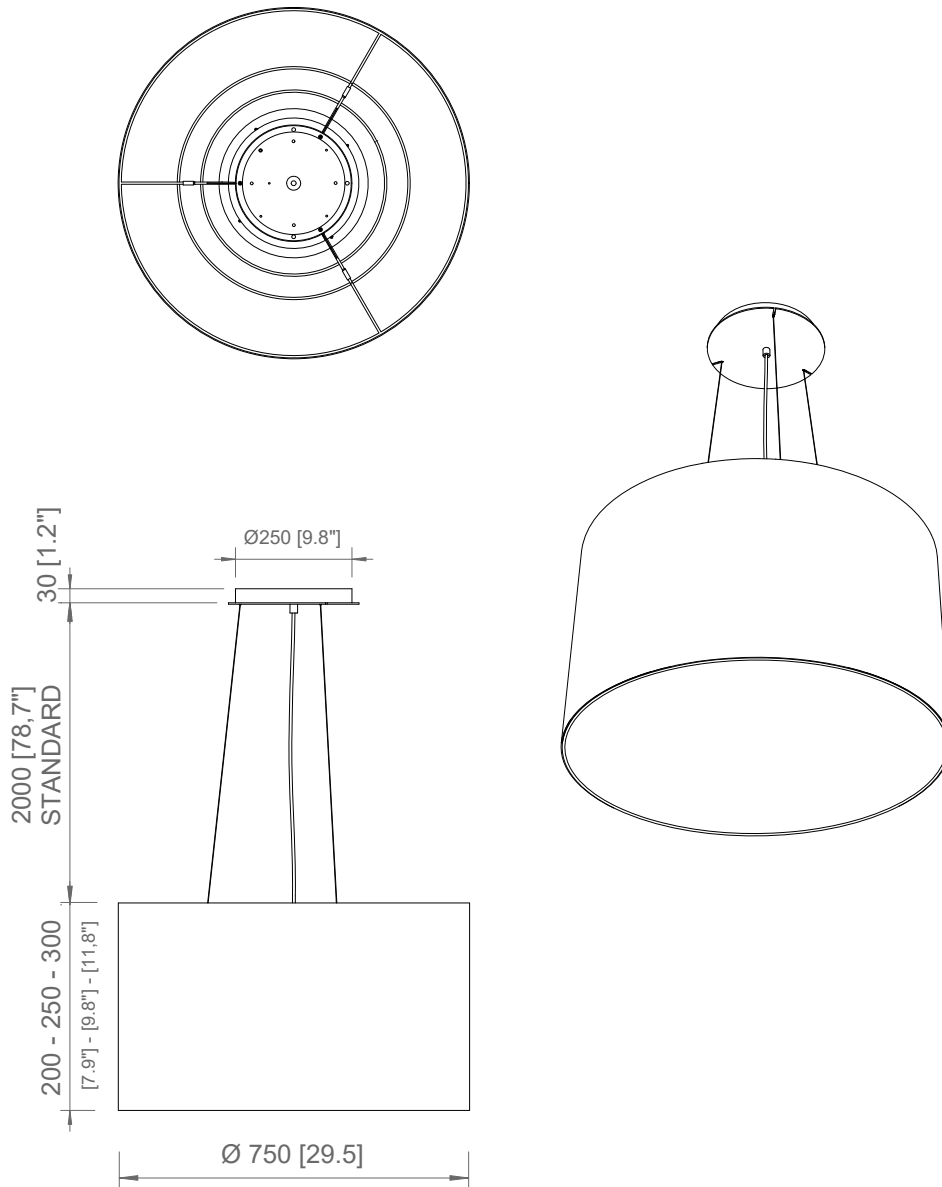
PRODOTTO / PRODUCT IMBALLI / PACKAGING

Peso-Weight	Box 1	Box 2
20 kg / 44 lbs	L: 650 mm / 25.6"	L: 1600 mm / 63"
	P-W: 700 mm / 27.5"	P-W: 1600 mm / 63"
	H: 150 mm / 5.9"	H: 700 mm / 27.5"
	Peso-Weight: 4 kg / 8.8 lbs	Peso-Weight: 20 kg / 44 lbs



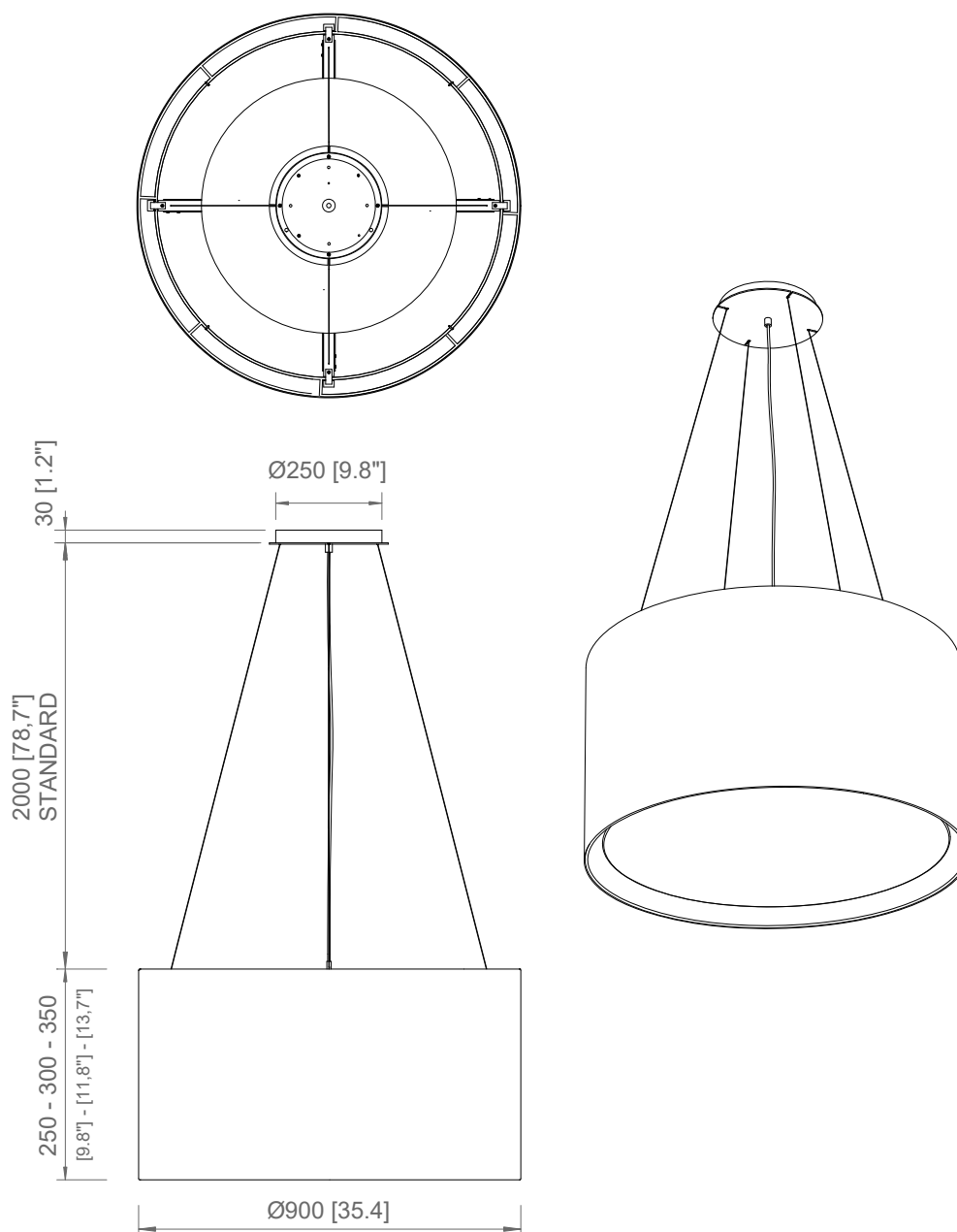
PRODOTTO / PRODUCT IMBALLI / PACKAGING

Peso-Weight	Box 1	Box 2
5.5 kg / 12.1 lbs	L: 510 mm / 20"	L: 580 mm / 22.8"
	P-W: 510 mm / 20"	P-W: 580 mm / 22.8"
	H: 240 mm / 9.4"	H: 400 mm / 15.8"
	Peso-Weight: 3.5 kg / 7.7 lbs	Peso-Weight: 4 kg / 8.8 lbs

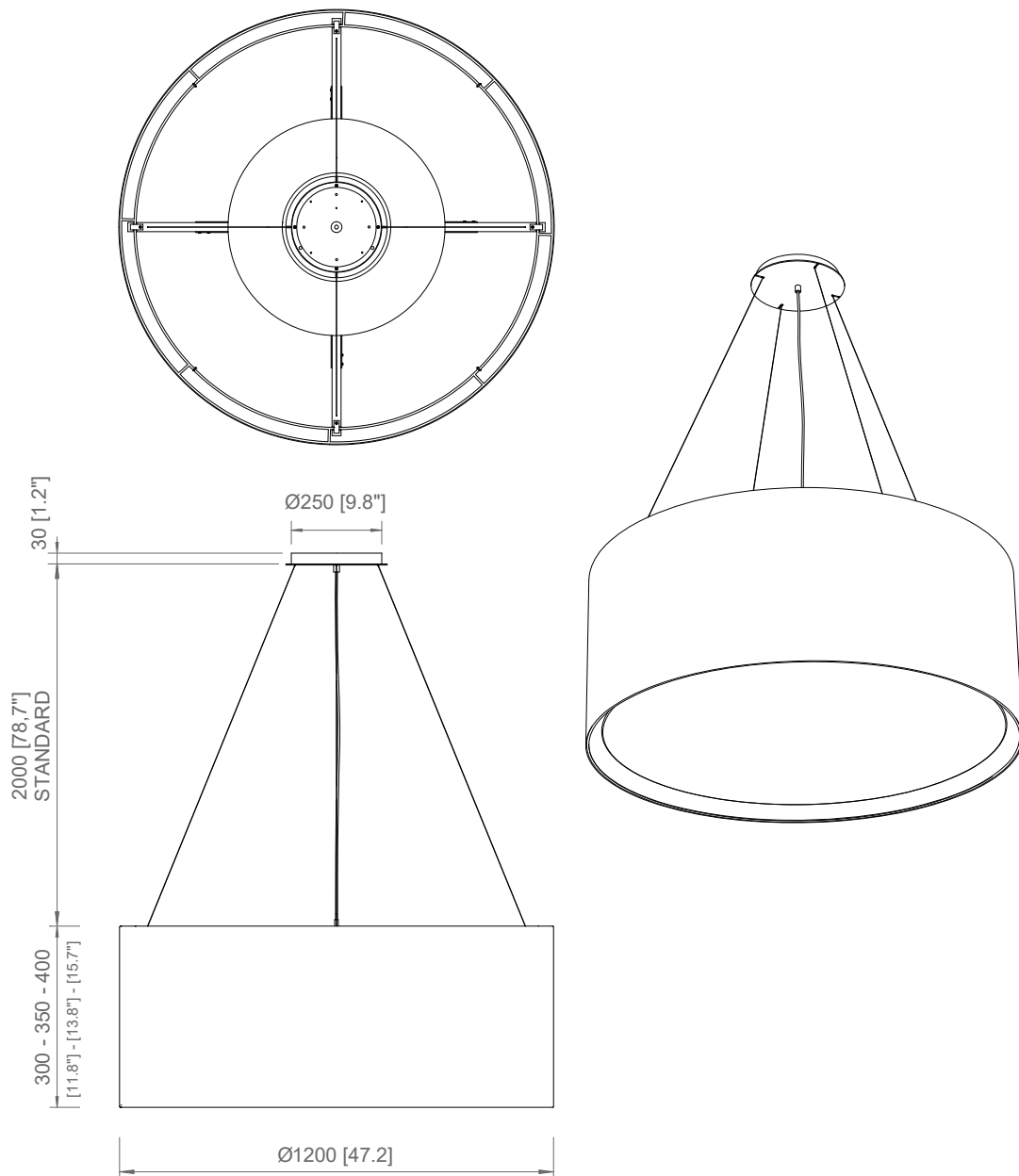


PRODOTTO / PRODUCT **IMBALLI / PACKAGING**

Peso-Weight	Box 1	Box 2
7.5 kg / 16.5 lbs	L: 510 mm / 20"	L: 830 mm / 32.6"
	P-W: 510 mm / 20"	P-W: 830 mm / 32.6"
	H: 240 mm / 9.4"	H: 520 mm / 20.4"
	Peso-Weight: 3.5 kg / 7.7 lbs	Peso-Weight: 6.5 kg / 14.3 lbs

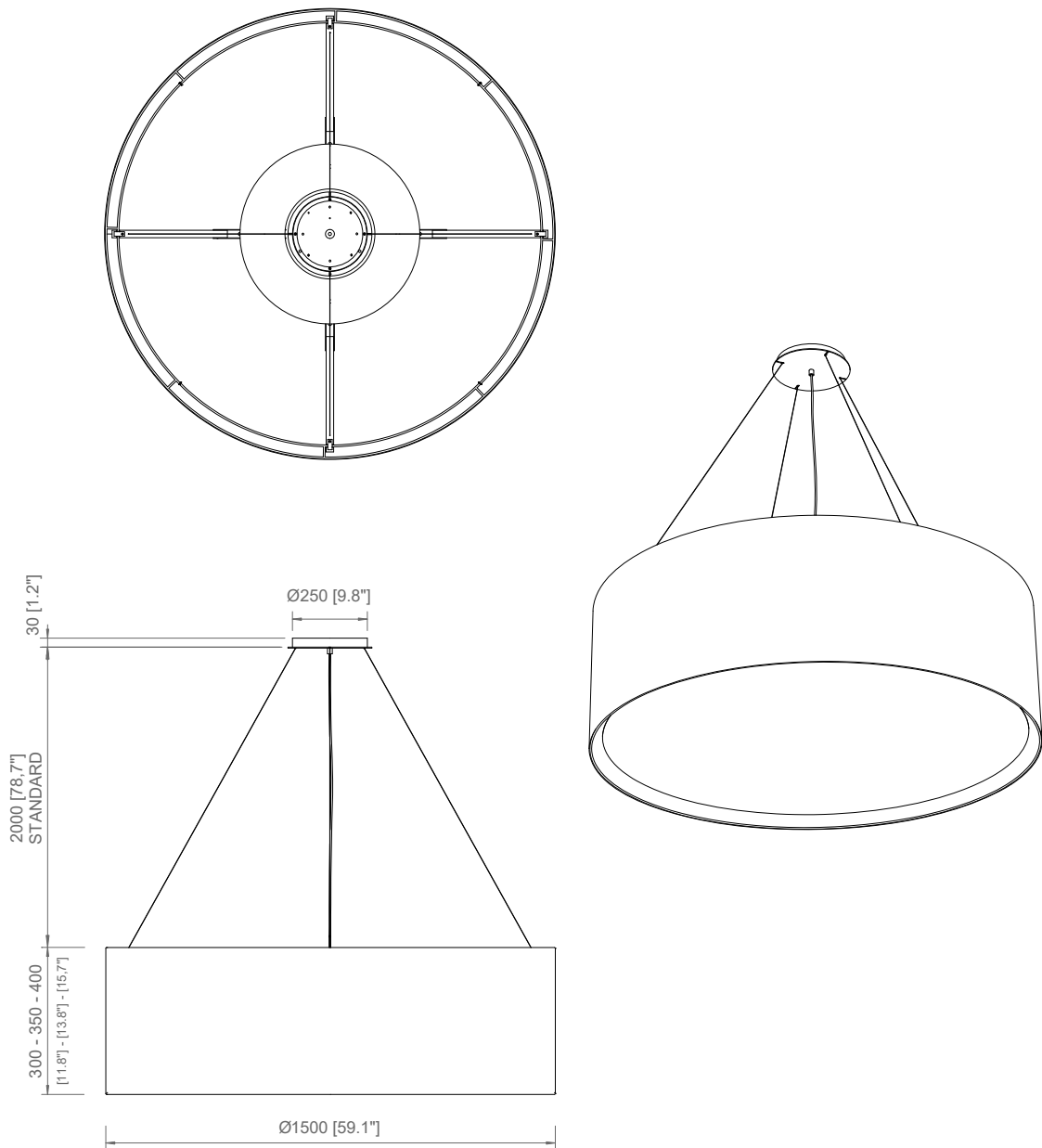

PRODOTTO / PRODUCT IMBALLI / PACKAGING

Peso-Weight	Box 1	Box 2
10 kg / 22 lbs	L: 650 mm / 25.6" P-W: 700 mm / 27.5" H: 150 mm / 5.9" Peso-Weight: 4 kg / 8.8 lbs	L: 1100 mm / 43.3" P-W: 1100 mm / 43.3" H: 700 mm / 27.5" Peso-Weight: 10 kg / 22 lbs



PRODOTTO / PRODUCT IMBALLI / PACKAGING

Peso-Weight	Box 1	Box 2
13 kg / 28.6 lbs	L: 650 mm / 25.6"	L: 1300 mm / 51.2"
	P-W: 700 mm / 27.5"	P-W: 1300 mm / 51.2"
	H: 150 mm / 5.9"	H: 700 mm / 27.5"
	Peso-Weight: 4 kg / 8.8 lbs	Peso-Weight: 15.5 kg / 34.1 lbs



PRODOTTO / PRODUCT IMBALLI / PACKAGING

Peso-Weight	Box 1	Box 2
16 kg / 35.2 lbs	L: 650 mm / 25.6" P-W: 700 mm / 27.5" H: 150 mm / 5.9" Peso-Weight: 4 kg / 8.8 lbs	L: 1600 mm / 63" P-W: 1600 mm / 63" H: 700 mm / 27.5" Peso-Weight: 20 kg / 44 lbs

Copyright and/or design rights subsist in this drawing. No part of this drawing may be reproduced in any material form (including photocopying or storing in any medium electronic means, whether or not intentionally and whether or not as part or a larger publication) without the express permission of the copyright owner, Contardi Lighting S.r.l.. Further and without prejudice to the above, this drawing and all information relating thereto is confidential, and shall not be communicated to a third party without the consent of Contardi lighting srl. Contardi lighting srl asserts all rights to be identified as the author of the work and otherwise.

WARNING: The doing of any unauthorised act in relation to a copyright work may result in both a civil claim for damages and criminal prosecution.

CONTARDI LIGHTING Srl

ITALY HEADQUARTERS

www.contardi-italia.com / sales@contardi-italia.it

CONTARDI USA Inc

USA BRANCH

www.contardi-usa.com / sales@contardi-usa.com