

TATA

Andrea Fogli

**(*) PRODOTTO DISPONIBILE
FINO A ESAURIMENTO SCORTE
O PER PROGETTI**

() PRODUCT AVAILABLE UNTIL
STOCKS ARE EXHAUSTED
OR FOR PROJECTS*



AP

FLOOR



Tata AP è una lampada a doppia sorgente, con due attacchi E27, con design di ispirazione scandinava, disponibile in tre finiture: bianca, nera e cromata. Nella versione in bianco e nero il braccio e la basetta rimangono cromati come anche la fascia di congiungimento dei due diffusori, orientabili. Prodotto pensato per un'illuminazione che può essere solo funzionale per la lettura o funzionale per la lettura con l'aggiunta di un "baffo" di luce d'ambiente.

Tata AP is a double source lamp, with a Scandinavian-inspired design, available in three finishes: white, black and chrome. In the black and white version the arm and the base remain chrome-plated, as well as the connecting strip of the two adjustable diffusers.

SPECIFICHE PRODOTTO / PRODUCT SPECIFICS

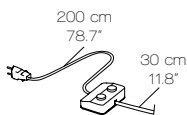
p2

TATA AP

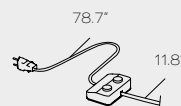
p3

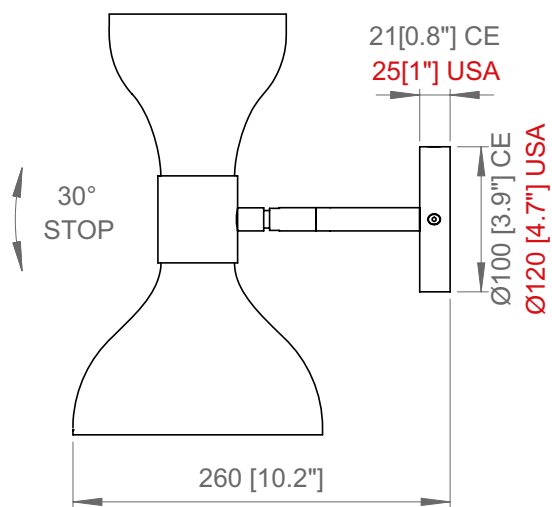
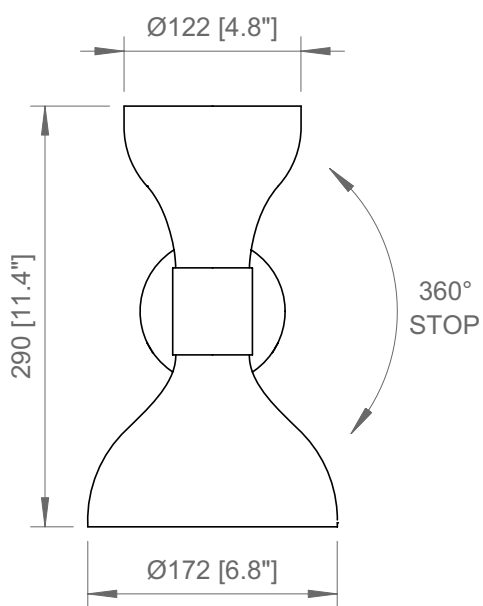
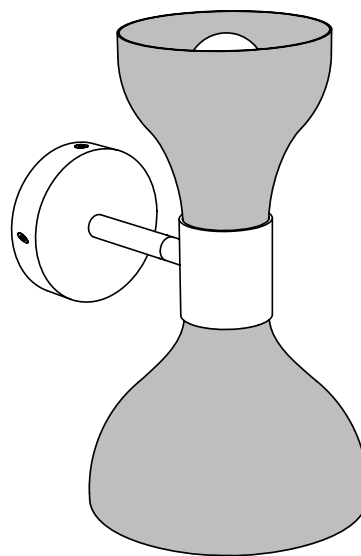
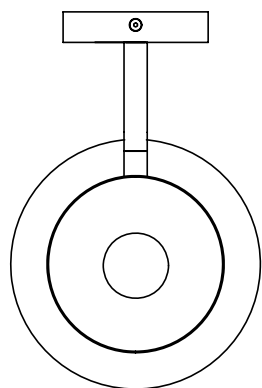
TATA FL

p4

**STRUTTURA / FRAME**Cromo
*Chrome***DIFFUSORE / DIFFUSER**Esterno: bianco lucido
Outside: glossy whiteInterno: bianco opaco
Inside: matt whiteEsterno: cromo
Outside: chromeInterno: bianco opaco
Inside: matt whiteEsterno: nero opaco
Outside: matt blackInterno: bianco opaco
*Inside: matt white***CAVO - INTERRUTTORE / CABLE - SWITCH****FL**Tessuto nero
Doppio Interruttore On-Off
Doppia accensione*Black fabric
Double On-Off switch
Double switching*L: 30 + 200 cm
L: 11.8" + 78.7"**FRONTE LUMINOSA / LIGHT SOURCE**E27 LED
Utilizzabili lampadine LED fino
alla massima potenza disponibile
sul mercato*You can use LED light bulbs of
the highest available wattage*2 X E27
Lampadine LED
LED light bulbs**USA / CABLE - SWITCH****FL**Black cable
Double On-Off switch
Double switching

L: 11.8" + 78.7"

**USA / LIGHT SOURCE**E26 LED
You can use LED light bulbs of the
highest available wattage2 X E26
LED light bulbs



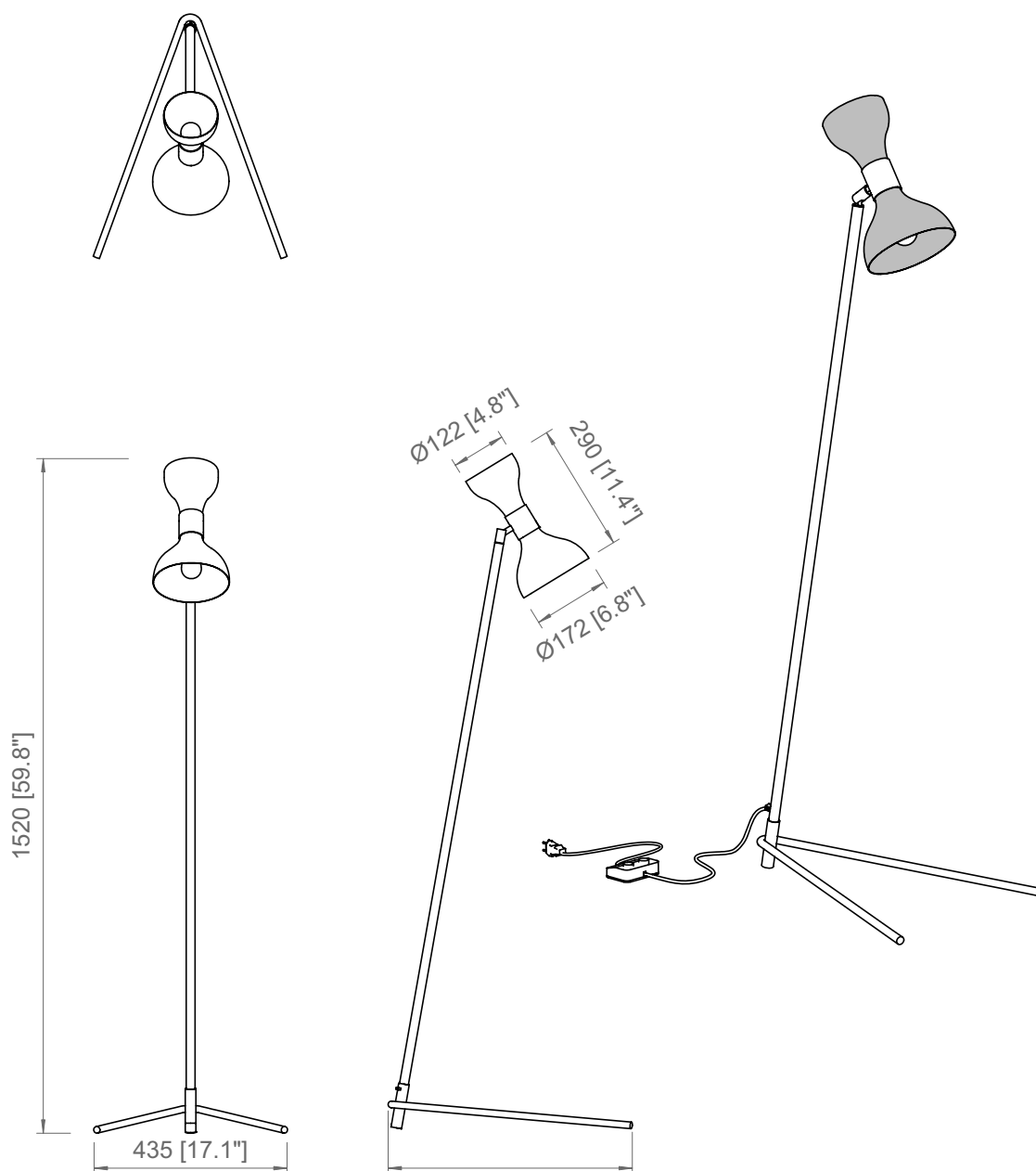
PRODOTTO / PRODUCT

BOX 1

PESO / WEIGHT
1 kg / 2.2 lbs

L: 26 cm / 10.2"
W: 35 cm / 13.7"
H: 37 cm / 14.5"

PESO / WEIGHT
1,5 kg / 3.3 lbs



PRODOTTO / PRODUCT

PESO / WEIGHT
4,5 kg / 9.9 lbs

BOX 1

L: 28 cm / 11"
W: 28 cm / 11"
H: 158 cm / 62.2"

PESO / WEIGHT
3,5 kg / 7.7 lbs

BOX 2

L: 52 cm / 20.4"
W: 13 cm / 5.1"
H: 85 cm / 33.4"

PESO / WEIGHT
3 kg / 6.6 lbs



Copyright and/or design rights subsist in this drawing. No part of this drawing may be reproduced in any material form (including photocopying or storing in any medium electronic means, whether or not intentionally and whether or not as part or a larger publication) without the express permission of the copyright owner, Contardi Lighting S.r.l.. Further and without prejudice to the above, this drawing and all information relating thereto is confidential, and shall not be communicated to a third party without the consent of Contardi lighting srl. Contardi lighting srl asserts all rights to be identified as the author of the work and otherwise.

WARNING: The doing of any unauthorised act in relation to a copyright work may result in both a civil claim for damages and criminal prosecution.

CONTARDI LIGHTING Srl

ITALY HEADQUARTERS

www.contardi-italia.com / sales@contardi-italia.it

CONTARDI USA Inc

USA BRANCH

www.contardi-usa.com / sales@contardi-usa.com

