

# COCO MEGA OUTDOOR

---

*Tristan Auer*



---

MEGA OUTDOOR



Versione da esterno della celebre Coco Mega. Legno marino moca scuro per la base e tessuto Dagnet (impermeabile e ignifugo) per il paralume. La finitura moca scuro la rende un elemento d'arredo di illuminante eleganza.

*Outdoor version of the Coco Mega lamp. Dark marine wood for the base and Dagnet fabric (waterproof and fireproof) for the shade. The dark mocha finish makes the lamp a furnishing element with shining elegance.*

SPECIFICHE PRODOTTO / PRODUCT SPECIFICS

p2

COCO MEGA OUTDOOR

p3



## STRUTTURA / FRAME



Acciaio spazzolato  
Legno marino in mocha scuro con  
trattamento impermeabilizzante

*Satin steel  
Dark mocha marine wood with  
waterproof treatment*

## PARALUME / SHADE



Tessuto impermeabile a rete  
"Dragnet" grigio

*Grey "Dragnet" waterproof  
fabric*

## FONTE LUMINOSA / LIGHT SOURCE



E27 T8 Tubular LED  
Utilizzabili lampadine LED fino  
alla massima potenza disponibile  
sul mercato

*You can use LED light bulbs of  
the highest available wattage*

H max. 14,5 cm / 5.7"

1 X E27 T8  
Lampadina Tubular LED  
*Tubular LED bulb*



 Coco Mega Outdoor

## USA / LIGHT SOURCE

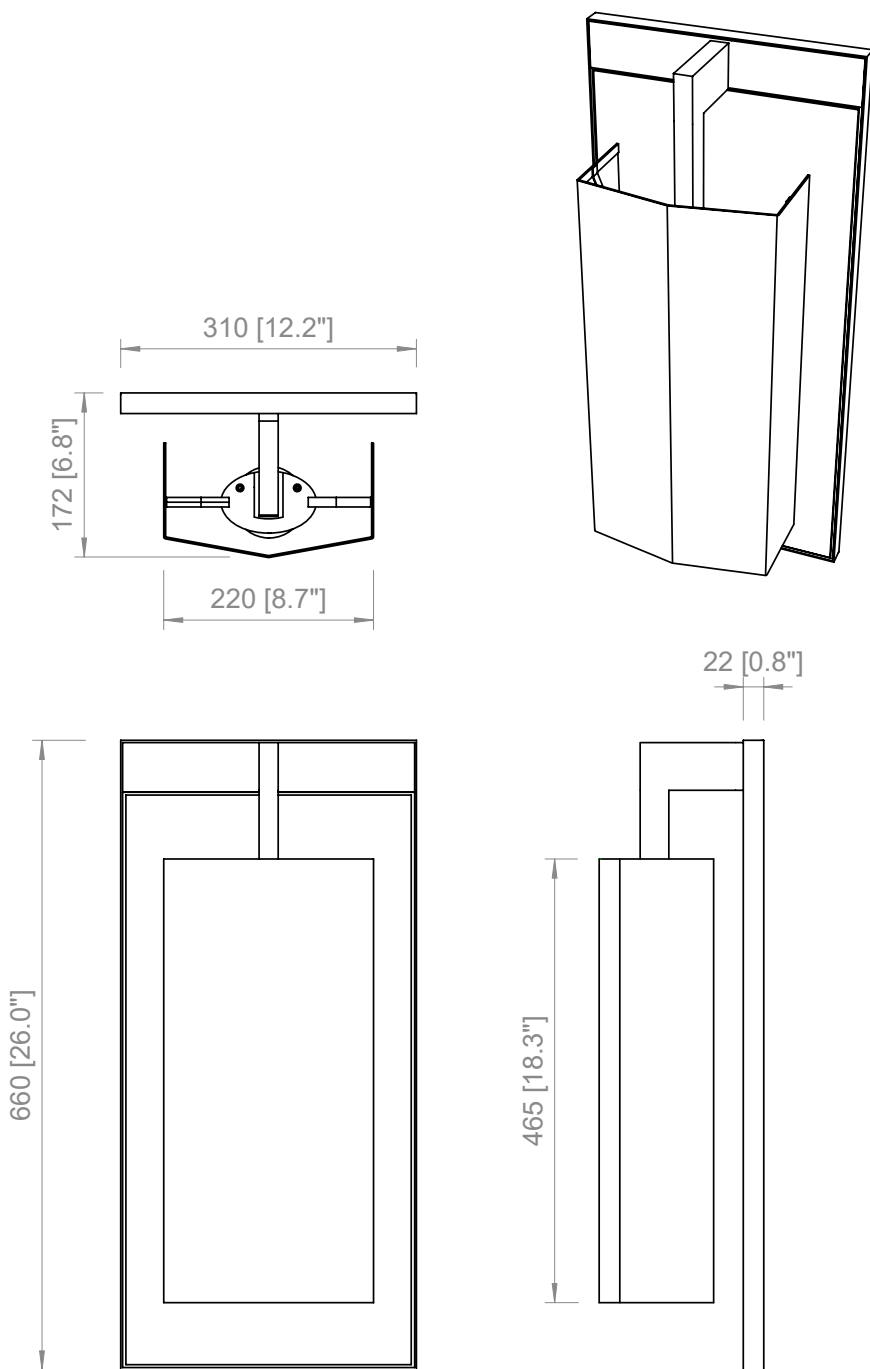


E26 T8 Tubular LED  
You can use LED light bulbs of  
the highest available wattage

H max. 14,5 cm / 5.7"

1 X E26 T8  
Tubular LED bulb





PRODOTTO / PRODUCT

PESO / WEIGHT  
10 kg / 22 lbs

BOX 1

L: 56 cm / 22"  
W: 27 cm / 10.6"  
H: 80 cm / 31.5"

PESO / WEIGHT  
11 kg / 24.2 lbs



Copyright and/or design rights subsist in this drawing. No part of this drawing may be reproduced in any material form (including photocopying or storing in any medium electronic means, whether or not intentionally and whether or not as part or a larger publication) without the express permission of the copyright owner, Contardi Lighting S.r.l.. Further and without prejudice to the above, this drawing and all information relating thereto is confidential, and shall not be communicated to a third party without the consent of Contardi lighting srl. Contardi lighting srl asserts all rights to be identified as the author of the work and otherwise.

**WARNING:** The doing of any unauthorised act in relation to a copyright work may result in both a civil claim for damages and criminal prosecution.

---

**CONTARDI LIGHTING Srl**

ITALY HEADQUARTERS

[www.contardi-italia.com](http://www.contardi-italia.com) / [sales@contardi-italia.it](mailto:sales@contardi-italia.it)

**CONTARDI USA Inc**

USA BRANCH

[www.contardi-usa.com](http://www.contardi-usa.com) / [sales@contardi-usa.com](mailto:sales@contardi-usa.com)

