

DUOS

IZEU (Tristan Auer & Frédéric Sicard)



DUOS AP



Duos è una lampada a parete che ha una doppia fonte di luce, con cablaggio che rende le due sorgenti luminose indipendenti. Da una parte c'è la lampada da lettura, che è dalla parte dove si trova e si vede l'asticella metallica. L'asticella metallica dirige la sorgente luminosa. Si noti che la lampada è disponibile nella versione destra o sinistra. Avendo la possibilità di cablarle indipendentemente con due accensioni separate si possono accendere contemporaneamente le due sorgenti luminose o alternativamente l'una o l'altra a seconda dell'utilizzo. Le finiture standard sono: cromo con interno bianco oppure bianco con interno dorato.

Duos is a wall lamp that has a double light source, with wiring that makes the two light sources independent. On one side there is a reading lamp, which is on the side where the metal rod is located and can be seen. The metal rod directs the light source. Note that the lamp is available in the right or left version. Having the possibility to wire them independently with two separate switches, the two light sources can be switched on at the same time or alternatively one or the other depending on the use. The standard finishes are: chrome with white interior or white with gold interior.

SPECIFICHE PRODOTTO / PRODUCT SPECIFICS

p2

DUOS AP

p3

**STRUTTURA / FRAME**

Cromo
Interno bianco
*Chrome
White inside*



Laccata bianco opaco
Interno oro
*Matt white lacquered
Gold painted inside*

FONTE LUMINOSA / LIGHT SOURCE

E14 LED
Utilizzabili lampadine LED fino alla massima potenza disponibile sul mercato

You can use LED light bulbs of the highest available wattage

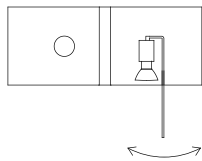


GU10 LED
Utilizzabili lampadine LED fino alla massima potenza disponibile sul mercato

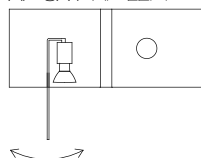
You can use LED light bulbs of the highest available wattage

1 X E14
Lampadina LED
LED light bulb
+
1 X GU10
Lampadina LED
LED light bulb

AP DX / AP RIGHT



AP SX / AP LEFT

**USA / LIGHT SOURCE**

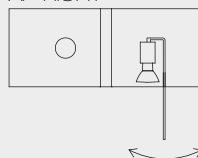
E12 LED
You can use LED light bulbs of the highest available wattage



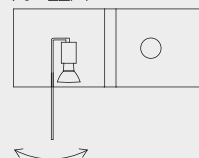
GU10 LED
You can use LED light bulbs of the highest available wattage

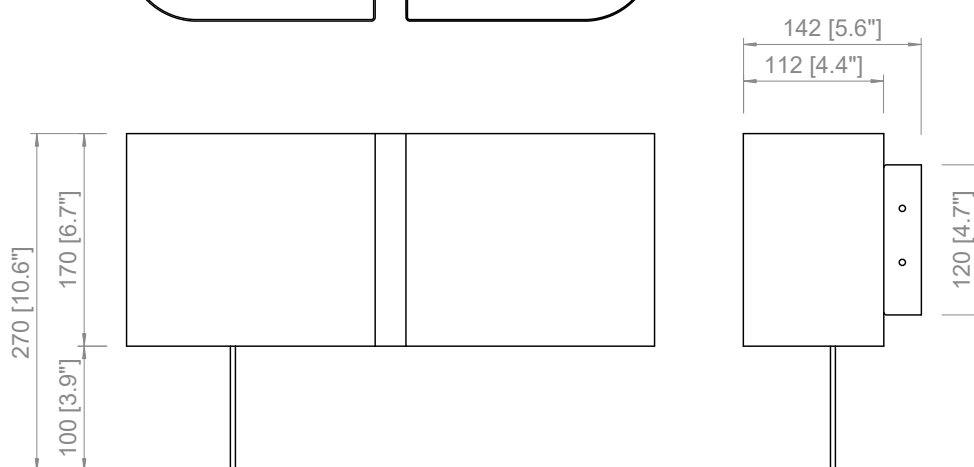
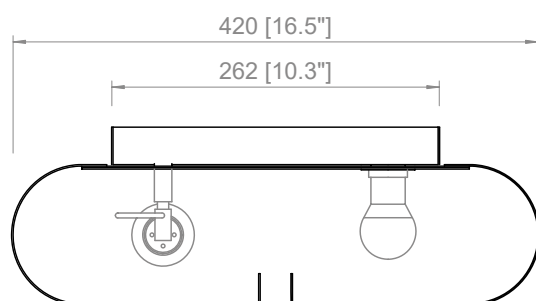
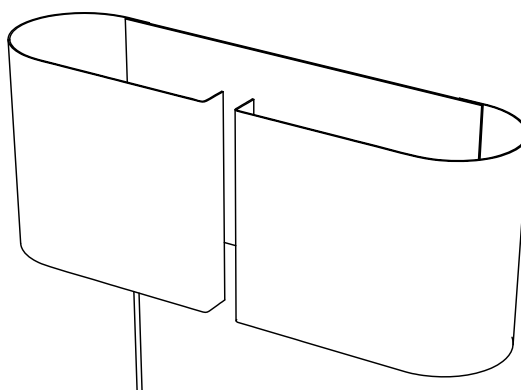
1 X E12
LED light bulb
+
1 X GU10
LED light bulb

AP RIGHT



AP LEFT





PRODOTTO / PRODUCT

PESO / WEIGHT
4 kg / 8.8 lbs

BOX 1

L: 55 cm / 21.6"
W: 24 cm / 9.4"
H: 30 cm / 11.8"

PESO / WEIGHT
5 kg / 11 lbs



Copyright and/or design rights subsist in this drawing. No part of this drawing may be reproduced in any material form (including photocopying or storing in any medium electronic means, whether or not intentionally and whether or not as part or a larger publication) without the express permission of the copyright owner, Contardi Lighting S.r.l.. Further and without prejudice to the above, this drawing and all information relating thereto is confidential, and shall not be communicated to a third party without the consent of Contardi lighting srl. Contardi lighting srl asserts all rights to be identified as the author of the work and otherwise.

WARNING: The doing of any unauthorised act in relation to a copyright work may result in both a civil claim for damages and criminal prosecution.

CONTARDI LIGHTING Srl

ITALY HEADQUARTERS

www.contardi-italia.com / sales@contardi-italia.it

CONTARDI USA Inc

USA BRANCH

www.contardi-usa.com / sales@contardi-usa.com

