

# Calypso floor+table indoor

Servomuto



ANTIGUA



GUADALOUPE



MARTINIQUE



Contardi e Servomuto hanno deciso ora di aggiungere alla famiglia una versione da terra da interno. Ogni paralume è realizzato con tessuti premium impermeabili e ignifughi in materiali anallergici e atossici, mentre lo stelo è caratterizzato dalla laccatura nera della parte inferiore e della base. La parte superiore è rivestita in morbida pelle e tutte le parti sono unificate da un dettaglio in ottone. Il funzionale ma raffinato tavolino è realizzato in marmo verde Guatemala, che ben si armonizza con i colori vivaci dei paralumi.

*Contardi and Servomuto have decided to add an indoor floor version to the family, with the option of an attached table. Every lampshade is made of premium waterproof and fireproof fabrics in hypoallergenic and non-toxic materials, while the stem is characterised by black lacquering of the lower part and the base. The upper part is covered in supple leather, and all the parts are unified with brass detailing. The functional yet refined coffee table is made of green Guatemala marble, which harmonises well with the vibrant colours of the lampshades.*

SPECIFICHE PRODOTTO / PRODUCT SPECIFICS

p.2

CALYPSO FLOOR+TABLE INDOOR ANTIGUA

p.3

CALYPSO FLOOR+TABLE INDOOR GUADALOUPE

p.4

CALYPSO FLOOR+TABLE INDOOR MARTINIQUE

p.5

**STRUTTURA / FRAME**



Ottone satinato  
*Satin brass*



Marmo verde Guatemala  
*Green Guatemala marble*



Laccato nero seta opaco  
*Matt black silk lacquered*



Pelle verde  
*Green leather*

**PARALUME / SHADE**

ANTIGUA



Mint

GUADALOUPE



Sale e pepe

MARTINIQUE



Yellow

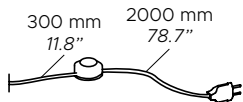


Building

**CAVO / CABLE**

Tessuto nero  
*Black fabric*

Dimmerabile a piede  
*Foot dimmable switch*



**FONTE LUMINOSA / LIGHT SOURCE**

**220-240V**



E27 LED

1 x 14W E27  
Lampadina LED dimmerabile  
*LED light bulb*  
IP20



 Calypso FL+TABLE

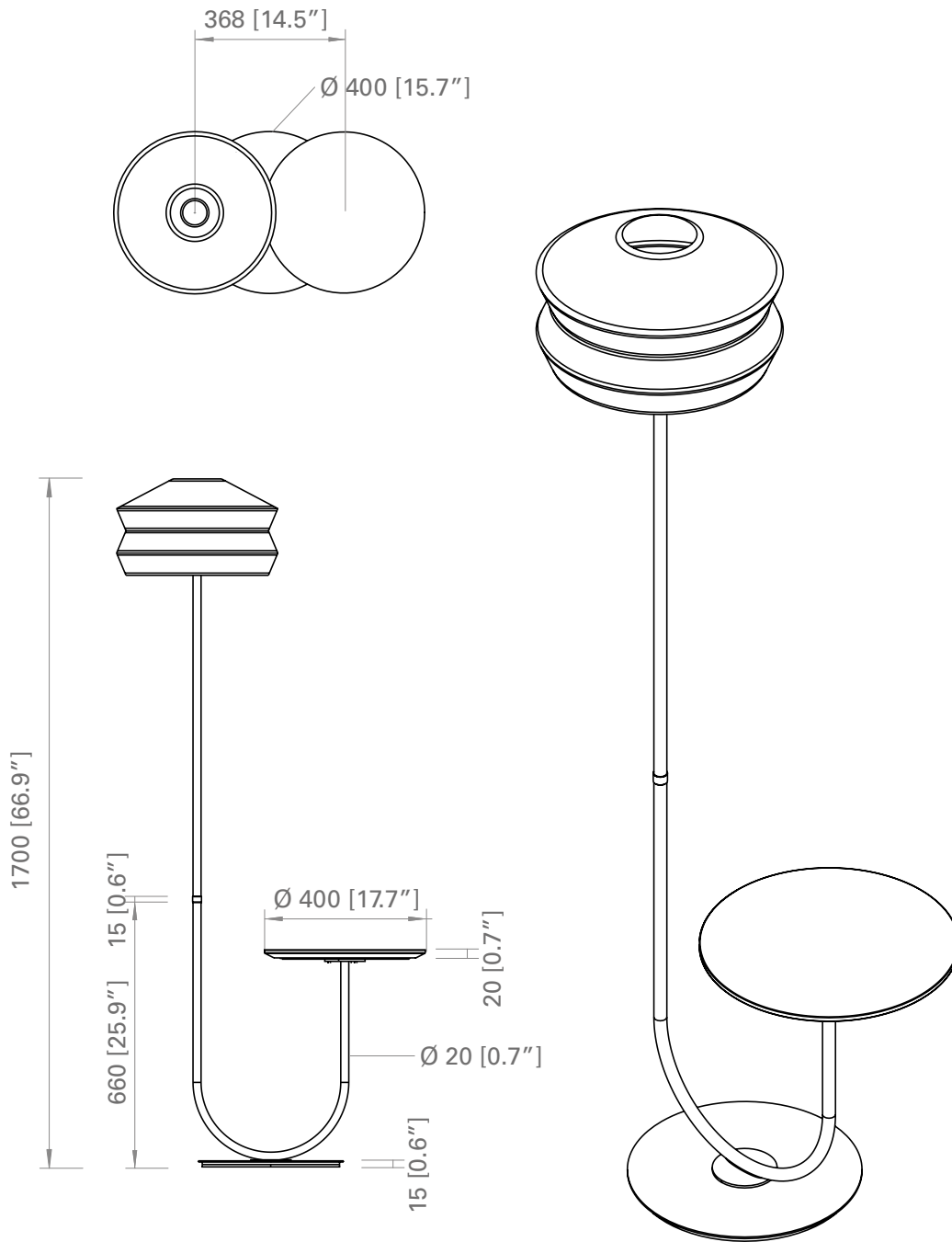
**110V**



E26 LED

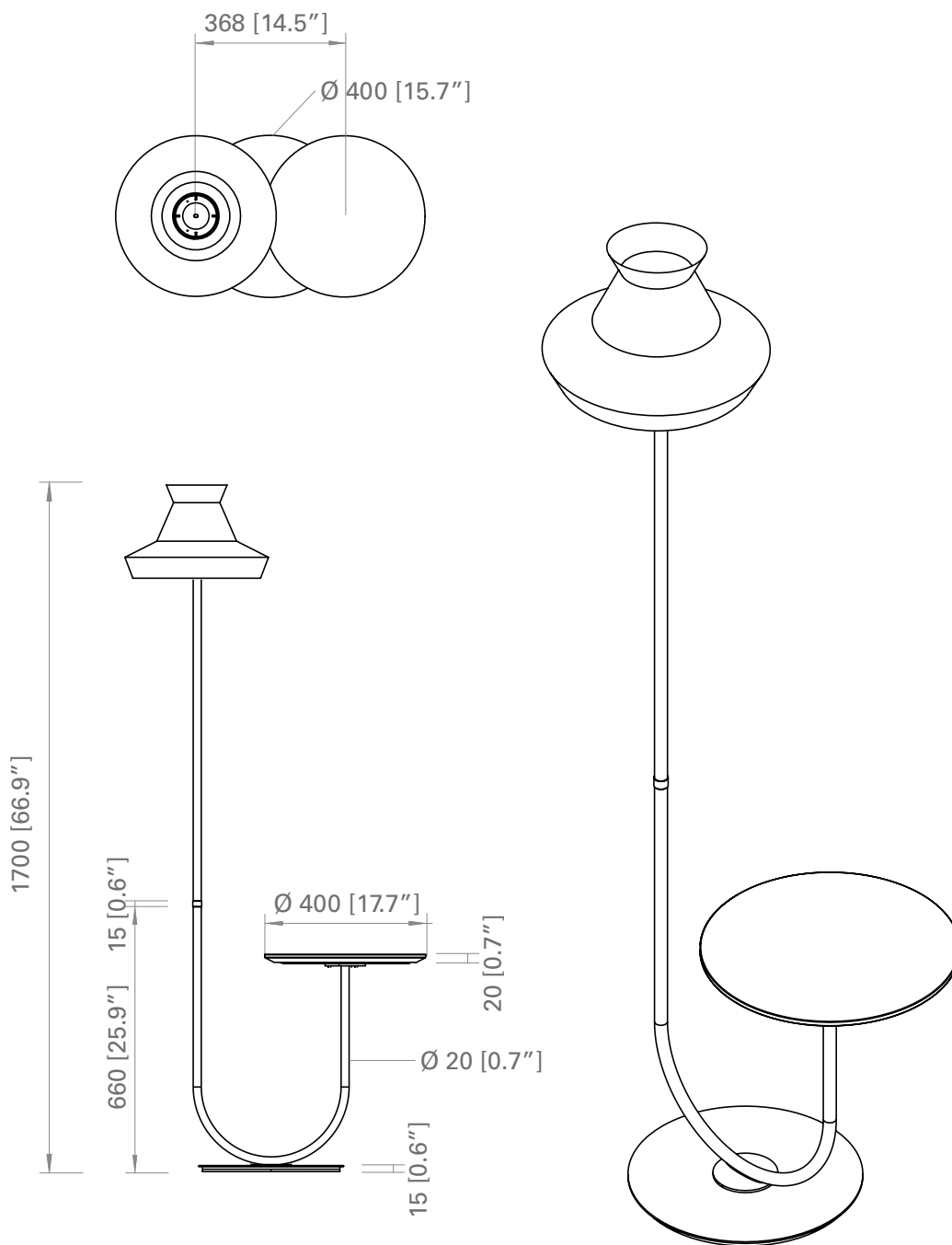
1 x 14W E26  
Dimmable LED light bulb  
IP20





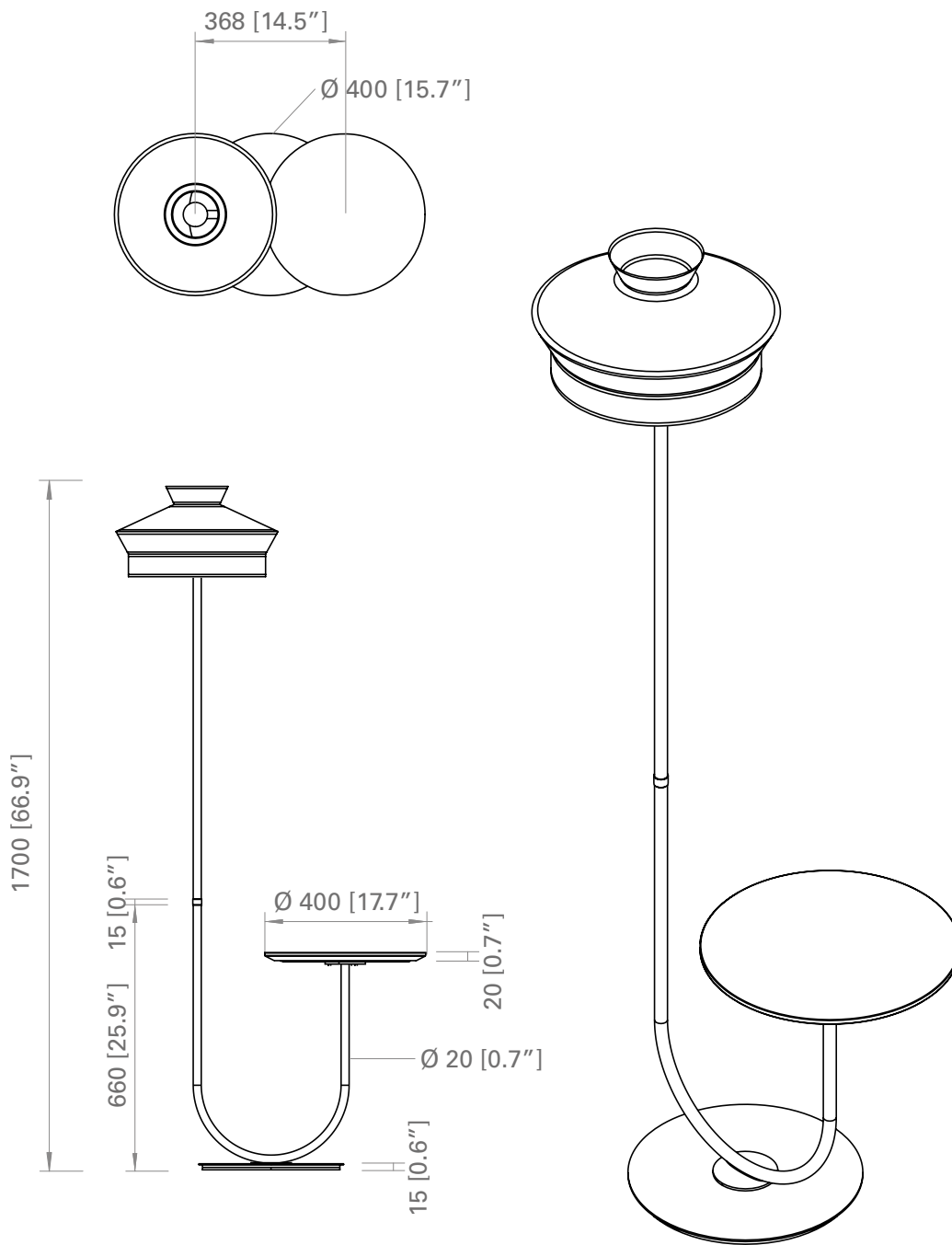
**PRODOTTO / PRODUCT**   **IMBALLI / PACKAGING**

<b>Peso-Weight</b>	<b>Box 1</b>	<b>Box 2</b>	<b>Box 3</b>
20 kg / 44 lbs	L: 620 mm / 24.4" P-W: 620 mm / 24.4" H: 1820 mm / 71.6" Peso-Weight: 7.5 kg / 18.5 lbs	L: 420 mm / 16.5" P-W: 420 mm / 16.5" H: 160 mm / 6.3" Peso-Weight: 15.5 kg / 34.1 lbs	L: 470 mm / 18.5" P-W: 470 mm / 18.5" H: 430 mm / 16.9" Peso-Weight: 3 kg / 6.6 lbs



PRODOTTO / PRODUCT IMBALLI / PACKAGING

Peso-Weight	Box 1	Box 2	Box 3
20 kg / 44 lbs	L: 620 mm / 24.4"	L: 420 mm / 16.5"	L: 470 mm / 18.5"
	P-W: 620 mm / 24.4"	P-W: 420 mm / 16.5"	P-W: 470 mm / 18.5"
	H: 1820 mm / 71.6"	H: 160 mm / 6.3"	H: 430 mm / 16.9"
	Peso-Weight: 7.5 kg / 18.5 lbs	Peso-Weight: 15.5 kg / 34.1 lbs	Peso-Weight: 3 kg / 6.6 lbs



**PRODOTTO / PRODUCT**   **IMBALLI / PACKAGING**

	<b>Box 1</b>	<b>Box 2</b>	<b>Box 3</b>
<b>Peso-Weight</b>			
20 kg / 44 lbs	L: 620 mm / 24.4" P-W: 620 mm / 24.4" H: 1820 mm / 71.6" Peso-Weight: 7.5 kg / 18.5 lbs	L: 420 mm / 16.5" P-W: 420 mm / 16.5" H: 160 mm / 6.3" Peso-Weight: 15.5 kg / 34.1 lbs	L: 470 mm / 18.5" P-W: 470 mm / 18.5" H: 430 mm / 16.9" Peso-Weight: 3 kg / 6.6 lbs

Copyright and/or design rights subsist in this drawing. No part of this drawing may be reproduced in any material form (including photocopying or storing in any medium electronic means, whether or not intentionally and whether or not as part or a larger publication) without the express permission of the copyright owner, Contardi Lighting S.r.l.. Further and without prejudice to the above, this drawing and all information relating thereto is confidential, and shall not be communicated to a third party without the consent of Contardi lighting srl. Contardi lighting srl asserts all rights to be identified as the author of the work and otherwise.

WARNING: The doing of any unauthorised act in relation to a copyright work may result in both a civil claim for damages and criminal prosecution.

---

**CONTARDI LIGHTING Srl**

ITALY HEADQUARTERS

[www.contardi-italia.com](http://www.contardi-italia.com) / [sales@contardi-italia.it](mailto:sales@contardi-italia.it)

**CONTARDI USA Inc**

USA BRANCH

[www.contardi-usa.com](http://www.contardi-usa.com) / [sales@contardi-usa.com](mailto:sales@contardi-usa.com)

