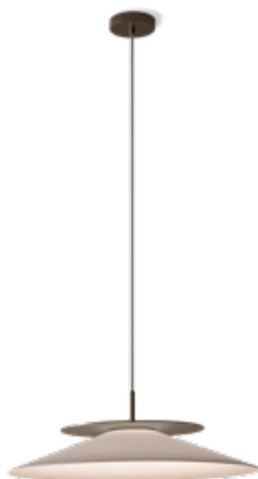


Asia

Federico Peri



AP/PL



SO



TA



Asia è un concetto innovativo la cui fonte di luce è sia la parte funzionale che quella decorativa della lampada, incarnando così perfettamente l'etica di Contardi di fondere tecnologia all'avanguardia e design creativo. Una gamma di prodotti caratterizzata da una forma pulita e lineare, ma con una forte personalità, il paralume di Asia si ispira ai cappelli a punta dei raccoglitori di riso cinesi e l'accostamento materico di tessuto, vetro e metallo è un'ulteriore caratteristica fondamentale della collezione. Asia è disponibile in due diverse versioni: una con il paralume in cotone bianco (esterno e interno), la seconda con un lato in tessuto di cotone bianco e l'altro in cotone color antracite. Si presenta come modelli da tavolo, da parete, da soffitto e da sospensione di diverse dimensioni.

Asia is an innovative concept whose light source is both the functional and the decorative part of the lamp, thus perfectly encapsulating Contardi's ethos of blending state-of-the-art technology and creative design. A product range characterised by a clean and linear form, yet with a strong personality, Asia's lampshade is inspired by the pointed hats of Chinese rice pickers, and the material combination of fabric, glass and metal is a further key feature of the collection. Asia is available in two different versions: one with the lampshade in white cotton (outside and inside), the second with one side in white cotton fabric and the other in anthracite-coloured cotton. It comes as table, wall, ceiling and suspension models of different sizes.

SPECIFICHE PRODOTTO / PRODUCT SPECIFICS

ASIA AP/PL SMALL
ASIA AP/PL MEDIUM
ASIA AP/PL LARGE

p.2

ASIA SO MEDIUM
ASIA SO LARGE

p.4

p.5

p.6

p.7

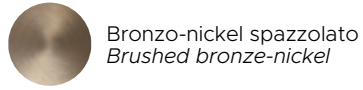
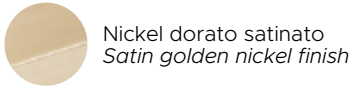
p.8

ASIA TA SMALL
ASIA TA MEDIUM

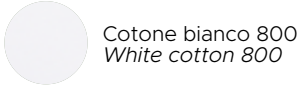
p.9

p.10

STRUTTURA / FRAME



PARALUME / SHADES



DIFFUSORE / DIFFUSER



FRONT LIGHT SOURCE / LIGHT SOURCE

220-240V



COB LED

AP / PL SMALL

1 x 32W
COB LED
Emissione / Light emission: 2.800 Lm
2.700 K; CRI>90
IP20

AP / PL / SO MEDIUM

1 x 37W
COB LED
Emissione / Light emission: 3.500 Lm
2.700 K; CRI>90
IP20

AP / PL / SO LARGE

1 x 40W
COB LED
Emissione / Light emission: 4.500 Lm
2.700 K; CRI: >90
IP20



Strip LED

TA SMALL

1 x 13W
Strip LED
Emissione / Light emission: 1.500 Lm
2.700 K; CRI: >90
IP20

TA MEDIUM

1 x 20W
Strip LED
Emissione / Light emission: 2.300 Lm
2.700 K; CRI: >90
IP20

SO - AP - PL

Dimmerabile a taglio di fase/Triac.
Compatibilità con sistemi di dimmerazione
(DALI e 1-10V) disponibili su richiesta

*Phase cut/Triac dimming.
Compatibility with other dimming systems
(DALI and 1-10V) available on request*

TA

Dimmerabile, interruttore push sulla base

Dimmable, push switch on base



110V



COB LED

AP / PL SMALL

1 x 32W
COB LED
Light emission: 2.800 Lm
2.700 K; CRI>90
IP20

AP / PL / SO MEDIUM

1 x 37W
COB LED
Light emission: 3.500 Lm
2.700 K; CRI>90
IP20

AP / PL / SO LARGE

1 x 40W
COB LED
Light emission: 4.500 Lm
2.700 K; CRI: >90
IP20



Strip LED

TA SMALL

1 x 13W
Strip LED
Light emission: 1.500 Lm
2.700 K; CRI: >90
IP20

TA MEDIUM

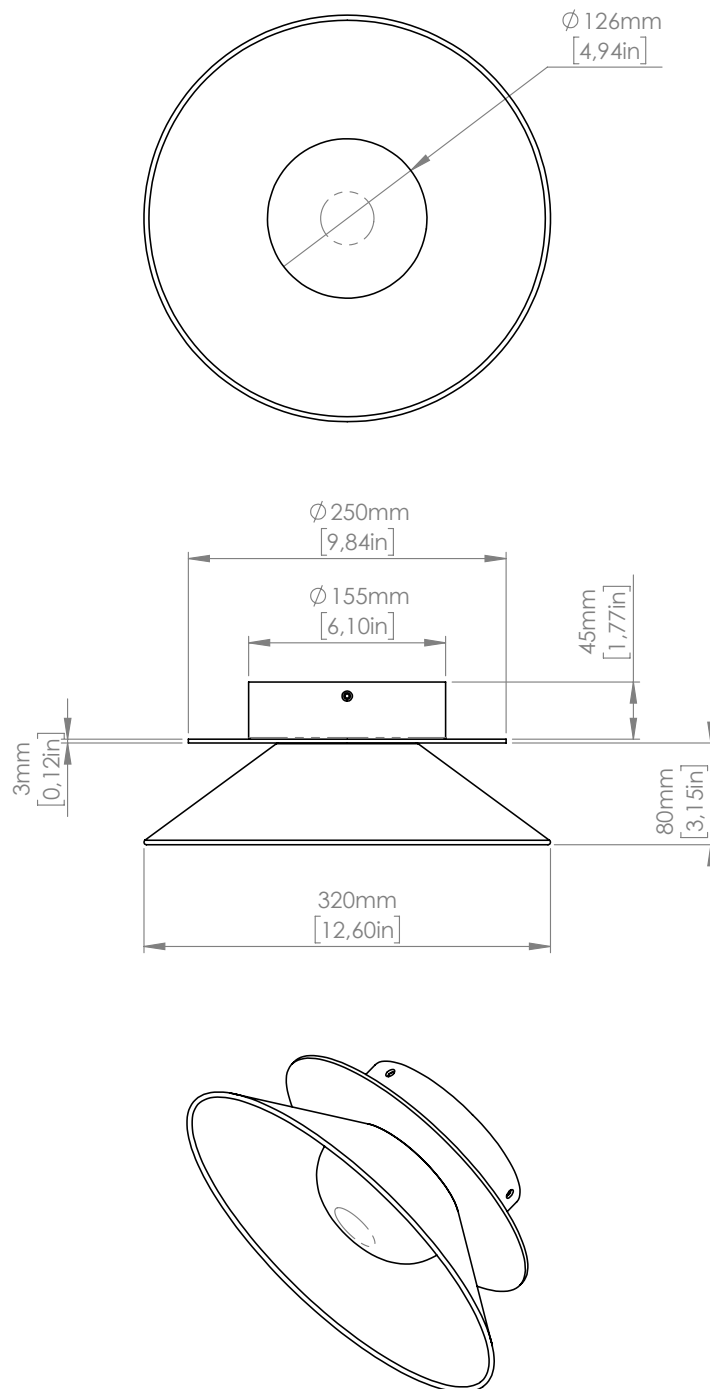
1 x 20W
Strip LED
Light emission: 2.300 Lm
2.700 K; CRI: >90
IP20

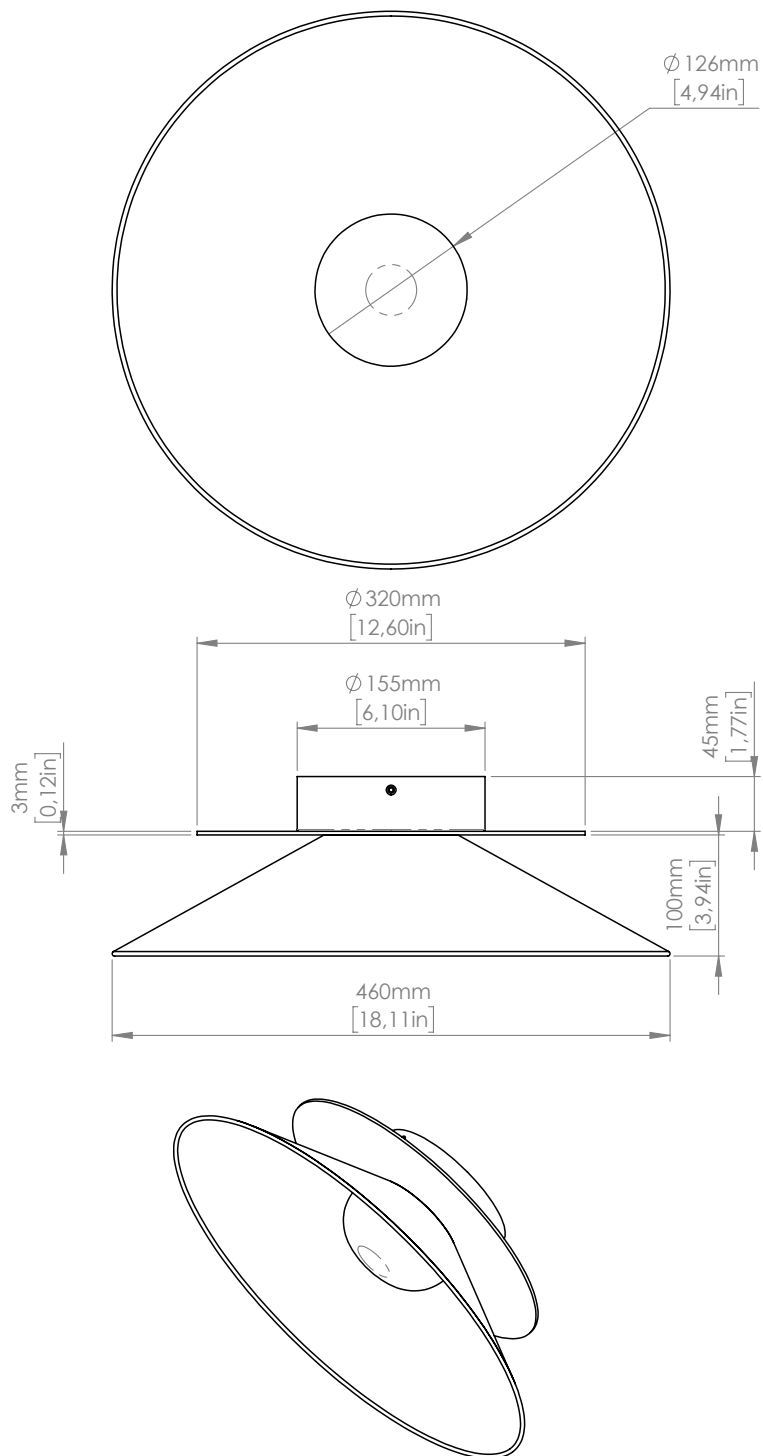
SO - AP - PL

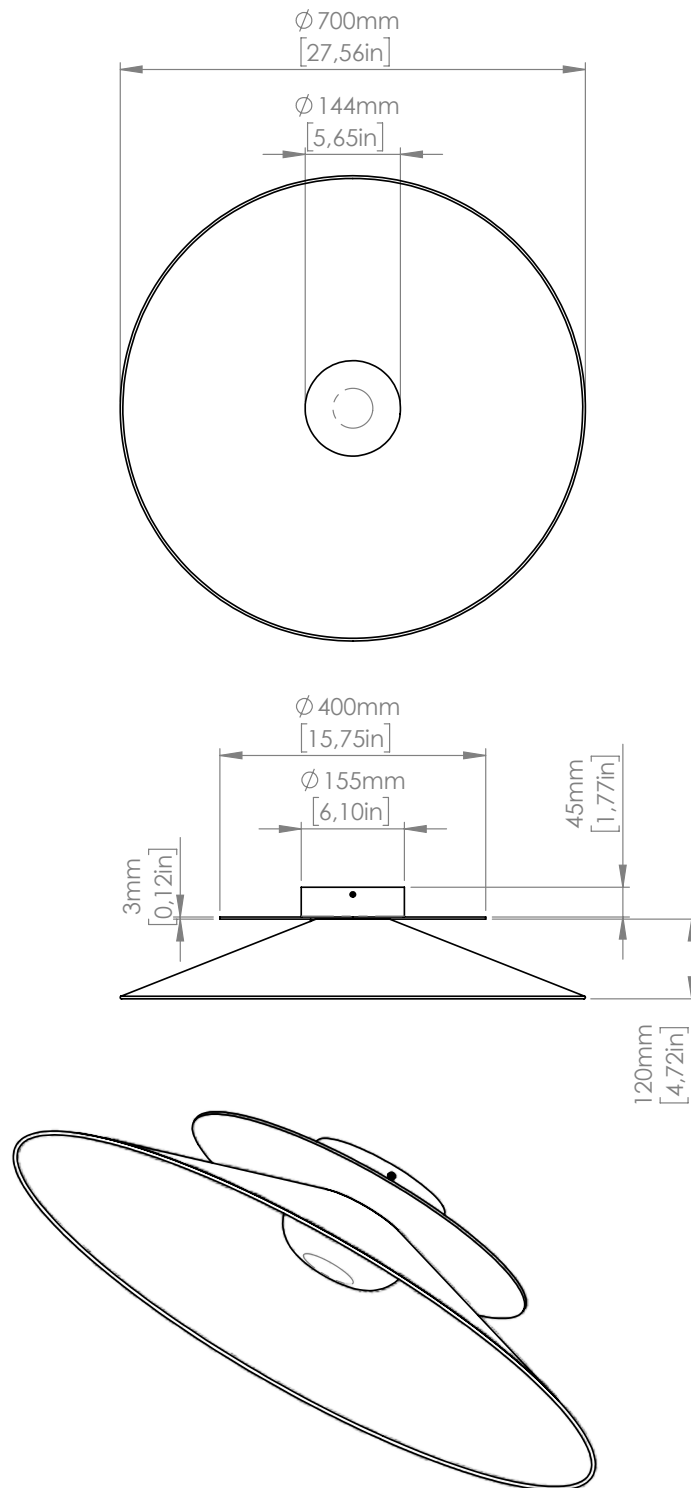
Phase cut dimming/Triac - 1-10V dimming systems available on demand

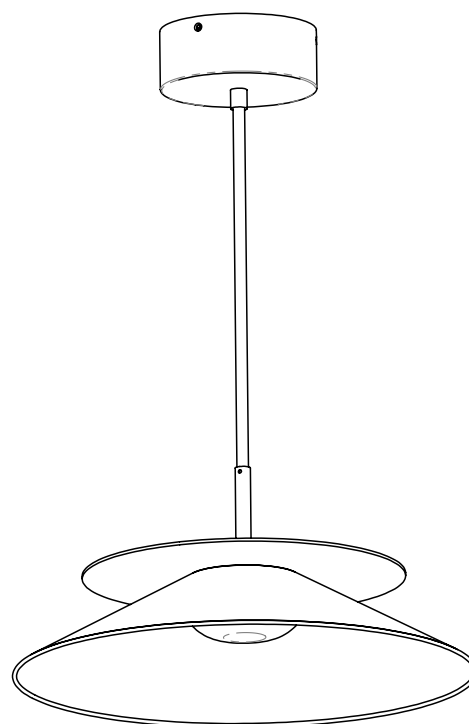
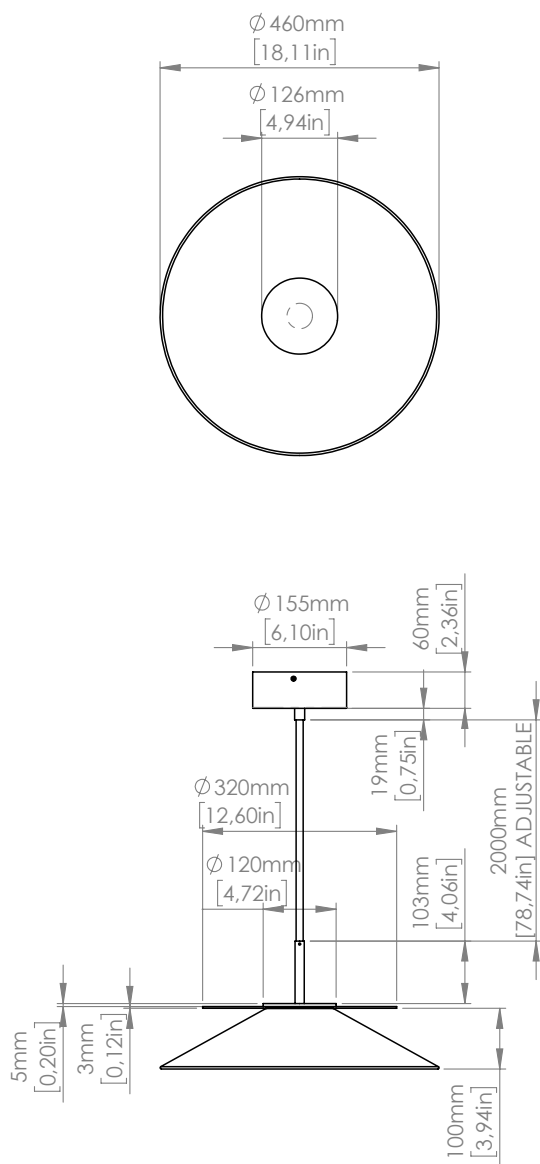
TA

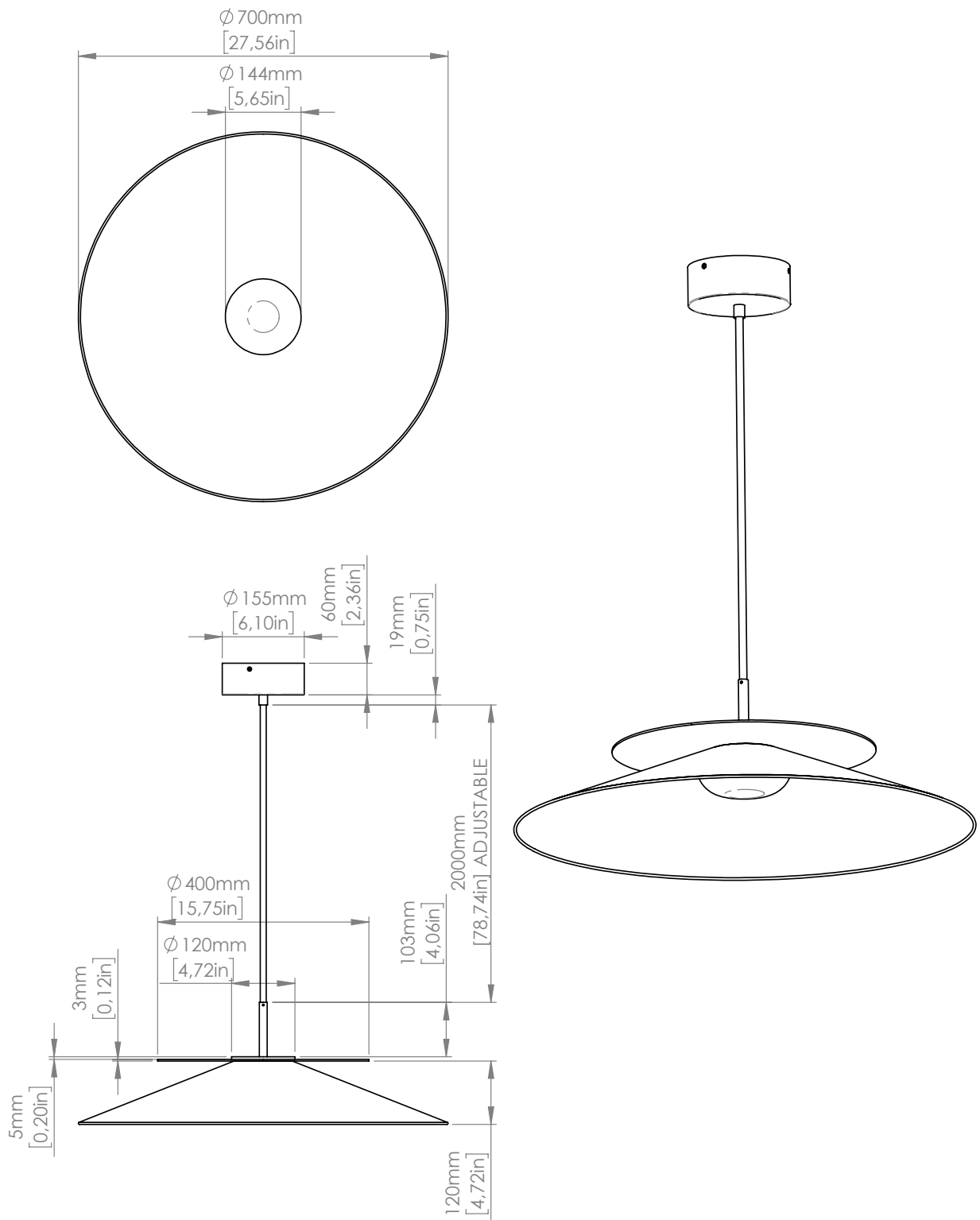
Dimmable, push switch on base

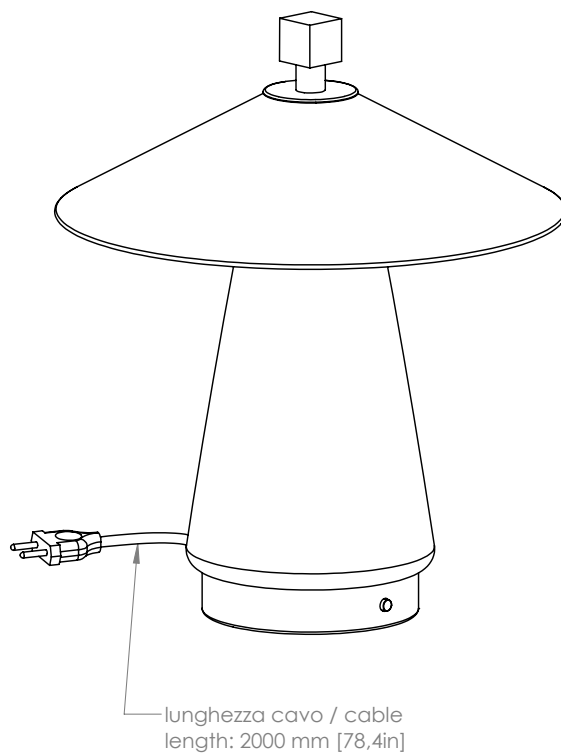
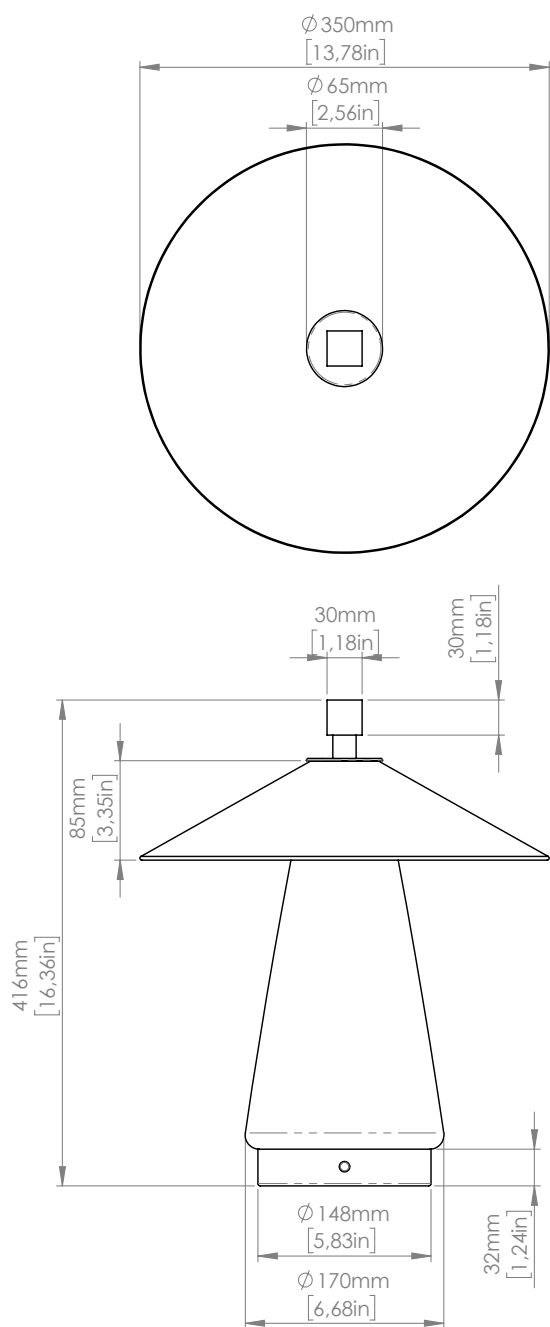


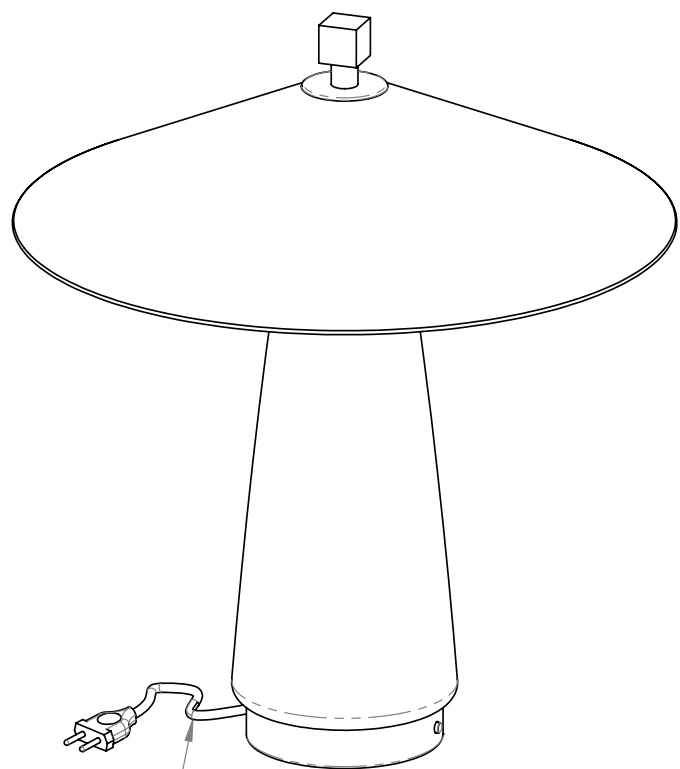
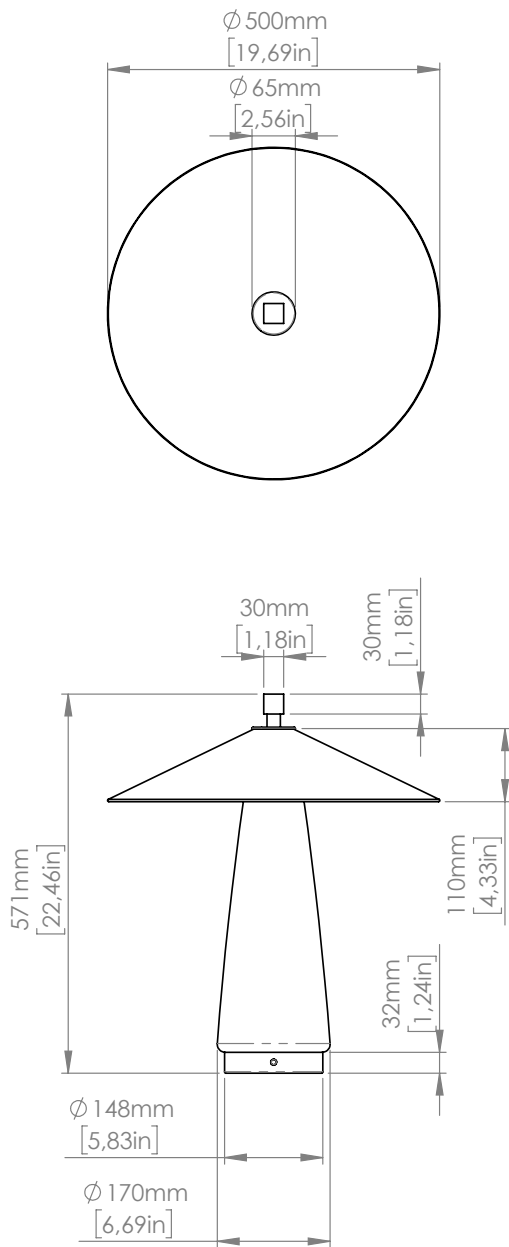












lunghezza cavo / cable length: 2000 mm [78,4in]

Copyright and/or design rights subsist in this drawing. No part of this drawing may be reproduced in any material form (including photocopying or storing in any medium electronic means, whether or not intentionally and whether or not as part or a larger publication) without the express permission of the copyright owner, Contardi Lighting S.r.l.. Further and without prejudice to the above, this drawing and all information relating thereto is confidential, and shall not be communicated to a third party without the consent of Contardi lighting srl. Contardi lighting srl asserts all rights to be identified as the author of the work and otherwise.

WARNING: The doing of any unauthorised act in relation to a copyright work may result in both a civil claim for damages and criminal prosecution.

CONTARDI LIGHTING Srl

ITALY HEADQUARTERS

www.contardi-italia.com / sales@contardi-italia.it

CONTARDI USA Inc

USA BRANCH

www.contardi-usa.com / office@contardi-usa.com

