

Stick suspension

STUDIOPEPE



Stick suspension

STUDIOPEPE



L.900 | L.1500
SUSPENSION



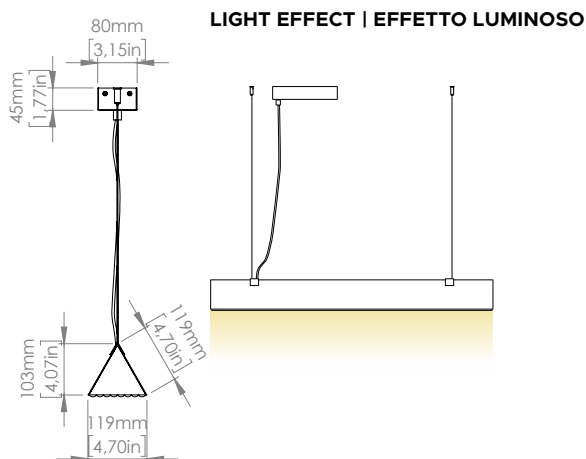
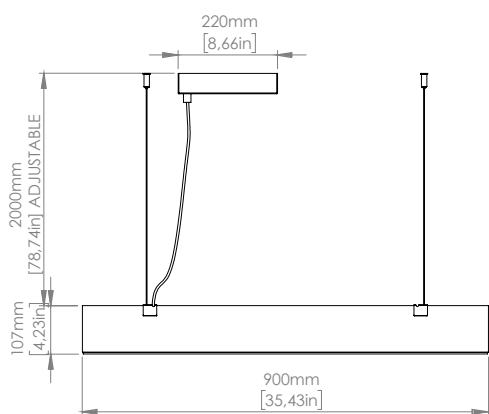
TRIO
SUSPENSION TRIO

Stick represents the beauty of form. With triangular elements and clean lines, it emits an evocative and functional light, while the ribbed diffuser adds a decorative touch. The range includes wall, suspension, and floor versions. Aesthetically minimalist, Stick blends pure and architectural elements into a lighting fixture of great character.

Stick rappresenta la bellezza delle forme. Con elementi triangolari dalle linee essenziali, emana una luce suggestiva e funzionale, mentre il diffusore cannettato aggiunge un elemento decorativo. La gamma comprende versioni a parete, sospensione e da terra. Esteticamente minimalista, Stick fonde elementi puri e architettonici in un corpo illuminante di grande carattere.

- P3 **Stick suspension l. 900**
- P4 **Stick suspension l.1500**
- P5 **Stick suspension trio**

SUSPENSION L.900



LIGHT SOURCE | FONTE LUMINOSA

220-240V · 110V | 1x40 W Custom LED
3.750 Lm | 2.700 K | CRI >90

DIMMING | DIMMERAZIONE

Phase cut (Triac) | Taglio di fase
DALI or 1-10V on demand | DALI o 1-10V su richiesta

CABLE | CAVO

Transparent cable | Cavo trasparente
Steel cables for balancing | Cavi di bilanciamento in acciaio
H.2000mm [78.7"]

FINISHES | FINITURE

METAL FRAME | STRUTTURA METALLICA

-  Champagne
Champagne
-  Brushed bronze-nickel
Bronzo-nickel spazzolato

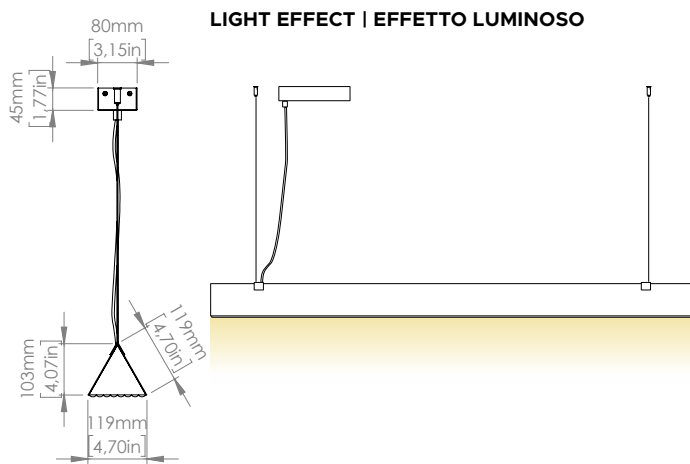
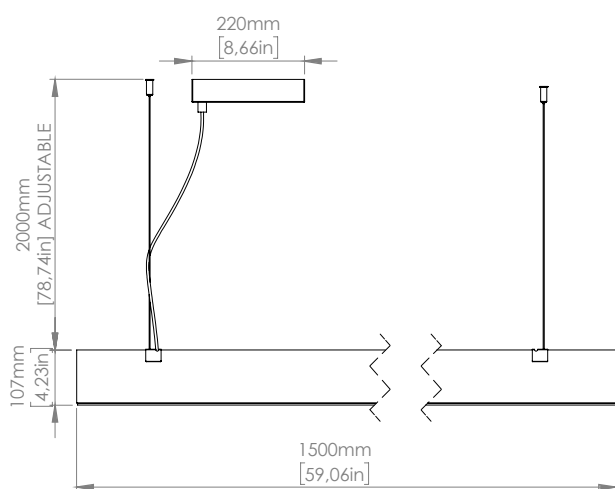
DIFFUSER | DIFFUSORE

-  Ribbed
Rigato

Packaging | Imballi

L.900	980x170xh.180mm [38.5"x6.6"xh.7"]
	5 kg [11 lbs]

SUSPENSION L.1500



LIGHT SOURCE | FONTE LUMINOSA

220-240V · 110V | 1x65 W Custom LED
6.250 Lm | 2.700 K | CRI >90

DIMMING | DIMMERAZIONE

Phase cut (Triac) | Taglio di fase
DALI or 1-10V on demand | DALI o 1-10V su richiesta

CABLE | CAVO

Transparent cable | Cavo trasparente
Steel cables for balancing | Cavi di bilanciamento in acciaio
H.2000mm [78.7"]

FINISHES | FINITURE

METAL FRAME | STRUTTURA METALLICA

- Champagne
- Brushed bronze-nickel
- Champagne
- Bronzo-nickel spazzolato

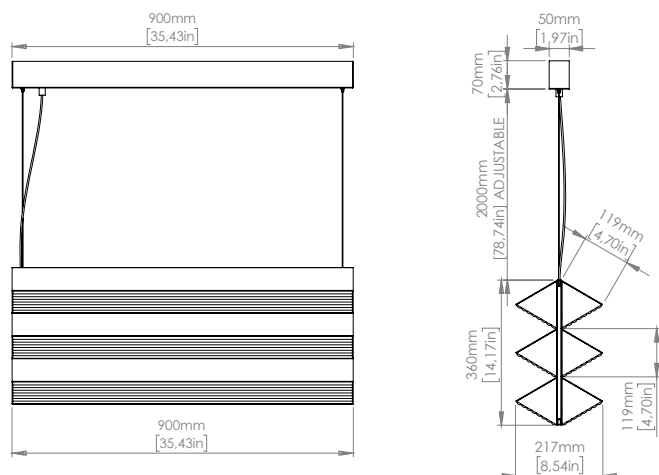
DIFFUSER | DIFFUSORE

- Ribbed
- Rigato

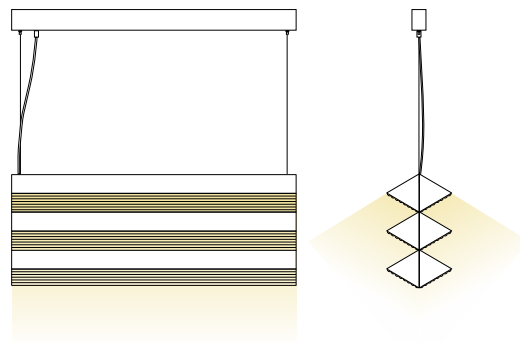
Packaging | Imballi

L.1500	1590x180xh.180mm [62.5"x7"xh.7"]
	7,5 kg [16.5 lbs]

SUSPENSION TRIO



LIGHT EFFECT | EFFETTO LUMINOSO



LIGHT SOURCE | FONTE LUMINOSA

220-240V · 110V | 6x40 W Custom LED
22.500 Lm | 2.700 K | CRI >90

DIMMING | DIMMERAZIONE

Phase cut (Triac) | Taglio di fase
DALI or 1-10V on demand | DALI o 1-10V su richiesta

CABLE | CAVO

Transparent cable | Cavo trasparente
Steel cables for balancing | Cavi di bilanciamento in acciaio
H.2000mm [78.7"]

FINISHES | FINITURE

METAL FRAME | STRUTTURA METALLICA

-  Champagne
Champagne
-  Brushed bronze-nickel
Bronzo-nickel spazzolato

DIFFUSER | DIFFUSORE

-  Ribbed
Rigato

Packaging | Imballi Box 1

TRIO	1020x730xh.340mm [40.1"x28.7"xh.13.3"]
	28 kg [17.6 lbs]



CONTARDI LIGHTING Srl

ITALY HEADQUARTERS
contardi-italia.com

CONTARDI USA Inc

USA BRANCH
contardi-usa.com

Copyright and/or design rights subsist in this drawing. No part of this drawing may be reproduced in any material form (including photocopying or storing in any medium electronic means, whether or not intentionally and whether or not as part or a larger publication) without the express permission of the copyright owner, Contardi Lighting S.r.l.. Further and without prejudice to the above, this drawing and all information relating thereto is confidential, and shall not be communicated to a third party without the consent of Contardi lighting srl. Contardi Lighting Srl asserts all rights to be identified as the author of the work and otherwise.

WARNING: The doing of any unauthorised act in relation to a copyright work may result in both a civil claim for damages and criminal prosecution.