

# Stick so

Studioepepe



SO



SO TRIO



Preziosa semplicità.

Elementi triangolari dalle linee pure ed essenziali, che emanano una luce suggestiva pur essendo funzionali. La luce diventa protagonista, grazie al diffusore rigato, scelto ad hoc per produrre giochi di luce unici in vari contesti. Prodotto esteticamente minimalista, Stick è tecnicamente realizzato secondo uno standard molto elevato, senza viti o fissaggi, tranne sul retro. Elementi puri e architettonici si fondono all'interno di un corpo illuminante di grande carattere. Stick illumina l'ambiente circostante in modo uniforme se visto di fronte; tuttavia, a seconda dell'angolo di visione, crea effetti di luce differenti. La gamma di prodotti Stick è costituita da lampade a parete, a sospensione e da terra.

*Precious simplicity.*

*Triangular elements with pure, essential lines, which emanate an atmospheric light while being functional. Light takes the leading role, thanks to the ribbed diffuser, chosen specifically to produce unique plays of illumination in various contexts. An aesthetically minimalist product, Stick is technically made to a very high standard, with no screws or attachments, except on the back. Pure and architectural elements are combined within a lighting unit of great character. Stick lights its surroundings evenly when seen from the front; however, depending on the viewing angle, it creates different light effects. The The Stick product range consists of wall, pendant and floor lamps.*

SPECIFICHE PRODOTTO / PRODUCT SPECIFICS

STICK SO SMALL L.90  
STICK SO LARGE L.150  
STICK SO TRIO

p.2

p.3

p.4

p.5

**STRUTTURA / FRAME**

Nickel dorato satinato  
*Satin golden nickel*




Rame satinato  
*Satin copper*

**DIFFUSORE / DIFFUSER**

Plexiglass rigato  
*Striped plexiglass*

**FONTE LUMINOSA / LIGHT SOURCE****220-240V**

 Custom LED

**SO L.90**

1 x 40W  
Custom LED  
Emission / Light emission: 3.750 Lm  
2.700 K; CRI: >90  
IP20

**SO L.150**

1 x 65W  
Custom LED  
Emission / Light emission: 6.250 Lm  
2.700 K; CRI: >90  
IP20


**SO TRIO**

6 x 40W  
Custom LED  
Emission / Light emission: 22.500 Lm  
2.700 K; CRI: >90  
IP20

Dimmerazione taglio di fase/Triac -  
altri sistemi di dimmerazione (DALI  
e 1-10V) disponibili su richiesta

*Phase cut/Triac dimming - alternative  
dimming systems (DALI and 1-10V)  
available on demand*

**110V**

 Custom LED

**SO L.90**

1 x 40W  
Custom LED  
Light emission: 3.750 Lm  
2.700 K; CRI: >90  
IP20

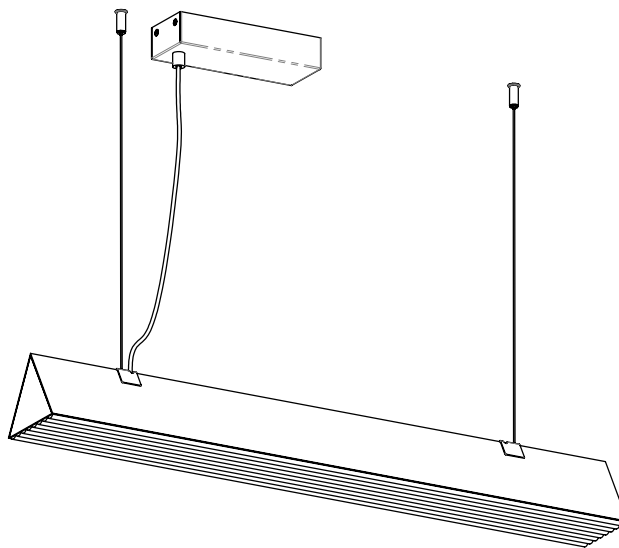
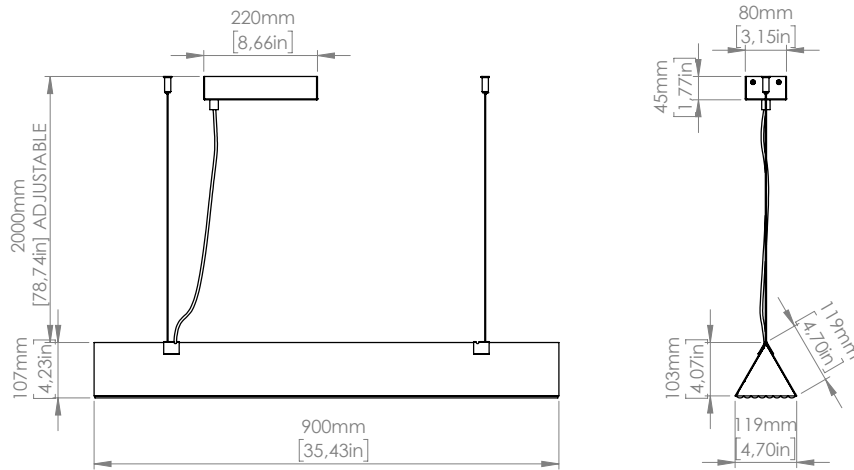
**SO L.150**

1 x 65W  
Custom LED  
Light emission: 6.250 Lm  
2.700 K; CRI: >90  
IP20

**SO TRIO**

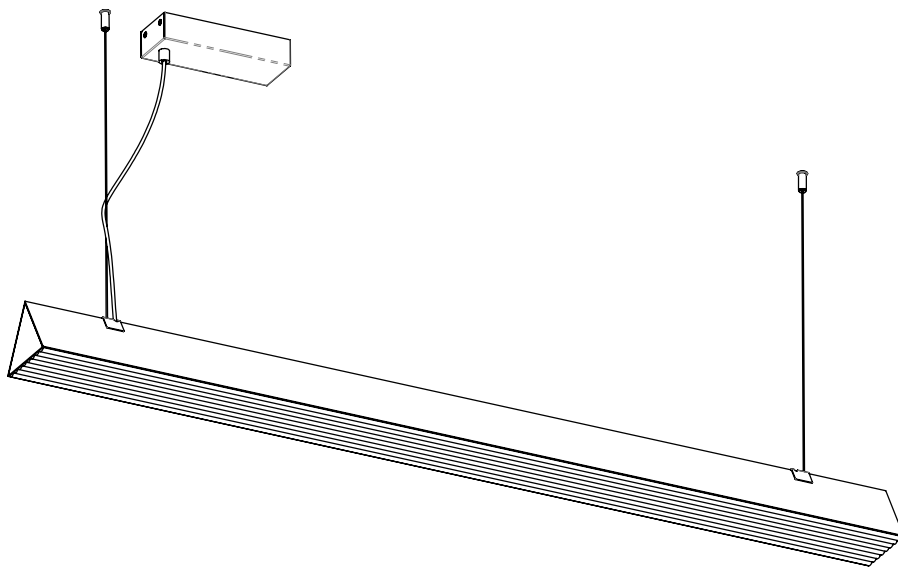
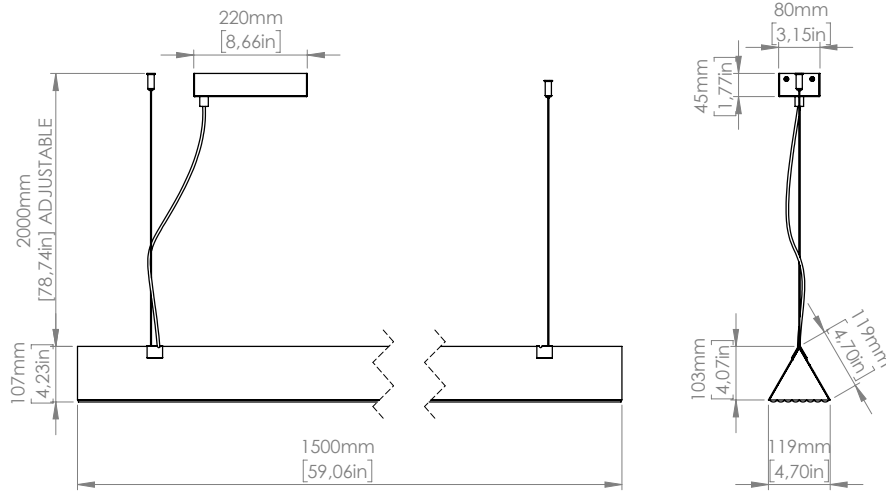
6 x 40W  
Custom LED  
Light emission: 22.500 Lm  
2.700 K; CRI: >90  
IP20

Phase cut/Triac dimming - alternative  
dimming systems (DALI and 1-10V)  
available on demand



**PRODOTTO / PRODUCT**    **IMBALLI / PACKAGING**

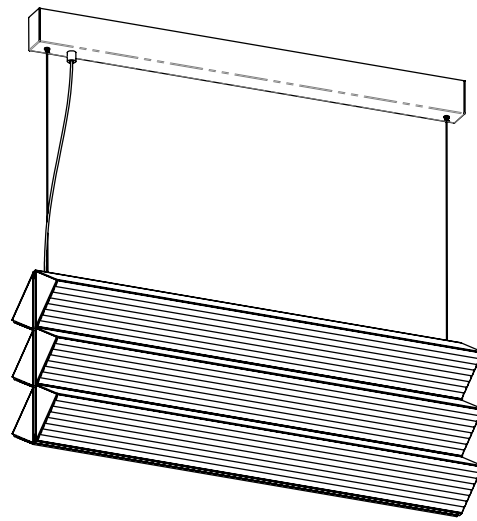
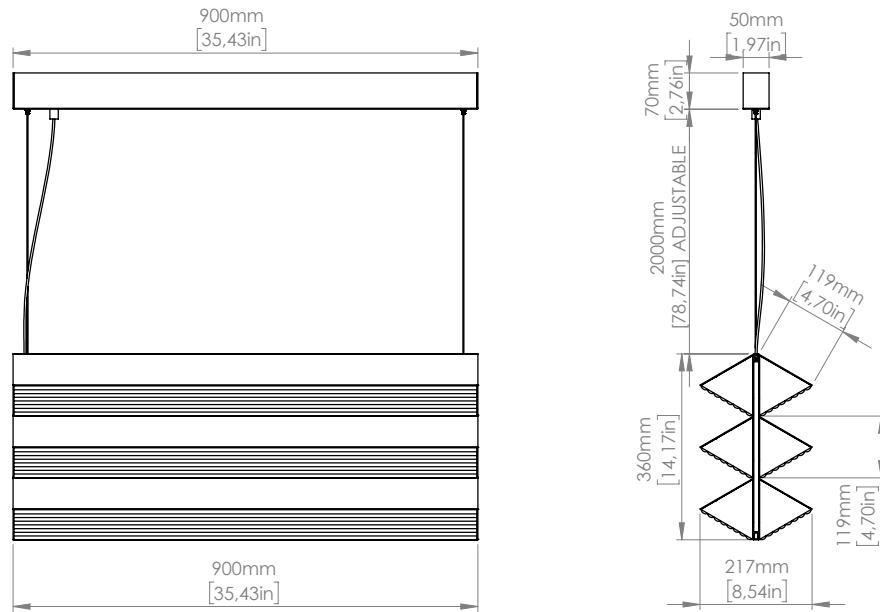
<p><b>Peso-Weight</b> 4.5 kg / 9.9 lbs</p>	<p><b>Box 1</b> L: 980 mm / 38.5" P-W: 170 mm / 6.7" H: 180 mm / 7.1" Peso-Weight: 5 kg / 11 lbs</p>
--	--



**PRODOTTO / PRODUCT**    **IMBALLI / PACKAGING**

**Peso-Weight**  
7 kg / 15.4 lbs

**Box 1**  
L: 1590 mm / 62.6"  
P-W: 180 mm / 7.1"  
H: 180 mm / 7.1"  
Peso-Weight: 7.5 kg / 16.5 lbs



**PRODOTTO / PRODUCT**    **IMBALLI / PACKAGING**

**Peso-Weight**  
25 kg / 55.1 lbs

**Box 1**  
L: 1020 mm / 47.2"  
P-W: 730 mm / 47.2"  
H: 340 mm / 35.4"  
Peso-Weight: 28 kg / 61.7 lbs

Copyright and/or design rights subsist in this drawing. No part of this drawing may be reproduced in any material form (including photocopying or storing in any medium electronic means, whether or not intentionally and whether or not as part or a larger publication) without the express permission of the copyright owner, Contardi Lighting S.r.l.. Further and without prejudice to the above, this drawing and all information relating thereto is confidential, and shall not be communicated to a third party without the consent of Contardi lighting srl. Contardi lighting srl asserts all rights to be identified as the author of the work and otherwise.

WARNING: The doing of any unauthorised act in relation to a copyright work may result in both a civil claim for damages and criminal prosecution.

---

**CONTARDI LIGHTING Srl**

ITALY HEADQUARTERS

contardi-italia.com / sales@contardi-italia.it

**CONTARDI USA Inc**

USA BRANCH

contardi-usa.com / office@contardi-usa.com