

# Alma suspension

CONTROVENTO



# Alma suspension

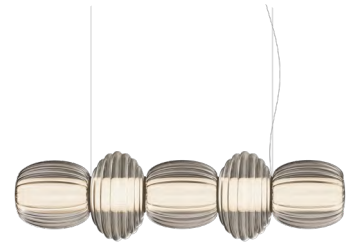
CONTROVENTO



**AURA | LUME | NOVA**  
SUSPENSION



**MULTIPLA**  
SUSPENSION



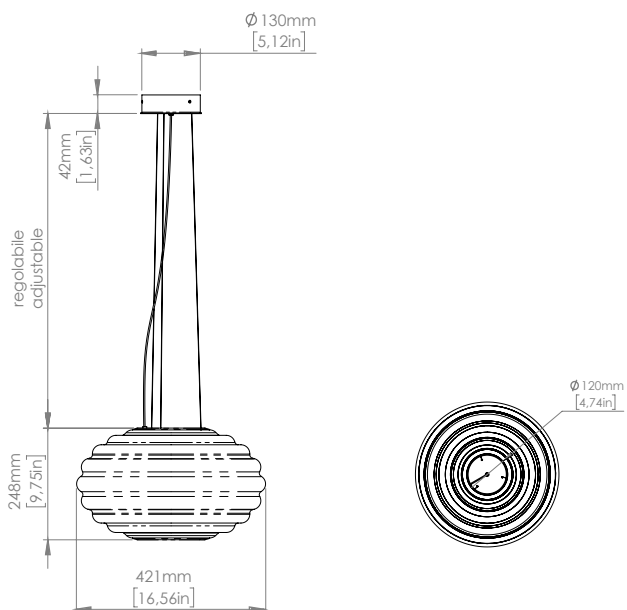
**PLURIMA**  
SUSPENSION

Alma transforms light into a poetic presence. Blown glass and pleated fabric diffusers blend together in suspension, table and floor lamps. Sculptural shapes and delicate colors create light, contemporary compositions that redefine space with elegance and a touch of surprise, creating welcoming, refined environments with a distinctive character.

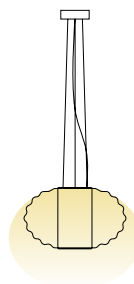
Alma trasforma la luce in una presenza poetica. Vetro soffiato e diffusore in tessuto plissé si fondono in sospensioni, lampade da tavolo e da terra. Forme scultoree e colori delicati danno vita a composizioni leggere e contemporanee, capaci di ridefinire lo spazio con eleganza e sorpresa, creando ambienti accoglienti, raffinati e dal carattere distintivo.

- P3 **Alma Aura suspension**
- P4 **Alma Lume suspension**
- P5 **Alma Nova suspension**
- P6 **Alma Multipla suspension**
- P7 **Alma Plurima suspension**

ALMA AURA SUSPENSION



LIGHT EFFECT | EFFETTO LUMINOSO



LIGHT SOURCE | FONTE LUMINOSA

220-240V · 110V | 1x16 W LED Module  
2.280 Lm | 2.700 K | CRI >90

DIMMING | DIMMERAZIONE

Phase cut (Triac) | Taglio di fase  
DALI or 1-10V on demand | DALI o 1-10V su richiesta

CABLE | CAVO

Coaxial electric cable | Cavo elettrico coassiale  
Steel cables for balancing | Cavi di bilanciamento in acciaio  
H.2000mm [78.7"]

FINISHES | FINITURE

METAL FRAME | STRUTTURA METALLICA

Champagne  
Champagne

PLISSÉ COTTON SHADE | PARALUME IN COTONE PLISSETTATO

White  
Bianco

GLASS DIFFUSER | DIFFUSORE IN VETRO

Amber  
Ambra

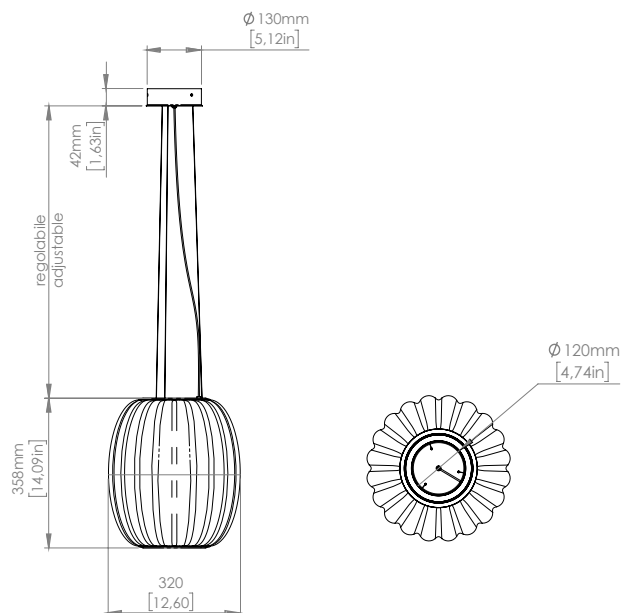
Plum  
Ametista

Clear  
Trasparente

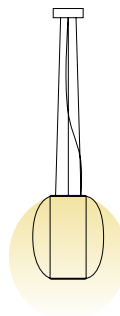
Packaging | Imballi

<b>AURA</b>	490x490xh.430mm [19.2"x19.2"xh.16.9"]
	7 kg [15.5 lbs]

ALMA LUME SUSPENSION



LIGHT EFFECT | EFFETTO LUMINOSO



LIGHT SOURCE | FONTE LUMINOSA

220-240V · 110V | 1x16 W LED Module  
2.280 Lm | 2.700 K | CRI >90

DIMMING | DIMMERAZIONE

Phase cut (Triac) | Taglio di fase  
DALI or 1-10V on demand | DALI o 1-10V su richiesta

CABLE | CAVO

Coaxial electric cable | Cavo elettrico coassiale  
Steel cables for balancing | Cavi di bilanciamento in acciaio  
H.2000mm [78.7"]

FINISHES | FINITURE

METAL FRAME | STRUTTURA METALLICA

Champagne  
Champagne

PLISSÉ COTTON SHADE | PARALUME IN COTONE PLISSETTATO

White  
Bianco

GLASS DIFFUSER | DIFFUSORE IN VETRO

Amber  
Ambra

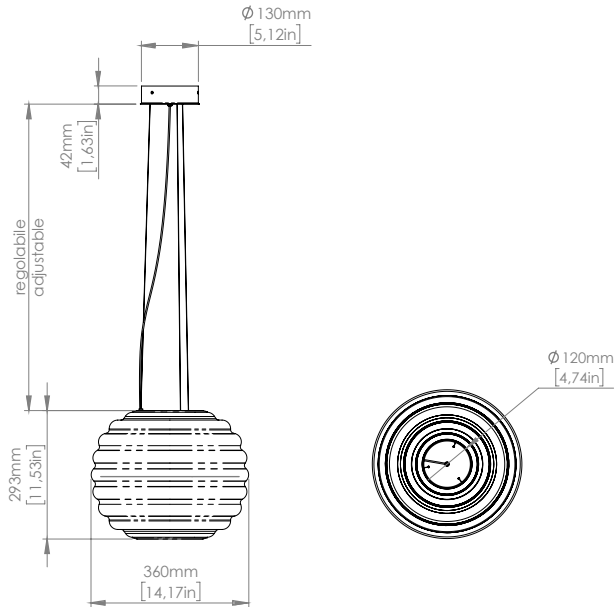
Plum  
Ametista

Clear  
Trasparente

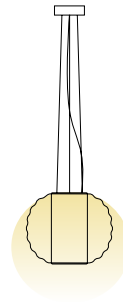
Packaging | Imballi

<b>LUME</b>	390x390xh.530mm [15.3"x15.3"xh.20.8"]
	7 kg [15.5 lbs]

ALMA NOVA SUSPENSION



LIGHT EFFECT | EFFETTO LUMINOSO



**LIGHT SOURCE | FONTE LUMINOSA**

220-240V · 110V | 1x16 W LED Module  
2.280 Lm | 2.700 K | CRI >90

**DIMMING | DIMMERAZIONE**


Phase cut (Triac) | Taglio di fase  
DALI or 1-10V on demand | DALI o 1-10V su richiesta

**CABLE | CAVO**

Coaxial electric cable | Cavo elettrico coassiale  
Steel cables for balancing | Cavi di bilanciamento in acciaio  
H.2000mm [78.7"]

**FINISHES | FINITURE**

METAL FRAME | STRUTTURA METALLICA


 Champagne  
Champagne

PLISSÉ COTTON SHADE | PARALUME IN COTONE PLISSETTATO

 White  
Bianco

GLASS DIFFUSER | DIFFUSORE IN VETRO

 Amber  
Ambra

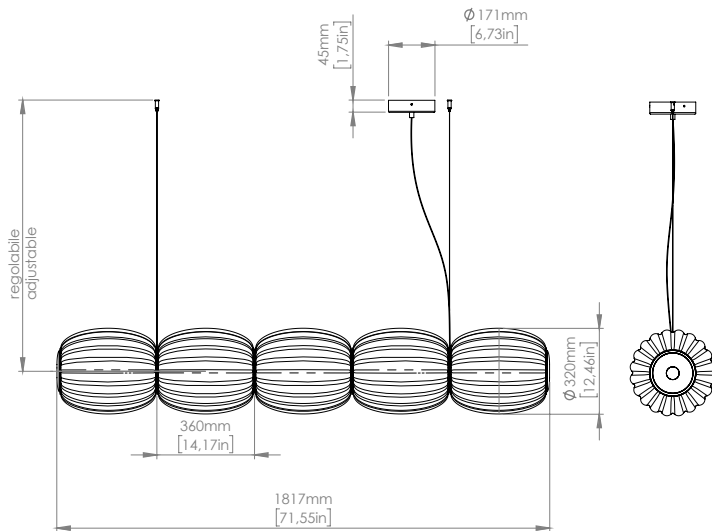
 Plum  
Ametista

 Clear  
Trasparente

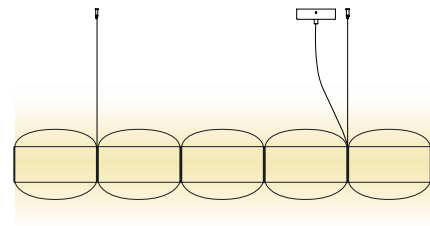
**Packaging | Imballi**

<b>NOVA</b>	430x430xh.160mm [16.9"x16.9"xh.6.2"]
	6 kg [13.2 lbs]

ALMA MULTIPLA SUSPENSION



LIGHT EFFECT | EFFETTO LUMINOSO



**LIGHT SOURCE | FONTE LUMINOSA**

220-240V · 110V | 1x80 W Custom strip LED  
 10.912 Lm | 2.700 K | CRI >90

**DIMMING | DIMMERAZIONE**

Phase cut (Triac) | Taglio di fase  
 DALI or 1-10V on demand | DALI o 1-10V su richiesta

**CABLE | CAVO**

Coaxial electric cable | Cavo elettrico coassiale  
 Steel cables for balancing | Cavi di bilanciamento in acciaio  
 H.2000mm [78.7"]

**FINISHES | FINITURE**

METAL FRAME | STRUTTURA METALLICA

Champagne  
 Champagne

PLISSÉ COTTON SHADE | PARALUME IN COTONE PLISSETTATO

White  
 Bianco

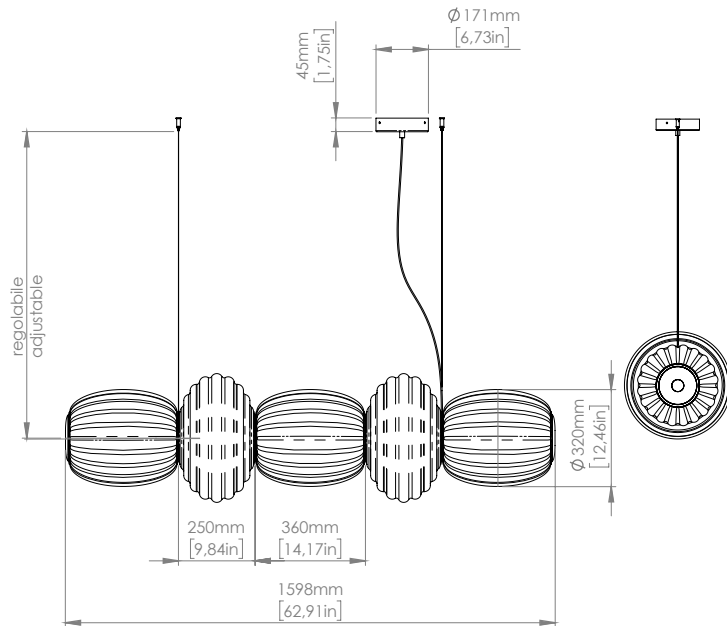
GLASS DIFFUSER | DIFFUSORE IN VETRO

Clear  
 Trasparente

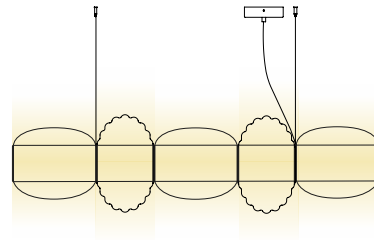
**Packaging | Imballi**

<b>MULTIPLA</b>	2050x560xh.670mm [80.7"x22"xh.26.3"]
	60 kg [132.2 lbs]

ALMA PLURIMA SUSPENSION



LIGHT EFFECT | EFFETTO LUMINOSO



**LIGHT SOURCE | FONTE LUMINOSA**

220-240V · 110V | 1x75 W Custom strip LED  
9.390 Lm | 2.700 K | CRI >90

**DIMMING | DIMMERAZIONE**


Phase cut (Triac) | Taglio di fase  
DALI or 1-10V on demand | DALI o 1-10V su richiesta

**CABLE | CAVO**

Coaxial electric cable | Cavo elettrico coassiale  
Steel cables for balancing | Cavi di bilanciamento in acciaio  
H.2000mm [78.7"]

**FINISHES | FINITURE**

METAL FRAME | STRUTTURA METALLICA

 Champagne  
Champagne

PLISSÉ COTTON SHADE | PARALUME IN COTONE PLISSETTATO

 White  
Bianco

GLASS DIFFUSER | DIFFUSORE IN VETRO

 Clear  
Trasparente

**Packaging | Imballi**

<b>PLURIMA</b>	1920x750xh.870mm [75.5"x29.5"xh.34.2"]
	55 kg [121.2 lbs]



**CONTARDI LIGHTING Srl**

ITALY HEADQUARTERS  
contardi-italia.com

**CONTARDI USA Inc**

USA BRANCH  
contardi-usa.com

Copyright and/or design rights subsist in this drawing. No part of this drawing may be reproduced in any material form (including photocopying or storing in any medium electronic means, whether or not intentionally and whether or not as part or a larger publication) without the express permission of the copyright owner, Contardi Lighting S.r.l.. Further and without prejudice to the above, this drawing and all information relating thereto is confidential, and shall not be communicated to a third party without the consent of Contardi lighting srl. Contardi Lighting Srl asserts all rights to be identified as the author of the work and otherwise.

WARNING: The doing of any unauthorised act in relation to a copyright work may result in both a civil claim for damages and criminal prosecution.